

ADI



Price List
10 • 2022



ART DESIGN INTERNATIONAL INC.

3450, 1^{re} Rue

St-Hubert (Québec) J3Y 8Y5

T 450.926.1004 • 800.663.6794

Table of contents

Collections	3-5
Terms of sale	6-7
Technical information	8-9
Spare parts prices	10-11
Armrests	12
Mechanisms	13

Collections

Office area

Ace

Arriva

Art deco

Bravo

Cat

Clover/Camelia

Colori

Desire

Ergo-medic

Everest

Finesse

Flex

Golf

Lab

Lynx

Malla

Miniflex

Next

Ovation

Penta

Scorpio

Sensaflex

Tact

Top

Viva

Voilà

Wave

Zest

Lounge and waiting area

Connect

Sano

Mars 1.0

Mars 2.0

Maya

Venus

Tables

Collections	Ergonomic	Executive	Conference	Multi-purpose	Lounge and waiting area	Heavy duty	Bariatric	Pages
Ace	✓		✓					14-17
Arriva				✓	✓			18-21
Art deco	✓	✓	✓			✓		22-27
Bravo	✓	✓	✓	✓				28-33
Cat				✓	✓		✓	34-39
Clover/Camelia				✓	✓			40-43
Colori			✓	✓				44-47
Desire	✓	✓	✓			✓		48-53
Ergo-medic				✓	✓			54-57
Everest	✓	✓				✓	✓	58-61
Finesse				✓	✓		✓	62-65
Flex	✓	✓	✓			✓		66-71
Golf				✓	✓			72-75
Lab				✓				76-79
Lynx	✓	✓	✓			✓		80-85
Malla	✓		✓	✓				86-91
Miniflex				✓	✓			92-95
Next	✓	✓	✓			✓		96-101
Ovation	✓	✓	✓					102-107
Penta			✓	✓	✓			108-111
Scorpio	✓	✓	✓					112-115
Sensaflex	✓	✓	✓			✓		116-121
Tact	✓	✓	✓	✓	✓			122-127
Top	✓	✓	✓			✓		128-133
Viva	✓	✓	✓			✓		134-139
Voilà	✓	✓	✓	✓		✓		140-145
Wave	✓		✓	✓				146-151
Zest				✓				152-155
Connect					✓	✓	✓	158-163
Sano					✓			164-167
Mars 1.0					✓			168-173
Mars 2.0					✓			174-179
Maya					✓			180-183
Venus					✓			184-187
Tables					✓			188-191

PRICE

Prices shown in this list are suggested retail, taxes extra, and are subject to change without notice. Depending on destination and product, shipping and installation fees can apply as described in the freight policy available from our customer service department. Unless otherwise specified, these fees are not included for parts orders.

TERMS

For customers with an approved credit line, payment terms are Net 30 days from date of invoice. Overdue accounts will be subject to 2% monthly interest charge. ADI reserves the right to withhold or refuse any order for customers with overdue accounts.

ORDERS

For every order received, an acknowledgment is sent to the customer, who is responsible for validating the accuracy of its order and notifying ADI of any required changes within two (2) days. For any modification or cancellation requested after this two-day period, ADI reserves the right to claim costs incurred at the time of modification or cancellation.

STORAGE

ADI reserves the right to charge storage fees for any order that cannot be received by the customer following the agreed delivery date.

CLAIMS AND RETURNS OF MERCHANDISE

Claims for incomplete orders or damaged merchandise must be submitted within seven (7) days following delivery. In the case of shipments where damage is obvious, customers must refuse delivery until the carrier has written the nature of the observation on the bill of lading. No merchandise can be returned without ADI's written consent and shipping instructions. Authorized returns will be shipped prepaid by the customer and will entail a handling and inspection charge of 25% of the invoice price. Only merchandise in perfect and unused condition will be accepted, unless otherwise specified.

SPECIFICATIONS

ADI reserves the right to modify specifications of its products, materials, designs, or accessories, and to discontinue manufacturing of the forementioned without notice. Measurements are approximate and may vary, depending on seat and backrest adjustments, foam compression and/or upholstery type, by up to 1/2" ou 12mm.

GUARANTEE

ADI offers a ten (10) year warranty on its products against all manufacturing defects, excluding:

- Seat and backrest upholstery (catalog products) : two (2) years
- Intensive use, more specifically more than eight (8) hours per day : three (3) years

This warranty is not transferable and does not apply to the following situations:

- Failure resulting from normal wear and tear.
- Damages resulting from product abuse, misuse or extreme conditions.
- Damages incurred during transportation or storage post-delivery
- Products modified or altered.
- C.O.M. and other upholstery not included in standard ADI program.
- Upholstery color matching to samples or prior purchases.
- Minor irregularities of color, surface, grain or texture, and leather natural marks.

REFLEX PROGRAM

ADI offers fast production program (within 10 days), which allow to order up to ten (10) chairs of the following models:

- Bravo BR-H
- Flex FX-H, FX-D
- Malla ML-H
- Tact TA-H, TA-D
- Top TP-H, TP-D
- Viva VI-H, VI-D
- Wave WE-H
- Arriva AV-4
- Cat CA-2, CA-4
- Miniflex MX-2S, MX-4S
- Penta PN-4, PN-L

Fabric offer for the Reflex program consists in the following selection:

Genesis (geosheard.com)

- GS101 Poplar (beige)
- GS304 Chianti (rouge)
- GS404 Atmosphere (bleu)
- GS802 Moonwalk (gris)
- GS903 Flint (noir)

Challenger (ennisfabrics.com)

- 17 Garnet (rouge)
- 30 Denim blue (bleu)
- 605 Cream (beige)
- 908 Chinchilla (gris)
- 909 Raven (noir)

Product offering, fabrics and other terms may change without notice. Please validate the conditions in force when placing an order by visiting our website: adi-artdesign.com

FREIGHT CHARGES APPLICABLE ON EVERY REFLEX ORDER

* (delivered to the dealer)

Greater Montréal area:	50\$ per chair
Rest of Québec*:	100\$ per chair
Canada (excluding Québec)* :	150\$ per chair
USA :	200\$ per chair

FABRIC GRADES

The price differential is consistent between fabric grades. When establishing a price for a chair with a grade higher than E, multiply the difference between 2 fabric grades, by the number of letters between E and the desired grade. Add this amount to the price of grade E.

For example, if the difference between two grades is 25\$, and the E grade price is 300\$, the grade J would be at 425\$ (5x25=125\$)

GAS LIFTS

The chart below shows the standard gas lift for each mechanism, as well as the seat height adjustment range. In certain cases, a mechanism with seat slider will require a different gas lift. To order a different gas lift than the standard one, specify the alternate code on the order. For all products offered with a single mechanism, please refer to the measures chart presented in each collection.

Cylinder number	Measures	B ⁽¹⁾	E	K	MF	P	S	T	Z	SY
80 mm	Low	15 ^{1/2}	14 ^{1/2}	17 ^{1/2}	16	17 ^{1/2}	15	15	15	16
	High	18 ^{1/2}	17 ^{1/2}	20 ^{1/2}	19	20 ^{1/2}	18	18	18	19
100 mm	Low	17	15 ^{1/2}	18 ^{1/2}	17 ^{1/2}	18 ^{1/2}	16	16	16	17 ^{1/2}
	High	20 ^{1/2}	19	22	21	22	19 ^{1/2}	19 ^{1/2}	19 ^{1/2}	21
120 mm	Low	18	16 ^{1/2}	19 ^{1/2}	18 ^{1/2}	19 ^{1/2}	17	17	17	18 ^{1/2}
	High	23	21 ^{1/2}	24 ^{1/2}	23 ^{1/2}	24 ^{1/2}	22	22	22	23 ^{1/2}
140 mm	Low		17	20	18 ^{3/4}	20	17 ^{1/2}	17 ^{1/2}	17 ^{1/2}	20
	High		22 ^{3/4}	25 ^{3/4}	24	25 ^{3/4}	23 ^{1/4}	23 ^{1/4}	23 ^{1/4}	25 ^{3/4}
200 mm	Low		20				20 ^{1/2}			
	High		28				28 ^{1/2}			
250 mm	Low		23 ^{3/4}				24 ^{1/4}			
	High		33 ^{3/4}				34 ^{1/4}			

 Standard cylinder

— With seat slider, if different

*With seat slider, add 1/2" to measurements for F and Y mechanisms; for others, add 1".

*For NX and LX models, add 1" to the low and high measures.

(1) For Everest, see specifications on product pages.

CALIFORNIA 133 STANDARD

ADI products can be made to comply to the California 133 standard. When needed, specify 133 at the end of the chair code on the order, and add \$150 to the retail price. All upholstery material meeting the CAL 117 standard can be used for the CAL 133 standard.

- 13 Width and height adjustable, armpads with black vinyl upholstery : \$205
- 26 Fixed, urethane armpads : \$250

ELECTROSTATIC DISCHARGE PRODUCTS (ESD)

All ergonomic chairs can be made ESD compliant. Static charge build-up is dissipated through ESD fabric and the unique ADI all steel frame, aluminum base, ESD casters and a drag chain attached to the cylinder.

ESD fabrics contain 1% conductive carbon fiber. Contact customer service to know what fabrics are available. To order, specify ESD at the end of the chair code and add \$210 to the grade E list price. The only available armrests are #26 (#27 with a special coating) at \$250.

C.O.M. (CUSTOMER'S OWN MATERIAL) AND C.O.L. (CUSTOMER'S OWN LEATHER) UPHOLSTERY

C.O.M. and C.O.L. product orders must be written clearly and state the color and source of material. The quantity required for each model is shown in the price list for a 54"-wide (1,4 m) piece of non-directional fabric or vinyl. For leathers (C.O.L.), contact customer service.

A 12" x 12" (305 x 305 mm) sample must be sent to ADI for examination, acceptance and, in the case of repeated pattern materials and C.O.L., calculation of the required quantity.

ADI declines any responsibility for the quality and durability of any material that is not part of its standard program, whether the material is supplied by the customer or by ADI (on specification by the customer).

SPARE PARTS PRICES

	Code	Unit price
Armrests		
Piece to lower the armrests by 1"	PB1	35
Standard pad	P01	35
Contoured pad	P02	50
Gel pad	P03	60
Contoured gel pad	P04	75
Backrest		
2" extended back upright	HPB2	55
4" extended back upright	HPB4	110
gas lifts		
80 mm gas lift	80	55
Heavy duty 80 mm gas lift	80HD	85
100 mm gas lift	100	55
Heavy duty 100 mm gas lift	100HD	85
120 mm gas lift	120	55
Heavy duty 120 mm gas lift	120HD	85
140 mm gas lift	140	85
200 mm gas lift	200C	85
Heavy duty 200 mm gas lift	200HD	110
250 mm gas lift	250C	85
Heavy duty 250 mm gas lift	250HD	110
Adjustable footring	FR	110

	Code	Unit price
Casters		
Carpet caster (for bases)	HW	10
Hard surface caster (for bases)	SW	10
Hard surface caster (for frames)	CA	10
Caster (for frames)	SCA	12
Darcor caster	C-DA	85
Carpet surface brake caster, seated	C-BCHW	45
Hard surface brake caster, seated	C-BCSW	45
Carpet caster, standing	C-RBCHW	45
Hard surface brake caster, standing	C-RBCSW	45
3" heavy duty casters	C-IC	12
Hard surface 3" heavy duty caster	C-ICSW	18
Glides		
Glides instead of casters	GL	12
Nylon caps over glides for hard surfaces	NG	12
Accessories		
Ground fasteners (for 4)	FAS	25
Ganging elements (for 2)	GSS	20

SEATS AND BACKRESTS

For most of our models, seats and backrests can be replaced at the customer's premises or at our factory. Prices indicated do not include delivery nor installation fees.

	Grade	A	B	C	D	E	Leather
Art Deco, Desire, Everest, Flex, Lynx, Next, Ovation, Sensaflex, Top, Viva	250	280	310	340	370	870	
Seat	230	260	290	320	350	850	
Low backrest (L)	250	280	310	340	370	870	
High backrest (H)	270	300	330	360	390	890	
Director backrest (D)	290	320	350	380	410	910	
Executive backrest (E)							
Scorpio							
Seat and backrest	550	590	630	670	710	1310	
Ace, Bravo, Malla, Tact, Voilà, Wave, Zest							
Seat	250	270	290	310	330	630	
Backrest (when applicable)	250	270	290	310	330		
Cat, Finesse, Miniflex, Ocelot							
Seat	200	220	240	260	280		
Backrest (when applicable)	220	240	260	280	300		

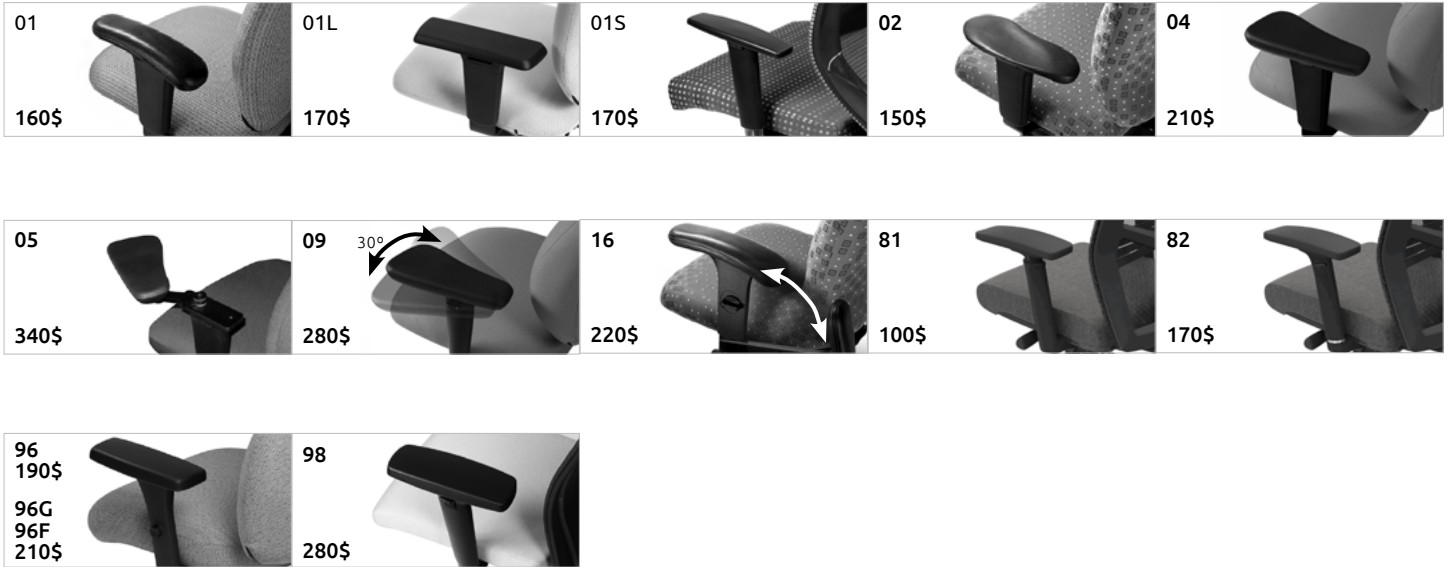
SLIPCOVERS

For most of our models, slipcovers can be replaced at the customer's premises or at our factory. We recommend to have an experienced technician, if a slipcover replacement is to be executed at the customer's premises. Prices indicated do not include delivery nor installation fees.

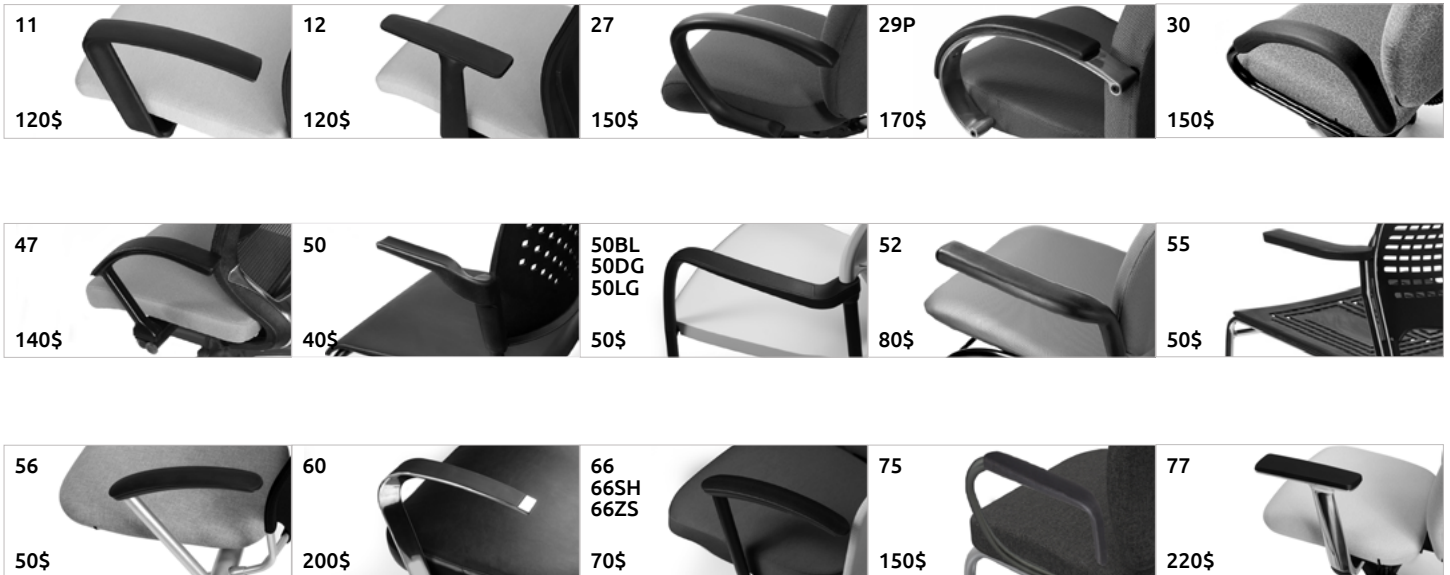
	Grade	A	B	C	D	E	Leather
Art Deco, Desire, Everest, Flex, Lynx, Next, Ovation, Sensaflex, Top, Viva							
Seat		150	180	210	240	270	770
Low backrest (L)		110	140	170	200	230	730
High backrest (H)		130	160	190	220	250	750
Director backrest (D)		150	180	210	240	270	770
Executive backrest (E)		180	210	240	270	300	800
Scorpio							
Seat and backrest		260	300	340	380	420	1020
Ace, Bravo, Malla, Tact, Voilà, Wave, Zest							
Seat		150	170	190	210	230	530
Backrest (when applicable)		150	170	190	210	230	
Cat, Finesse, Miniflex, Ocelot, Zest							
Seat		120	140	160	180	200	
Backrest (when applicable)		130	150	170	190	210	

Armrests

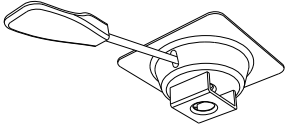
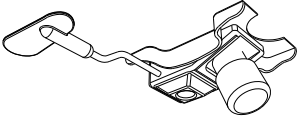
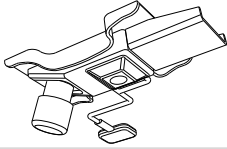
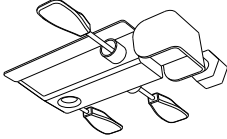
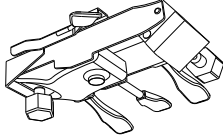
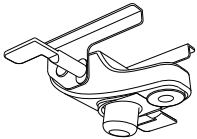
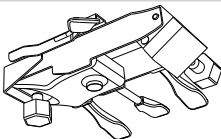
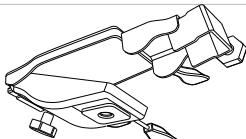
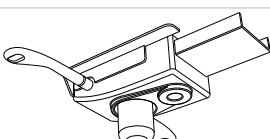
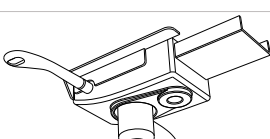
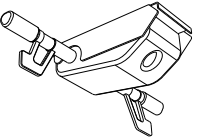
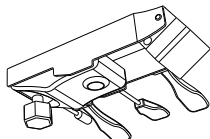
Adjustable



Fixed



Mechanisms

	S	Swivel, tilt, seat height adjustment
	H	Swivel, tilt, 0° lock, seat height adjustment
	Z	Swivel, synchro tilt 2:1, 0° lock, seat height adjustment
	E	Swivel, tilt, seat height and angle adjustment and backrest angle adjustment
	MF	Swivel, tilt, lock, seat height and backrest angle adjustment
	K	Swivel, knee tilt, lock, seat height adjustment
	SS	Swivel, tilt, lock, seat height adjustment and backrest angle adjustment, seat slider
	P	Swivel, knee tilt, lock, seat height and backrest angle adjustment
	X	Swivel, synchro tilt 2:1, 4 position lock, seat height adjustment
	SX	Swivel, synchro tilt 2:1, 4 position lock, seat height adjustment, seat slider
	SY	swivel, synchro tilt 2:1, 4 position lock, seat slider, seat height adjustment
	B	24/7 use, tilt, lock, seat height and backrest angle adjustment

Ace

Seat made of plywood and high resilience polyurethane moulded foam. Backrest with ratchet and lumbar support both height adjustable. Mesh backrest available in 9 colors.



Collection

Ergonomic



AC-H

AC-H

COM

	A	B	C	D	E	LEATHER
H	720	740	760	780	800	1020
SY	850	870	890	910	930	1150



High backrest

MECHANISMS

H	Swivel, tilt, 0° lock, seat height adjustment
SY	Swivel, synchro tilt 2:1, 4 position lock, seat slider, seat height adjustment

GAS LIFTS

80	Gas lift 80 mm	-
100	Gas lift 100 mm	-
120	Gas lift 120 mm	-

ARMRESTS

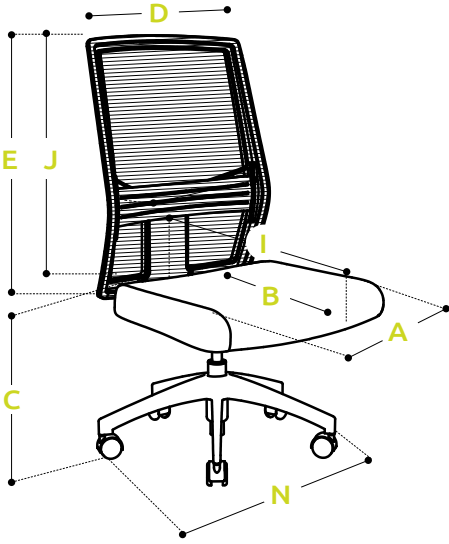
Adjustable	81	Height, depth, pivot	100
	82	Height, depth, width, pivot (only with SY mech.)	170

BASES AND CASTERS

HBL	Black nylon, high hub	Standard
HAL	Polished aluminium, high hub	120
HW	Carpet casters	Standard
SW	Hard surface casters	15

MESH COLORS

MN	Black	Standard
MG	Grey	25
MK	Nickel	25
MM	Navy	25
ME	Electric	25
MC	Ocean	25
MV	Green	25
MR	Red	25
MO	Orange	25



Measures	A	B*	C	D	E	I	J*	N	Weight	Volume	COM
AC-H	18 ^{1/2}	18 ^{1/2}	17-22	18	24 ^{1/2}	19 ^{1/2}	23 - 25	24	36	16	1.0
	47	47	43 - 56	46	62	50	58 - 64	60	16.3	1.5	0.9

*B and J are respectively the effective depth of the seat and the effective height of the backrest

Imperial system (inches - pounds - cubic feet - yards)

Metric system (centimeters - kilograms- cubic meters- meters)

Arriva

Collection of 4 multi-purpose models made with steel tubing frame. Seat and backrest made of black, dark grey or white polypropylene. Many available options including seat and backrest upholstery and a trolley.



Collection

Multi-purpose



AV-4



AV-L

Stool



AV-7



AV-8

Trolley



AV-20

AV-4

AV-4 380



Stackable four-leg frame
Glides

AV-7

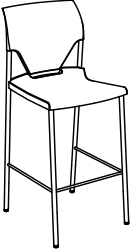
AV-7 450



Counter heigh stool
Glides

AV-8

AV-8 460

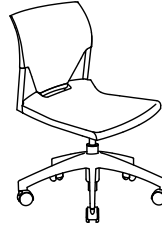


Counter heigh stool
Glides

AV-L

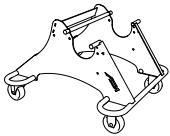
S 520

H 540



AV-20

AV-20 500



Trolley
Capacity for 7 chairs

SEATS

PLBL	Black plastic	Standard
PLDG	Dark grey plastic	-
PLWH	White plastic	-

GAS LIFTS

80	Gas lift 80 mm	-
100	Gas lift 100 mm	-
120	Gas lift 120 mm	-
140	Gas lift 140 mm	30
200	8" stool kit	160
250	10" stool kit	160

ARMRESTS

Adjustable	01L	Height, width, soft pad (AV-L)	170
	01S	Height, width, S pad (AV-L)	170
Fixed	50BL	Polypropylene black (AV-4)	50
	50DG	Polypropylene dark grey (AV-4)	50
	50LG	Polypropylene pale grey (AV-4)	50
	66	Black sandex frame with fixed PVC arms (AV-L)	70

FRAME FINISHES

C	Chrome (AV-4)	80
C	Chrome (AV-7, AV-8)	100
BL	Black	Standard
SX	Black sandex	-
CH	Charcoal grey	-
SG	Metallic grey	-
PA	Chrome paint (minimum of 10 chairs)	60
<i>Other finishes available upon request</i>		

BASES AND CASTERS

SBL	Black nylon	Standard
HBL	Black nylon, high hub	-
AL	Polished aluminium	120
HAL	Polished aluminium, high hub	120
HW	Carpet casters	Standard
SW	Hard surface casters	15
GL	Glides instead of casters	15
CA	Casters (AV-4)	20
SCA	Hard surface casters (AV-4)	30

SEAT AND BACKREST

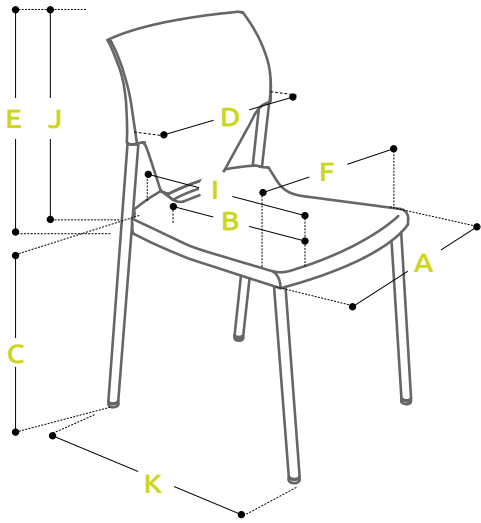
	Code	A	B	C	D	E	COM
Upholstered backrest 15" L x 6" P x 3/4" H	CPB	120	140	160	180	200	0.9
Upholstered seat 15" L x 14" P x 3/4" H	CPS	120	140	160	180	200	0.9

ACCESSORIES

GAV	Ganging elements (for 2)	30
-----	--------------------------	----

SEALED STITCHES

CSC	All models	150
-----	------------	-----



Measures	A	B*	C	D	E	I	J*	F	K	Weight	Volume
AV-4	16 ^{1/2}	16 ^{1/2}	18	17 ^{1/2}	15	18 ^{1/2}	16	22 ^{1/2}	21	16	10
	42	42	46	44	38	47	41	57	53	7.2	0.9
AV-7	16 ^{1/2}	16 ^{1/2}	18	17 ^{1/2}	15	18 ^{1/2}	16	22 ^{1/2}	21	17	11
	42	42	46	44	38	47	41	57	53	7.7	1
AV-8	16 ^{1/2}	16 ^{1/2}	30	17 ^{1/2}	15	18 ^{1/2}	16	22 ^{1/2}	21	18	13
	42	42	76	44	38	47	41	57	53	8.16	1.2
AV-L	16 ^{1/2}	16 ^{1/2}	17 - 22	17 ^{1/2}	15	18 ^{1/2}	16	26	24	27	9
	42	42	43 - 56	44	38	47	41	66	60	12.2	0.8
AV-20	22	-	24	-	-	27	-	24	24	30	9
	56	-	60	-	-	69	-	60	60	13.6	0.8

*B and J are respectively the effective depth of the seat and the effective height of the backrest

Imperial system (inches - pounds - cubic feet - yards)

Metric system (centimeters - kilograms- cubic meters- meters)

Art deco

Collection of 4 ergonomic models. Seat and backrest made of steel tubing with moulded and cut foam and upholstered using the Suspension technique. Seat slip covers equipped with zippers to allow for easy replacement. Many available options including an inflatable lumbar support and multiple seat sizes.



Collection

Director



AD-D



AD-E

Ergonomic



AD-L



AD-H

AD-L



Low backrest

		COM					
	A	B	C	D	E	LEATHER	
S	740	770	800	830	860	1240	
H	760	790	820	850	880	1260	
Z	780	810	840	870	900	1280	
E	840	870	900	930	960	1340	
MF	860	890	920	950	980	1360	
SS	920	950	980	1010	1040	1420	
SY	890	920	950	980	1010	1420	

AD-H



High backrest

		COM					
	A	B	C	D	E	LEATHER	
S	780	810	840	870	900	1280	
H	800	830	860	890	920	1300	
Z	820	850	880	910	940	1320	
E	880	910	940	970	1000	1380	
MF	900	930	960	990	1020	1400	
SS	960	990	1020	1050	1080	1460	
SY	930	960	990	1020	1050	1430	
K	900	930	960	990	1020	1400	
P	1380	1410	1440	1470	1500	1880	
B	1280	1310	1340	1370	1400	1780	

AD-D



Director backrest

		COM					
	A	B	C	D	E	LEATHER	
S	820	850	880	910	940	1320	
H	840	870	900	930	960	1340	
Z	860	890	920	950	980	1360	
E	920	950	980	1010	1040	1420	
MF	940	970	1000	1030	1060	1440	
SS	1000	1030	1060	1090	1120	1500	
SY	970	1000	1030	1060	1090	1470	
K	940	970	1000	1030	1060	1440	
P	1420	1450	1480	1510	1540	1920	
B	1320	1350	1380	1410	1440	1820	

AD-E



Executive backrest

		COM					
	A	B	C	D	E	LEATHER	
S	860	890	920	950	980	1360	
H	880	910	940	970	1000	1380	
Z	900	930	960	990	1020	1400	
E	960	990	1020	1050	1080	1460	
MF	980	1010	1040	1070	1100	1480	
SS	1040	1070	1100	1130	1160	1540	
SY	1010	1040	1070	1100	1130	1510	
K	980	1010	1040	1070	1100	1480	
P	1460	1490	1520	1550	1580	1960	
B	1360	1390	1420	1450	1480	1860	

MECHANISMS

S	Swivel, tilt, seat height adjustment
H	Swivel, tilt, 0° lock, seat height adjustment
Z	Swivel, synchro tilt 2:1, 0° lock, seat height adjustment
E	Swivel, tilt, seat height and angle adjustment and backrest angle adjustment
MF	Swivel, tilt, lock, seat height and backrest angle adjustment
SS	Swivel, tilt, lock, seat height and backrest angle adjustment, seat slider
SY	Swivel, synchro tilt 2:1, 4 position lock, seat slider, seat height adjustment
K	Swivel, knee tilt, lock, seat height adjustment
P	Swivel, knee tilt, lock, seat height and backrest angle adjustment
B	24/7 use, tilt, lock, seat height and backrest angle adjustment

BACKREST

SPB	Regular back upright	Standard
RB	Ratchet backrest (standard with B & SY mech.)	80
HPB2	2" extended back upright	30
HRB	2" extended back upright (ratchet)	30

GAS LIFTS

80	Gas lift 80 mm	-
100	Gas lift 100 mm	-
120	Gas lift 120 mm	-
140	Gas lift 140 mm	30
200	8" stool kit (mech. S, backrests H)	160
250	10" stool kit (mech. S, backrests H)	160

SEAT

R	Regular seat	Standard
L	Large seat, 21" L x 20" P	60
S	Small seat, 19" L x 18" P	60

ARMRESTS

	01	Height, width, standard pad	160
	01L	Height, width, soft pad	170
	01S	Height, width, S pad	170
	02	Height, width, contoured pad	150
	04	Height, width, contoured gel pad	210
	05	Height, width, multi-pivot, contoured gel pad	340
Adjustable	09	Height, width, pivot, contoured gel pad	280
	96	Height, width, depth, pivot, polyurethane pad	190
	96F	Height, width, depth, polyurethane pad	210
	96G	Height, width, depth, pivot, soft pad	210
	98	Height, width, depth, lockable pivot, polyurethane pad	280
	FB	Front/back slider (#01,01L,02,03,04,07,08,09)	50
	H	11/2" longer structure (#01,01L,02,03,04,05)	45

ARMRESTS

	11	Polypropylene, C shape	120
	12	Polypropylene, T shape	120
	27	Polyurethane, C shape	150
Fixed	30	Polyurethane and black metal, closed C shape	150
	47	Polyurethane and black metal, C shape	140
	60	Polished aluminum, C shape with polyurethane insert	200
	77	Polished aluminum, T shape with polyurethane pad	220

BASES AND CASTERS

SBL	Black nylon	Standard
HBL	Black nylon, high hub	-
AL	Polished aluminium	120
HAL	Polished aluminium, high hub	120
HW	Carpet casters	Standard
SW	Hard surface casters	15
IC	3" heavy duty casters for carpet	50
ICSW	3" heavy duty casters for hard surfaces	65
GL	Glides instead of casters	15

BACKREST OPTION

LU	Inflatable lumbar support	100
----	---------------------------	-----

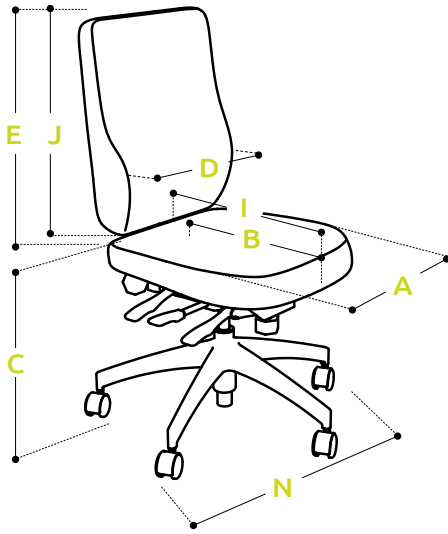
SEAT OPTION

PS	Pressure sensitive foam (Reg. & L seats)	100
----	--	-----

SEALED STITCHES

CSC	All models	150
-----	------------	-----

Art Deco



Measures	A	B*	C	D	E	I	J*	N	Weight	Volume	COM
AD-L	20	18 ^{1/2}	17-22	16	16	19 ^{1/2}	15-18	24	50	15	1.4
	51	47	43 - 56	40	40	50	38 - 46	60	22.7	1.4	1.3
AD-H	20	18 ^{1/2}	17-22	16	21	19 ^{1/2}	20-23	24	50	16	1.5
	51	47	43 - 56	40	53	50	51 - 58	60	22.7	1.5	1.4
AD-D	20	18 ^{1/2}	17-22	16	27	19 ^{1/2}	26-29	26	55	18	1.8
	51	47	43 - 56	40	69	50	66 - 74	66	25	1.7	1.7
AD-E	20	18 ^{1/2}	17-22	16	30	19 ^{1/2}	29-32	26	59	20	1.9
	51	47	43 - 56	40	76	50	74 - 81	66	28.8	1.9	1.8

*B and J are respectively the effective depth of the seat and the effective height of the backrest

Imperial system (inches - pounds - cubic feet - yards)

Metric system (centimeters - kilograms- cubic meters- meters)

Bravo

Collection of 4 ergonomic and 4 multi-purpose models. Seat made of steel tubing with moulded foam and upholstered using the Suspension technique. Backrest made of black polypropylene and several mesh colors. The mesh can also be covered with fabric to match the seat. Seat slip covers equipped with zippers to allow for easy replacement. Many available options including a height adjustable lumbar support and multiple seat sizes.



Collection

Director



BR-E



BU-E

Ergonomic



BR-H



BU-H

Multi-purpose



BR-H-4




BR-H-6





BU-H-4




BU-H-6

BR-H		COM					LEATHER
		A	B	C	D	E	
 <p>High backrest Mesh backrest Adjustable lumbar support</p>	S	720	740	760	780	800	1020
	H	740	760	780	800	820	1040
	X	810	830	850	870	890	1110
	SX	840	860	880	900	920	1140
	K	840	860	880	900	920	1140

BR-E		COM					LEATHER
		A	B	C	D	E	
 <p>Executive backrest Mesh backrest Adjustable headrest Adjustable lumbar support</p>	S	800	820	840	860	880	1100
	H	820	840	860	880	900	1120
	X	890	910	930	950	970	1190
	SX	920	940	960	980	1000	1220
	K	920	940	960	980	1000	1220

BU-H		COM					LEATHER
		A	B	C	D	E	
 <p>High backrest Mesh backrest covered with fabric Adjustable lumbar support</p>	S	800	820	840	860	880	1100
	H	820	840	860	880	900	1120
	X	890	910	930	950	970	1190
	SX	920	940	960	980	1000	1220
	K	920	940	960	980	1000	1220

BU-E		COM					LEATHER
		A	B	C	D	E	
 <p>Executive backrest Mesh backrest covered with fabric Adjustable headrest Adjustable lumbar support</p>	S	880	900	920	940	960	1180
	H	900	920	940	960	980	1200
	X	970	990	1010	1030	1050	1270
	SX	1000	1020	1040	1060	1080	1300
	K	1000	1020	1040	1060	1080	1300



BR-H-4



BR-H-6



BU-H-4



BU-H-6

		A	B	C	D	E	LEATHER
BR-H-4	Four-leg frame with casters	650	670	690	710	730	950
BR-H-6	Cantilever frame with glides and 56 armrests	720	740	760	780	800	1020
BU-H-4	Four-leg frame with casters	690	710	730	750	770	990
BU-H-6	Cantilever frame with glides and 56 armrests	760	780	800	820	840	1060

MECHANISMS

S	Swivel, tilt, seat height adjustment	
H	Swivel, tilt, 0° lock, seat height adjustment	
X	Swivel, synchro tilt 2:1, 4 position lock, seat height adjustment	
SX	Swivel, synchro tilt 2:1, 4 position lock, seat height adjustment, seat slider	
K	Swivel, knee tilt, lock, seat height adjustment	

GAS LIFTS

80	Gas lift 80 mm	-
100	Gas lift 100 mm	-
120	Gas lift 120 mm	Standard
140	Gas lift 140 mm	30
200	8" stool kit (mech. S, backrests H)	160
250	10" stool kit (mech. S, backrests H)	160

SEAT

R	Regular seat	Standard
L	Large seat, 21" L x 20" P	60
S	Small seat, 19" L x 18" P	60

ARMRESTS

	01	Height, width, standard pad	160
	01L	Height, width, soft pad	170
	01S	Height, width, S pad	170
	02	Height, width, contoured pad	150
	04	Height, width, contoured gel pad	210
	05	Height, width, multi-pivot, contoured gel pad	340
Adjustable	09	Height, width, pivot, contoured gel pad	280
	96	Height, width, depth, pivot, polyurethane pad	190
	96F	Height, width, depth, polyurethane pad	210
	96G	Height, width, depth, pivot, soft pad	210
	98	Height, width, depth, lockable pivot, polyurethane pad	280
	FB	Front/back slider (#01,01L,02,03,04,07,08,09)	50
	H	1 1/2" longer structure (#01,01L,02,03,04,05)	45
	11	Polypropylene, C shape	120
	12	Polypropylene, T shape	120
	27	Polyurethane, C shape	150
Fixed	30	Polyurethane and black metal, closed C shape	150
	47	Polyurethane and black metal, C shape	140
	60	Polished aluminum, C shape with polyurethane insert	200
	77	Polished aluminum, T shape with polyurethane pad	220

FRAME FINISHES *(Options for models 4-6)*

SX	Black sandex	-
C	Chrome	100

Other finishes available upon request

BASES AND CASTERS

SBL	Black nylon	Standard
HBL	Black nylon, high hub	-
AL	Polished aluminium	120
HAL	Polished aluminium, high hub	120
HW	Carpet casters	Standard
SW	Hard surface casters	15
IC	3" heavy duty casters for carpet	50
ICSW	3" heavy duty casters for hard surfaces	65
GL	Glides instead of casters	15

SEAT OPTION

PS	Pressure sensitive foam (Reg. & L seats)	100
----	--	-----

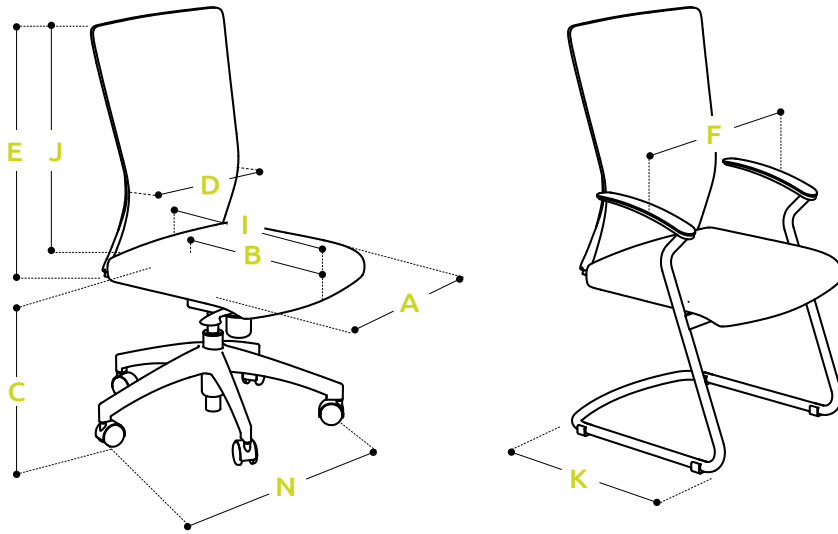
BACKREST MESH COLORS

SHX01	Black (standard Bravo)	Standard
SHX10	Grey (standard Bravo)	-
SHX20	White (standard Bravo)	-
MN	Black	-
MG	Grey	-
MK	Nickel	-
MM	Navy	-
ME	Electric	-
MC	Ocean	-
MV	Green	-
MR	Red	-
MO	Orange	-

SEALED STITCHES

CSC	All models	150
-----	------------	-----

Bravo



Measures	A	B*	C	D	E	F	I	J*	N	K	Weight	Volume	COM
BR-H	19	18 ^{1/2}	17-22	18	25	-	19 ^{1/2}	21 ^{1/2}	24	-	41	14	1.0
	48	47	43-56	46	64	-	50	55	61	-	18.6	0.4	0.84
BR-E	19	18 ^{1/2}	17-22	18	25	-	19 ^{1/2}	21 ^{1/2}	26	-	44	18	1.0
	48	47	43-56	46	64	-	50	55	66	-	20	0.5	0.84
BU-H	19	18 ^{1/2}	17-22	18	25	-	19 ^{1/2}	21 ^{1/2}	24	-	43	14	1.0
	48	47	43-56	46	64	-	50	55	61	-	19.5	0.4	0.84
BU-E	19	18 ^{1/2}	17-22	18	25	-	19 ^{1/2}	21 ^{1/2}	26	-	46	18	1.0
	48	47	43-56	46	64	-	50	55	66	-	20.8	0.5	0.84
BR-H-4	19	18 ^{1/2}	18	18	25	-	19 ^{1/2}	21 ^{1/2}	-	22	25	14	1.0
	48	47	46	46	64	-	50	55	-	56	11.3	0.4	0.84
BR-H-6	19	18 ^{1/2}	18	18	25	21 ^{1/2}	19 ^{1/2}	21 ^{1/2}	-	22	33	14	1.0
	48	47	46	46	64	55	50	55	-	56	15	0.4	0.84
BU-H-4	19	18 ^{1/2}	18	18	25	-	19 ^{1/2}	21 ^{1/2}	-	22	27	14	1.0
	48	47	46	46	64	-	50	55	-	56	12.2	0.4	0.84
BU-H-6	19	18 ^{1/2}	18	18	25	21 ^{1/2}	19 ^{1/2}	21 ^{1/2}	-	22	35	14	1.0
	48	47	46	46	64	55	50	55	-	56	15.8	0.4	0.84

*B and J are respectively the effective depth of the seat and the effective height of the backrest

Imperial system (inches - pounds - cubic feet - yards)

Metric system (centimeters - kilograms - cubic meters - meters)



Cat

Collection of 6 multi-purpose models, two of which built for the big and tall user, with a 500 lbs rated capacity. Seat and backrest made of steel tubing with moulded and cut foam and upholstered using the Suspension technique. Backrest also offered with a black, grey or white mesh. Seat slip covers equipped with zippers to allow for easy replacement. Many available options including a wide choice of frame finishes.



Collection

Multi-purpose



CA-2



CA-4



CH-2



CH-4



CB-2



CB-4



CA-20

CA-2

A	B	C	D	E	LEATHER
470	500	530	560	590	970



Sled frame
Glides
Upholstered backrest

CA-4

A	B	C	D	E	LEATHER
470	500	530	560	590	970



Four-leg frame
Glides
Upholstered backrest

CH-2

A	B	C	D	E	LEATHER
420	440	460	480	500	720



Sled frame
Glides
Mesh backrest

CH-4

A	B	C	D	E	LEATHER
420	440	460	480	500	720



Four-leg frame
Glides
Mesh backrest

CB-2

A	B	C	D	E	LEATHER
700	740	770	800	830	



Sled frame
Glides
Upholstered backrest

CB-4

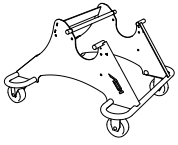
A	B	C	D	E	LEATHER
700	740	770	800	830	



Four-leg frame
Glides
Upholstered backrest

CA-20

550



Trolley

Capacity for 20 chairs (CA-2-4, CH-2-4)

FRAME FINISHES

C	Chrome	80
BL	Black	Standard
SX	Black sandex	-
CH	Charcoal grey	-
SG	Metallic grey	-
PA	Chrome paint (minimum of 10 chairs)	60

Other finishes available upon request

BASES AND CASTERS

LGL	Long glides (CA-2, CH-2)	20
CA	Casters (CA-4, CH-4)	20
SCA	Hard surface casters (CA-4, CH-4)	30

ARMRESTS

52	Black polyurethane - fixed	80
----	----------------------------	----

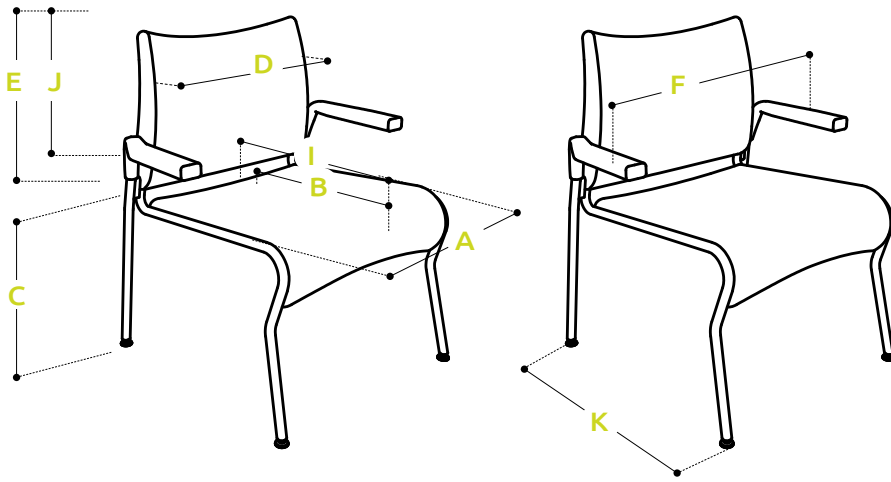
ACCESSORIES

53	Left side flip-up writing tablet made of birch plywood with high pressure laminate	300
54	Right side flip-up writing tablet made of birch plywood with high pressure laminate	300
BLL	Black laminate tablet	-
MAL	Maple laminate tablet	-
HG	Handling grip (CA-2-4)	50
RO	Round upholstered back (CA-2-4)	50
GMX	Ganging elements (for 2)	20

BACKREST

SHX01	Black mesh	Standard
SHX10	Grey mesh	-
SHX20	White mesh	-

Cat



Measures	A	B*	C	D	E	F	I	J*	K	Weight	Volume	COM
CA-2	18	18	18	19	13	24 ^{1/2}	19	15	22	20	12	1.2
	46	46	46	48	33	62	48	38	56	9	1.1	1.1
CA-4	18	18	18	19	13	24 ^{1/2}	19	15	23 ^{1/2}	19	12	1.2
	46	46	46	48	33	62	48	38	59	8.6	1.1	1.1
CH-2	18	18	18	18	14	25	19	16 ^{1/2}	23 ^{1/2}	18	12	1.0
	46	46	46	46	36	64	48	42	59	8.2	1.1	0.9
CH-4	18	18	18	18	14	25	19	16 ^{1/2}	20 ^{1/2}	16	12	1.0
	46	46	46	46	36	64	48	42	52	7.2	1.1	0.9
CB-2	25	18 ^{1/2}	18 ^{1/2}	26	13	33 ^{1/2}	20 ^{1/2}	15	23 ^{1/2}	31	15	1.7
	64	47	47	66	36	85	52	38	59	14	1.4	1.6
CB-2	25	18 ^{1/2}	18 ^{1/2}	26	13	33 ^{1/2}	20 ^{1/2}	15	20 ^{1/2}	30	15	1.7
	64	47	47	66	36	85	52	38	52	13.6	1.4	1.6
CA-20	23	-	20	-	-	23	19	-	29	30	8	-
	58	-	51	-	-	58	48	-	74	13.6	0.7	-

*B and J are respectively the effective depth of the seat and the effective height of the backrest

Imperial system (inches - pounds - cubic feet - yards)

Metric system (centimeters - kilograms- cubic meters- meters)

Clover / Camélia

Collection of 6 multi-purpose models with monoshell and steel tubing construction. Seat and backrest made of maple moulded plywood. Many available options including seat upholstery, a wide choice of frame and wood finishes and a trolley.



Collection

Multi-purpose



CL-4



CL-7



CL-8



CM-4



CM-7



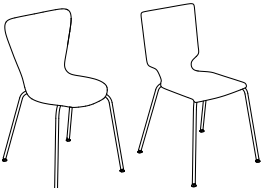
CM-8



CL-20

CL-4 / CM-4

CL-4 / CM-4 460



Stackable sled frame
Glides

CL-8 / CM-8

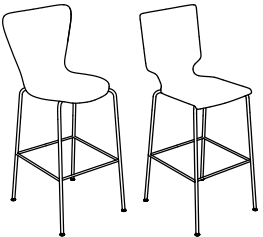
CL-8 / CM-8 530



Counter height stool frame
Glides

CL-7 / CM-7

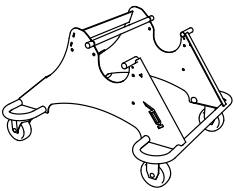
CL-7 / CM-7 540



Bar height stool frame
Glides

CL-20

CL-20 550



Trolley
Capacity for 10 chairs (without
upholstered seat)

Clover / Camélia

FINISHES

065	Natural maple	Standard
AC	Color upon request : minimum of 25 chairs	80
LOC	Laminated (standard products) minimum 25 chairs	120

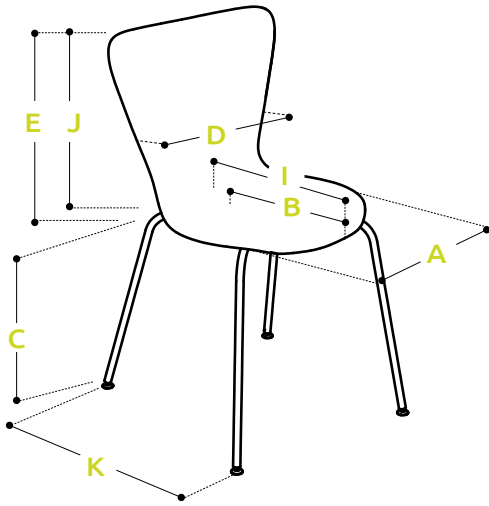
FRAME FINISHES

C	Chrome (CL-4, CM-4)	80
C	Chrome (CL-7-8, CM-7-8)	100
BL	Black	-
SX	Black sandex	-
CH	Charcoal grey	-
SG	Metallic grey	-
PA	Chrome paint (minimum of 10 chairs)	60

Other finishes available upon request

SEAT AND BACKREST

	Code	A	B	C	D	E	COM
Upholstered seat 15" L x 14" P x 3/4" H	CPS	120	140	160	180	200	0.8



Measures	A	B*	C	D	E	I	J*	K	Weight	Volume
CL-4	18	16	18	18	16	17	15	21	17	9
	46	40	46	46	40	43	38	53	7.7	0.8
CL-7	18	16	24	18	16	17	15	21	20	11
	46	40	61	46	40	43	38	53	9	1
CL-8	18	16	30	18	16	17	15	21	22	12
	46	40	76	46	40	43	38	53	10	1.1
CM-4	16	16	18	16	17	17	17	21	17	9
	40	40	46	40	43	43	43	53	7.7	0.8
CM-7	16	16	24	16	17	17	17	21	20	11
	40	40	61	40	43	43	43	53	9	1
CM-8	16	16	30	16	17	17	17	21	22	12
	40	40	76	40	43	43	43	53	10	1.1
CL-20	22	-	24	-	17	27	-	-	30	9
	56	-	60	-	43	69	-	-	13.6	0.8

*B and J are respectively the effective depth of the seat and the effective height of the backrest

Imperial system (inches - pounds - cubic feet - yards)

Metric system (centimeters - kilograms - cubic meters - meters)

Colori

Collection of 5 multi-purpose models made with steel tubing frame, wooden or star base. Seat and backrest made of black, gray, blue, orange, red, yellow or green polypropylene. Many options available including seat upholstery.



Collection

Multi-purpose



CO4R



CO4A



CO4B



COBP



COBE

CO4R

CO4R 330



Four-leg stackable frame
Glides

CO4A

CO4A 330



Four-leg stackable in A frame
Glides

CO4B

CO4B 300



Four-leg wooden frame

COBP

COBP 370



Swivel
Pyramid base

COBE

COBE 370



Swivel, seat height adjustment
Star base

Colori

GAS LIFTS

120	Gas lift 120 mm (COBE)	Standard
100	Gas lift 100 mm (COBE)	-
80	Gas lift 80 mm (COBE)	-

SHELL COLORS

PN	Black plastic	Standard
PG	Grey plastic	-
PB	Blue plastic	-
PO	Orange plastic	-
PR	Red plastic	-
PJ	Yellow plastic	-
PV	Green plastic	-

FRAME FINISHES (CO4R, CO4A)

C	Chrome	80
BL	Black	Standard
SX	Black sandex	-
CH	Charcoal grey	-
SG	Metallic grey	-
PA	Chrome paint (minimum of 10 chairs)	60

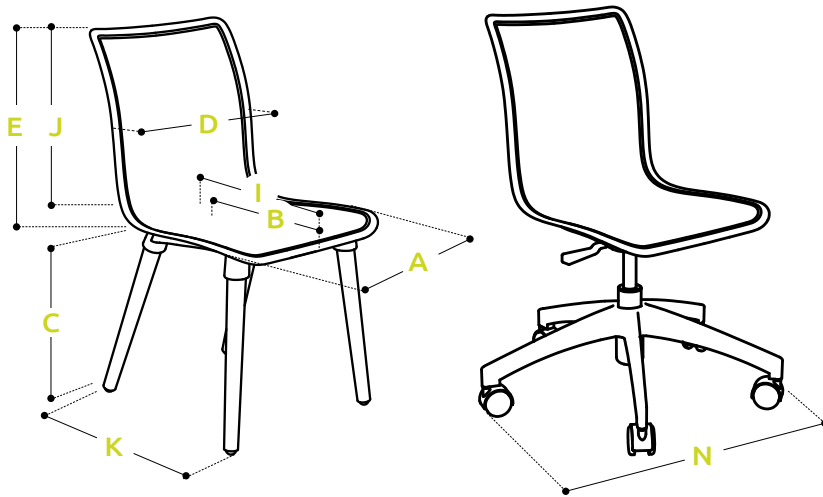
Other finishes available upon request

BASES AND CASTERS

SBL	Black nylon	Standard
HBL	Black nylon, high hub	-
AL	Polished aluminium	120
HW	Carpet casters	Standard
SW	Hard surface casters	15

SEAT AND BACKREST

	Code	A	B	C	D	E	COM
Upholstered seat (15 ^{1/2} " L x 15 ^{1/2} " P x 1" H)	CPS	120	140	160	180	200	0.8



Measures	A	B*	C	D	E	I	J*	K	N	Weight	Volume
CO4R	17 ^{3/4}	15 ^{1/2}	18	16	16 ^{3/4}	16 ^{1/2}	17	20	-	12	8
	45	39	46	40	43	42	43	51	-	5.4	0.7
CO4A	17 ^{3/4}	15 ^{1/2}	18	16	16 ^{3/4}	16 ^{1/2}	17	22	-	12	9
	45	39	46	40	43	42	43	56	-	5.4	0.8
CO4B	17 ^{3/4}	15 ^{1/2}	18	16	16 ^{3/4}	16 ^{1/2}	17	19	-	10	8
	45	39	46	40	43	42	43	48	-	4.5	0.7
COBP	17 ^{3/4}	15 ^{1/2}	16 ^{1/2}	16	16 ^{3/4}	16 ^{1/2}	17	19	-	10	8
	45	39	42	40	43	42	43	48	-	4.5	0.7
COBE	17 ^{3/4}	15 ^{1/2}	13 ^{1/2} - 18 ^{1/2}	16	16 ^{3/4}	16 ^{1/2}	17	-	24	14	13
	45	39	34 - 47	40	43	42	43	-	60	6.4	1.2

*B and J are respectively the effective depth of the seat and the effective height of the backrest

Imperial system (inches - pounds - cubic feet - yards)

Metric system (centimeters - kilograms - cubic meters - meters)

Desire

Collection of 3 ergonomic models. Seat and backrest made of steel tubing with moulded and cut foam and upholstered using the Suspension technique. Seat slip covers equipped with zippers to allow for easy replacement. Many available options including an inflatable lumbar support and multiple seat sizes.



Collection

Director



DR-D

Ergonomic

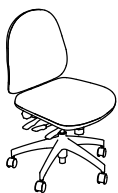


DR-L



DR-H

DR-L



Low backrest

		COM					
	A	B	C	D	E	LEATHER	
S	720	750	780	810	840	1220	
H	740	770	800	830	860	1240	
Z	760	790	820	850	880	1260	
E	820	850	880	910	940	1320	
MF	840	870	900	930	960	1340	
SS	900	930	960	990	1020	1400	
SY	870	900	930	960	990	1370	

DR-H



High backrest

		COM					
	A	B	C	D	E	LEATHER	
S	760	790	820	850	880	1260	
H	780	810	840	870	900	1280	
Z	800	830	860	890	920	1300	
E	860	890	920	950	980	1360	
MF	880	910	940	970	1000	1380	
SS	940	970	1000	1030	1060	1440	
SY	910	940	970	1000	1030	1410	
K	880	910	940	970	1000	1380	
P	1360	1390	1420	1450	1480	1860	
B	1260	1290	1320	1350	1380	1760	

DR-D



Director backrest

		COM					
	A	B	C	D	E	LEATHER	
S	800	830	860	890	920	1300	
H	820	850	880	910	940	1320	
Z	840	870	900	930	960	1340	
E	900	930	960	990	1020	1400	
MF	920	950	980	1010	1040	1420	
SS	980	1010	1040	1070	1100	1480	
SY	950	980	1010	1040	1070	1450	
K	920	950	980	1010	1040	1420	
P	1400	1430	1460	1490	1520	1900	
B	1300	1330	1360	1390	1420	1800	

MECHANISMS

S	Swivel, tilt, seat height adjustment
H	Swivel, tilt, 0° lock, seat height adjustment
Z	Swivel, synchro tilt 2:1, 0° lock, seat height adjustment
E	Swivel, tilt, seat height and angle adjustment and backrest angle adjustment
MF	Swivel, tilt, lock, seat height and backrest angle adjustment
SS	Swivel, tilt, lock, seat height and backrest angle adjustment, seat slider
SY	Swivel, synchro tilt 2:1, 4 position lock, seat slider, seat height adjustment
K	Swivel, knee tilt, lock, seat height adjustment
P	Swivel, knee tilt, lock, seat height and backrest angle adjustment
B	24/7 use, tilt, lock, seat height and backrest angle adjustment

BACKREST

SPB	Regular back upright	Standard
RB	Ratchet backrest (standard with B & SY mech.)	80
HPB2	2" extended back upright	30
HRB	2" extended back upright (ratchet)	30

GAS LIFTS

80	Gas lift 80 mm	-
100	Gas lift 100 mm	-
120	Gas lift 120 mm	-
140	Gas lift 140 mm	30
200	8" stool kit (E & S mech., L & H backrests)	160
250	10" stool kit (E & S mech., L & H backrests)	160

SEAT

R	Regular seat	Standard
L	Large seat, 21" L x 20" P	60
S	Small seat, 19" L x 18" P	60
XS	Extra small seat, 17" L x 17" P	60

ARMRESTS

	01	Height, width, standard pad	160
	01L	Height, width, soft pad	170
	01S	Height, width, S pad	170
	02	Height, width, contoured pad	150
	04	Height, width, contoured gel pad	210
	05	Height, width, multi-pivot, contoured gel pad	340
Adjustable	07	Height, width, pivot, contoured gel pad	280
	96	Height, width, depth, pivot, polyurethane pad	190
	96F	Height, width, depth, polyurethane pad	210
	96G	Height, width, depth, pivot, soft pad	210
	98	Height, width, depth, lockable pivot, polyurethane pad	280
	FB	Front/back slider (#01,01L,02,03,04,07,08,09)	50
	H	1 1/2" longer structure (#01,01L,02,03,04,05)	45

ARMRESTS

	11	Polypropylene, C shape	120
	12	Polypropylene, T shape	120
	27	Polyurethane, C shape	150
Fixed	30	Polyurethane and black metal, closed C shape	150
	47	Polyurethane and black metal, C shape	140
	60	Polished aluminum, C shape with polyurethane insert	200
	77	Polished aluminum, T shape with polyurethane pad	220

BASES AND CASTERS

SBL	Black nylon	Standard
HBL	Black nylon, high hub	-
AL	Polished aluminium (standard with mech. B)	120
HAL	Polished aluminium, high hub	120
HW	Carpet casters	Standard
SW	Hard surface casters	15
IC	3" heavy duty casters for carpet (standard with mech. B)	50
ICSW	3" heavy duty casters for hard surfaces	65
GL	Glides instead of casters	15

BACKREST OPTION

LU	Inflatable lumbar support	100
----	---------------------------	-----

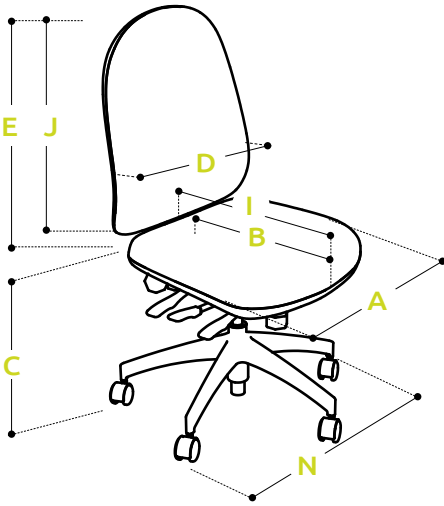
SEAT OPTION

PS	Pressure sensitive foam (Reg. & L seats)	100
----	--	-----

SEALED STITCHES

CSC	All models	150
-----	------------	-----

Desire



Measures	A	B*	C	D	E	I	J*	N	Weight	Volume	COM
DR-L	19 ^{1/2}	18 ^{1/2}	17-22	17	16	19 ^{1/2}	15-18	24	45	15	1.4
	50	47	43 - 56	43	40	50	38 - 46	60	20.4	1.4	1.3
DR-H	19 ^{1/2}	18 ^{1/2}	17-22	17	21	19 ^{1/2}	20 - 23	24	48	17	1.5
	50	47	43 - 56	43	53	50	51 - 58	60	21.8	1.6	1.4
DR-D	19 ^{1/2}	18 ^{1/2}	17-22	17	27	19 ^{1/2}	26 - 29	26	53	19	1.7
	50	47	43 - 56	43	69	50	66 - 74	66	24	1.8	1.6

*B and J are respectively the effective depth of the seat and the effective height of the backrest

Imperial system (inches - pounds - cubic feet - yards)

Metric system (centimeters - kilograms- cubic meters- meters)

Ergo-medic

Collection of 3 multi-purpose models. Seat and backrest made of steel tubing with moulded and cut foam and upholstered using the Suspension technique. Black metallic components.



Collection

Multi-purpose




EC-H-4





EC-E-4 / EC-E-4P




EC-O-4

EC-H-4	COM				
	A	B	C	D	E
	700	730	760	790	820
Four-leg frame Glides Upholstered backrest					

EC-E-4	COM				
	A	B	C	D	E
	840	870	900	930	960
Four-leg frame Glides Upholstered backrest					

EC-E-4P	COM				
	A	B	C	D	E
	970	1000	1030	1060	1090
Four-leg frame Glides Adjustable upholstered backrest					

EC-O-4	COM				
	A	B	C	D	E
	350	370	390	410	430
Four-leg frame Glides					

FRAME FINISHES

N	Black	Standard
C	Chrome	90

BASES AND CASTERS

RBCA	Soft surface brake caster-standing (for 2)	40
RBCSW	Hard surface brake caster-standing (for 2)	40

ARMRESTS

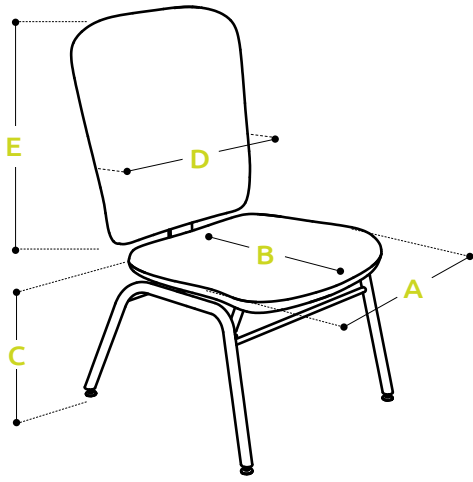
75	Black frame, black polyurethane armrest - fixed	150
----	---	-----

BACKREST

VH	Black vinyl removable headrest	50
----	--------------------------------	----

SEALED STITCHES

CSC	All models	150
-----	------------	-----



Measures	A	B*	C	D	E	Weight	Volume	COM
EC-H-4	19 ^{1/2}	17 ^{1/2}	18	18	20	45	18	1.9
	50	44	46	46	51	20.4	1.7	1.8
EC-E-4	19 ^{1/2}	17 ^{1/2}	18	18	28	48	20	2.0
	50	44	46	46	71	21.8	1.8	1.9
EC-E-4P	19 ^{1/2}	17 ^{1/2}	18	18	28	48	20	2.0
	50	44	46	46	71	21.8	1.8	1.9
EC-O-4	19 ^{1/2}	17 ^{1/2}	18	-	-	22	8	2.0
	50	44	46	-	-	10	0.7	1.9

*B and J are respectively the effective depth of the seat and the effective height of the backrest

Imperial system (inches - pounds - cubic feet - yards)

Metric system (centimeters - kilograms- cubic meters- meters)

Everest

Collection of 2 ergonomic models built for the big and tall user, with a 500 lbs rated capacity. Seat and backrest made of steel tubing with moulded and cut foam and upholstered using the Suspension technique. Heavy duty mechanism, gas lift, 27" polished aluminum base and 3" casters. Seat slip covers equipped with zippers to allow for easy replacement. Many available options including an inflatable lumbar support and multiple seat sizes.



Collection

Director



EV-D

Ergonomic



EV-H

EV-H

	A	^{COM} B	C	D	E	LEATHER
B	1460	1500	1540	1580	1620	2220



High backrest

EV-D

	A	^{COM} B	C	D	E	LEATHER
B	1580	1620	1660	1700	1740	2340



Director backrest

MECHANISM

B 24/7 use, tilt, lock, seat height and backrest angle adjustment

GAS LIFTS

80HD	80 mm heavy duty gas lift	Standard
100HD	100 mm heavy duty gas lift	50
120HD	120 mm heavy duty gas lift	50

SEAT

S Short seat depth 24" L x 19" P 60

ARMRESTS

	01	Height, width, standard pad	160
	01L	Height, width, soft pad	170
	01S	Height, width, S pad	170
	02	Height, width, contoured pad	150
	04	Height, width, contoured gel pad	210
Adjustable	16	Retractable, height, width, multi-pivot, contoured gel pad	220
	96	Height, width, depth, pivot, polyurethane pad	190
	96F	Height, width, depth, polyurethane pad	210
	96G	Height, width, depth, pivot, soft pad	210
	98	Height, width, depth, lockable pivot, polyurethane pad	280
	FB	Front/back slider (#01,01L,02,03,04,07,08,09)	50
	H	1 1/2" longer structure (#01,01L,02,03,04,05)	45
	27	Polyurethane, C shape	150
	30	Polyurethane and black metal, closed C shape	150
Fixed	47	Polyurethane and black metal, C shape	140
	60	Polished aluminum, C shape with polyurethane insert	200
	77	Polished aluminum, T shape with polyurethane pad	220

BASES AND CASTERS

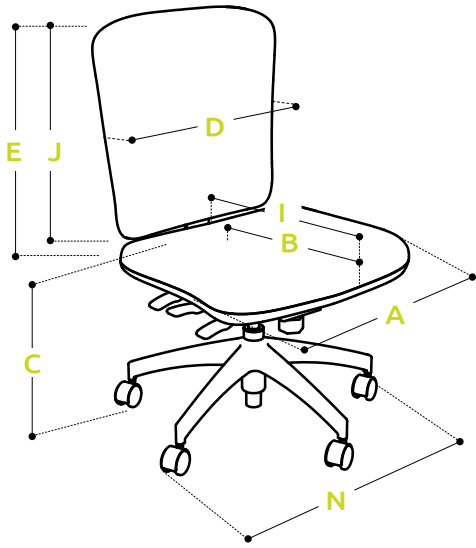
AL	Polished aluminium	Standard
IC	Carpet casters	Standard
ICSW	Hard surface casters	15

BACKREST

LU Inflatable lumbar support 100

SEALED STITCHES

CSC All models 150



Measures	A	B*	C	D	E	I	J*	N	Weight	Volume	COM
EC-H-4	24	20 ^{1/2}	20 - 25	18	20	20	22 - 25	27	76	20	1.8
	60	52	51 - 64	46	51	51	56 - 64	69	34.4	1.9	1.7
EC-E-4	24	20 ^{1/2}	20 - 25	18	28	20	28 - 31	27	77	22	2.0
	60	52	51 - 64	46	71	51	71 - 78	69	35	2	1.9

*B and J are respectively the effective depth of the seat and the effective height of the backrest

Imperial system (inches - pounds - cubic feet - yards)

Metric system (centimeters - kilograms- cubic meters- meters)

Finesse

Collection of 3 multi-purpose models, one of which built for the big and tall user, with a 500 lbs rated capacity. Seat and backrest made of steel tubing with moulded and cut foam and upholstered using the Suspension technique. Backrest also offered with a black, grey or white mesh. Seat slip covers equipped with zippers to allow for easy replacement. Many available options including a wide choice of frame finishes.



Collection

Multi-purpose



FI-4



FH-4

Bariatric



FB-4

FI-4	COM					LEATHER
	A	B	C	D	E	
	530	560	590	620	650	1030



Four-leg frame
Glides
Upholstered backrest

FH-4	COM					LEATHER
	A	B	C	D	E	
	500	520	540	560	580	800



Four-leg frame
Glides
Mesh backrest

FB-4	COM					LEATHER
	A	B	C	D	E	
	800	840	880	920	960	1560



Four-leg frame
Glides
Upholstered backrest

STRUCTURE FINISHES

C	Chrome	80
BL	Black	Standard
SX	Black sandex	-
CH	Charcoal grey	-
SG	Metallic grey	-
PA	Chrome paint (minimum of 10 chairs)	60
<i>Other finishes available upon request</i>		

CASTERS

CA	Casters	20
SCA	Hard surface casters	30

ARMRESTS

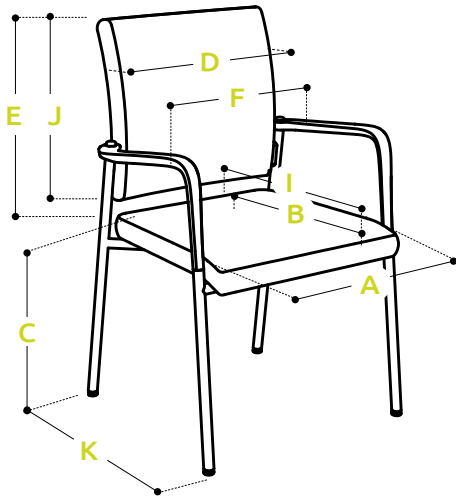
	50BL	Polypropylene black	50
Fixed	50DG	Dark grey polypropylene	50
	50LG	Pale grey polypropylene	50

SEALED STITCHES

CSC	All models	150
-----	------------	-----

MESH COLORS

SHX01	Black mesh	Standard
SHX10	Grey mesh	-
SHX20	White mesh	-



Measures	A	B*	C	D	E	F	I	J*	K	Weight	Volume	COM
FI-4	20	17	19	19 ^{1/2}	16	25	18	17	22 ^{1/2}	26	13	1.2
	51	43	48	50	40	64	46	43	57	11.8	1.2	1.1
FH-4	20	18 ^{1/2}	19	19 ^{1/2}	15	25	18	17	22 ^{1/2}	24	13	1.0
	51	47	48	50	38	64	46	43	57	10.8	1.2	0.9
FB-4	25	18	19 ^{1/2}	25	16	31 ^{1/2}	19	17	24	29	17	1.0
	64	46	50	64	40	80	48	43	61	13.1	1.6	0.9

*B and J are respectively the effective depth of the seat and the effective height of the backrest

Imperial system (inches - pounds - cubic feet - yards)

Metric system (centimeters - kilograms- cubic meters- meters)

Flex

Collection of 4 ergonomic models. Seat and backrest made of steel tubing with moulded and cut foam and upholstered using the Suspension technique. Seat slip covers equipped with zippers to allow for easy replacement. Many available options including an inflatable lumbar support and multiple seat sizes.



Collection

Director



FX-D



FX-E

Ergonomic



FX-L



FX-H

FX-L

COM



Low backrest

	A	B	C	D	E	LEATHER
S	720	750	780	810	840	1220
H	740	770	800	830	860	1240
Z	760	790	820	850	880	1260
E	820	850	880	910	940	1320
MF	840	870	900	930	960	1340
SS	900	930	960	990	1020	1400
SY	870	900	930	960	990	1370

FX-H

COM



High backrest

	A	B	C	D	E	LEATHER
S	760	790	820	850	880	1260
H	780	810	840	870	900	1280
Z	800	830	860	890	920	1300
E	860	890	920	950	980	1360
MF	880	910	940	970	1000	1380
SS	940	970	1000	1030	1060	1440
SY	910	940	970	1000	1030	1410
K	880	910	940	970	1000	1380
P	1360	1390	1420	1450	1480	1860
B	1260	1290	1320	1350	1380	1760

FX-D

COM



Director backrest

	A	B	C	D	E	LEATHER
S	800	830	860	890	920	1300
H	820	850	880	910	940	1320
Z	840	870	900	930	960	1340
E	900	930	960	990	1020	1400
MF	920	950	980	1010	1040	1420
SS	980	1010	1040	1070	1100	1480
SY	950	980	1010	1040	1070	1450
K	920	950	980	1010	1040	1420
P	1400	1430	1460	1490	1520	1900
B	1300	1330	1360	1390	1420	1800

FX-E

COM



Executive backrest

	A	B	C	D	E	LEATHER
S	840	870	900	930	960	1340
H	860	890	920	950	980	1360
Z	880	910	940	970	1000	1380
E	940	970	1000	1030	1060	1440
MF	960	990	1020	1050	1080	1460
SS	1020	1050	1080	1110	1140	1520
SY	990	1020	1050	1080	1110	1490
K	960	990	1020	1050	1080	1460
P	1440	1470	1500	1530	1560	1940
B	1340	1370	1400	1430	1460	1840

MECHANISMS

S	Swivel, tilt, seat height adjustment
H	Swivel, tilt, 0° lock, seat height adjustment
Z	Swivel, synchro tilt 2:1, 0° lock, seat height adjustment
E	Swivel, tilt, seat height and angle adjustment and backrest angle adjustment
MF	Swivel, tilt, lock, seat height and backrest angle adjustment
SS	Swivel, tilt, lock, seat height and backrest angle adjustment, seat slider
SY	Swivel, synchro tilt 2:1, 4 position lock, seat slider, seat height adjustment
K	Swivel, knee tilt, lock, seat height adjustment
P	Swivel, knee tilt, lock, seat height and backrest angle adjustment
B	24/7 use, tilt, lock, seat height and backrest angle adjustment

BACKREST

SPB	Regular back upright	Standard
RB	Ratchet backrest (standard with B & SY mech.)	80
HPB2	2" extended back upright	30
HRB	2" extended back upright (ratchet)	30

GAS LIFTS

80	Gas lift 80 mm	-
100	Gas lift 100 mm	-
120	Gas lift 120 mm	-
140	Gas lift 140 mm	30
200	8" stool kit (E & S mech., L & H backrests)	160
250	10" stool kit (E & S mech., L & H backrests)	160

SEAT

R	Regular seat	Standard
L	Large seat, 21" L x 20" P	60
S	Small seat, 19" L x 18" P	60
XS	Extra small seat, 17" L x 17" P	60

ARMRESTS

	01	Height, width, standard pad	160
	01L	Height, width, soft pad	170
	01S	Height, width, S pad	170
	02	Height, width, contoured pad	150
	04	Height, width, contoured gel pad	210
	05	Height, width, multi-pivot, contoured gel pad	340
Adjustable	09	Height, width, pivot, contoured gel pad	280
	96	Height, width, depth, pivot, polyurethane pad	190
	96F	Height, width, depth, polyurethane pad	210
	96G	Height, width, depth, pivot, soft pad	210
	98	Height, width, depth, lockable pivot, polyurethane pad	280
	FB	Front/back slider (#01,01L,02,03,04,07,08,09)	50
	H	1 1/2" longer structure (#01,01L,02,03,04,05)	45

ARMRESTS

	11	Polypropylene, C shape	120
	12	Polypropylene, T shape	120
	27	Polyurethane, C shape	150
Fixed	30	Polyurethane and black metal, closed C shape	150
	47	Polyurethane and black metal, C shape	140
	60	Polished aluminum, C shape with polyurethane insert	200
	77	Polished aluminum, T shape with polyurethane pad	220

BASES AND CASTERS

SBL	Black nylon	Standard
HBL	Black nylon, high hub	-
AL	Polished aluminium (standard with mech. B)	120
HAL	Polished aluminium, high hub	120
HW	Carpet casters	Standard
SW	Hard surface casters	15
IC	3" heavy duty casters for carpet (standard with mech. B)	50
ICSW	3" heavy duty casters for hard surfaces	60
GL	Glides instead of casters	15

BACKREST OPTION

LU	Inflatable lumbar support	100
----	---------------------------	-----

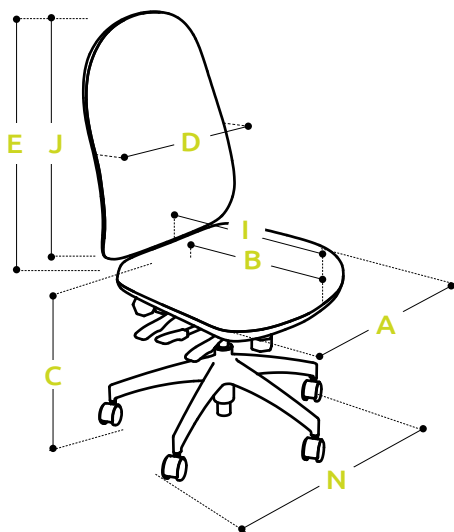
SEAT OPTION

PS	Pressure sensitive foam (Reg. & L seats)	100
----	--	-----

SEALED STITCHES

CSC	All models	150
-----	------------	-----

Flex



Measures	A	B*	C	D	E	I	J*	N	Weight	Volume	COM
FX-L	19 ^{1/2}	18 ^{1/2}	17 ^{1/2} - 22 ^{1/2}	17	16	19 ^{1/2}	15 - 18	24	45	15	1.3
	50	47	44 - 57	43	40	50	38 - 46	60	20.4	1.4	1.2
X-H	19 ^{1/2}	18 ^{1/2}	17 ^{1/2} - 22 ^{1/2}	17	21	19 ^{1/2}	20 - 23	24	48	16	1.4
	50	47	44 - 57	43	53	50	51 - 58	60	21.8	1.5	1.3
FX-D	19 ^{1/2}	18 ^{1/2}	17 ^{1/2} - 22 ^{1/2}	17	27	19 ^{1/2}	26 - 29	26	53	19	1.6
	50	47	44 - 57	43	69	50	66 - 74	66	24	1.8	1.5
FX-E	19 ^{1/2}	18 ^{1/2}	17 ^{1/2} - 22 ^{1/2}	17	31	19 ^{1/2}	30 - 33	26	56	20	1.7
	50	47	44 - 57	43	79	50	76 - 84	66	25.4	1.9	1.6

*B and J are respectively the effective depth of the seat and the effective height of the backrest

Imperial system (inches - pounds - cubic feet - yards)

Metric system (centimeters - kilograms- cubic meters- meters)

Golf

Collection of 5 multi-purpose models with monoshell and steel tubing construction. Seat and backrest made of maple moulded plywood. Many available options including seat upholstery, a wide choice of frame and wood finishes and a trolley.



Collection

Multi-purpose



GO-2S



GO-4S



GO-7



GO-8



GO-9

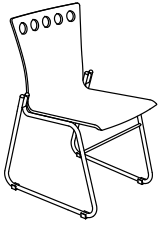
Trolley



GO-20

GO-2S

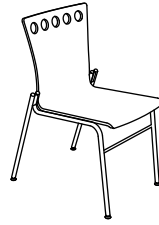
GO-2S 530



Stackable sled frame
Glides

GO-4S

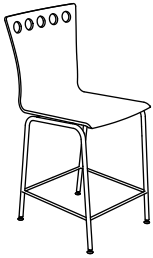
GO-4S 530



Stackable four-leg frame
Glides

GO-7

GO-7 600



Counter height stool
Glides

GO-8

GO-8 610



Counter height stool
Glides

GO-9

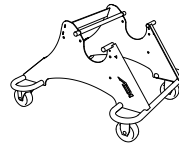
GO-9 600



Counter height stool
Glides
Short backrest

GO-20

GO-20 550



Trolley
Capacity for 10 chairs

FINISHES

065	Natural maple	Standard
AC	Color on request : minimum of 25 chairs	50
LOC	Laminated (standard products) : minimum of 25 chairs	110

FRAME FINISHES

C	Chrome (GO-2S, GO-4S)	80
C	Chrome (GO-7-8-9)	100
BL	Black	-
SX	Black sandex	-
CH	Charcoal grey	-
SG	Metallic grey	-
PA	Chrome paint (minimum of 10 chairs)	60
<i>Other finishes available upon request</i>		

ARMRESTS

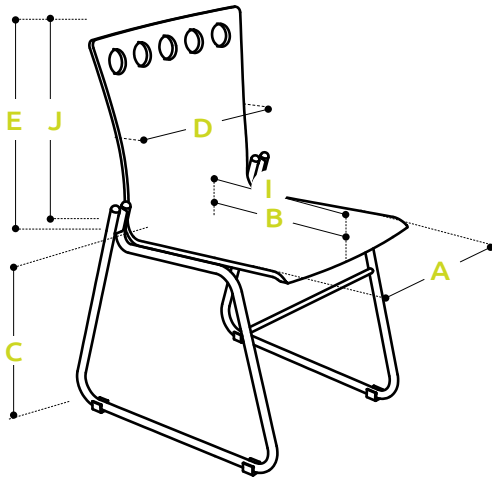
52	Black polyurethane - fixed	80
----	----------------------------	----

ACCESSORIES

53	Left side writing tablet made of ¾" birch plywood with high pressure laminate top and clear varnish edge.	250
54	Right side writing tablet made of ¾" birch plywood with high pressure laminate top and clear varnish edge.	250
BLL	Black laminate tablet	-
MAL	Maple laminate tablet	-
GMX	Ganging elements (for 2)	20

SEAT

	Code	A	B	C	D	E	COM
Upholstered seat 15" L x 14" P x 3/4" H	CPS	120	140	160	180	200	0.8



Measures	A	B*	C	D	E	I	J*	Weight	Volume
GO-2S	16	16	18	17	17	17	16	20	11
	40	40	46	43	43	43	40	9	1
GO-4S	16	16	18	17	17	17	16	18	11
	40	40	46	43	43	43	40	8.2	1
GO-7	16	16	23 ^{1/2}	17	17	17	16	21	11
	40	40	60	43	43	43	40	9.5	1
GO-8	16	16	29 ^{1/2}	17	17	17	16	23	12
	40	40	75	43	43	43	40	10.4	1.1
GO-9	16	16	23 ^{1/2}	17	5	17	4	23	10
	40	40	60	43	13	43	10	10.4	0.9
GO-20	22	-	-	-	-	27	-	30	9
	56	-	-	-	-	69	-	13.6	0.8

*B and J are respectively the effective depth of the seat and the effective height of the backrest

Imperial system (inches - pounds - cubic feet - yards)

Metric system (centimeters - kilograms- cubic meters- meters)

Lab

Collection of 4 multi-purpose models available with a footring and choice of gas lifts.



Collection

Stool



TB-O



SD



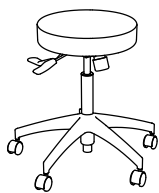
HS



LB-L

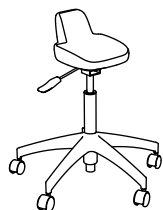
TB-O

A	^{COM} B	C	D	E
380	400	420	440	460



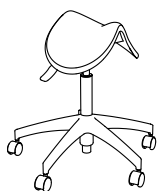
SD

400



HS

420



LB-L

R	650
E	700



MECHANISMS

R	Swivel mechanism, adjustable height/depth of the back, optional circular footring
E	Swivel, tilt, seat height and angle adjustment and backrest angle adjustment

GAS LIFTS

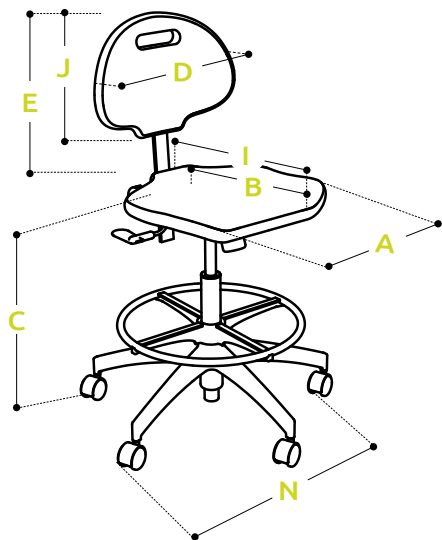
80	Gas lift 80 mm (non-available FR option)	-
100	Gas lift 100 mm (non-available FR option)	-
120	Gas lift 120 mm	-
140	Gas lift 140 mm	30
200C	Gas lift 200 mm	40
250C	Gas lift 250 mm	40
200	8" stool kit (includes circular footring)	160
250	10" stool kit (includes circular footring)	160

BASES AND CASTERS

FR	Adjustable footring	130
HW	Carpet casters	Standard
SW	Hard surface casters	15
GL	Glides instead of casters	15

SEALED STITCHES

CSC	All models	150
-----	------------	-----



Measures	A	B*	C	D	E	I	J*	N	Weight	Volume	COM
TB-O	16 ^{1/2}	-	18 - 23	-	-	16 ^{1/2}	-	24	19	9	1.0
	42	-	46 - 58	-	-	42	-	61	8.6	0.8	0.9
SD	13	-	18 - 23	-	-	8	-	24	20	11	
	33	-	46 - 58	-	-	20	-	61	9	1	
HS	17 ^{1/2}	-	18 - 23	-	-	14	-	24	17	11	
	44	-	46 - 58	-	-	36	-	61	7.7	1	
LB-L	18	18	18 - 23	16	12 - 15	17	11 - 14	26	34	14	
	46	46	46 - 58	40	30 - 38	43	28 - 35	66	15.4	1.3	

*B and J are respectively the effective depth of the seat and the effective height of the backrest

Imperial system (inches - pounds - cubic feet - yards)

Metric system (centimeters - kilograms - cubic meters - meters)

Lynx

Collection of 3 ergonomic models. Seat and backrest made of steel tubing with moulded and cut foam and upholstered using the Suspension technique. Seat slip covers equipped with zippers to allow for easy replacement. Many available options including an inflatable lumbar support and multiple seat sizes.



Collection

Director



LX-E

Ergonomic



LX-L



LX-H

LX-L

Low backrest

		COM					LEATHER
	A	B	C	D	E		
S	800	830	860	890	920	1300	
H	820	850	880	910	940	1320	
Z	840	870	900	930	960	1340	
E	900	930	960	990	1020	1400	
MF	920	950	980	1010	1040	1420	
SS	980	1010	1040	1070	1100	1480	
SY	950	980	1010	1040	1070	1450	

LX-H

High backrest

		COM					LEATHER
	A	B	C	D	E		
S	840	870	900	930	960	1340	
H	860	890	920	950	980	1360	
Z	880	910	940	970	1000	1380	
E	940	970	1000	1030	1060	1440	
MF	960	990	1020	1050	1080	1460	
SS	1020	1050	1080	1110	1140	1520	
SY	990	1020	1050	1080	1110	1490	
K	960	990	1020	1050	1080	1460	
P	1440	1470	1500	1530	1560	1940	
B	1340	1370	1400	1430	1460	1840	

LX-E

Executive backrest

		COM					LEATHER
	A	B	C	D	E		
S	960	990	1020	1050	1080	1460	
H	980	1010	1040	1070	1100	1480	
Z	1000	1030	1060	1090	1120	1500	
E	1060	1090	1120	1150	1180	1560	
MF	1080	1110	1140	1170	1200	1580	
SS	1140	1170	1200	1230	1260	1640	
SY	1110	1140	1170	1200	1230	1610	
K	1080	1110	1140	1170	1200	1580	
P	1560	1590	1620	1650	1680	2060	
B	1460	1490	1520	1550	1580	1960	

MECHANISMS

S	Swivel, tilt, seat height adjustment
H	Swivel, tilt, 0° lock, seat height adjustment
Z	Swivel, synchro tilt 2:1, 0° lock, seat height adjustment
E	Swivel, tilt, seat height and angle adjustment and backrest angle adjustment
MF	Swivel, tilt, lock, seat height and backrest angle adjustment
SS	Swivel, tilt, lock, seat height and backrest angle adjustment, seat slider
SY	Swivel, synchro tilt 2:1, 4 position lock, seat slider, seat height adjustment
K	Swivel, knee tilt, lock, seat height adjustment
P	Swivel, knee tilt, lock, seat height and backrest angle adjustment
B	24/7 use, tilt, lock, seat height and backrest angle adjustment

BACKREST

SPB	Regular back upright	Standard
RB	Ratchet backrest (standard with B & SY mech.)	80
HPB2	2" extended back upright	30
HRB	2" extended back upright (ratchet)	30

GAS LIFTS

80	Gas lift 80 mm	-
100	Gas lift 100 mm	-
120	Gas lift 120 mm	-
140	Gas lift 140 mm	30
200	8" stool kit (E & S mech., L & H backrests)	160
250	10" stool kit (E & S mech., L & H backrests)	160

SEAT

R	Regular seat	Standard
L	Large seat, 21" L x 20" P	60
S	Small seat, 20"L x 18" P	60

ARMRESTS

	01	Height, width, standard pad	160
	01L	Height, width, soft pad	170
	01S	Height, width, S pad	170
	02	Height, width, contoured pad	150
	04	Height, width, contoured gel pad	210
	05	Height, width, multi-pivot, contoured gel pad	340
Adjustable	09	Height, width, pivot, contoured gel pad	280
	96	Height, width, depth, pivot, polyurethane pad	190
	96F	Height, width, depth, polyurethane pad	210
	96G	Height, width, depth, pivot, soft pad	210
	98	Height, width, depth, lockable pivot, polyurethane pad	280
	FB	Front/back slider (#01,01L,02,03,04,07,08,09)	50
	H	1 1/2" longer structure (#01,01L,02,03,04,05)	45

ARMRESTS

	11	Polypropylene, C shape	120
	12	Polypropylene, T shape	120
	27	Polyurethane, C shape	150
Fixed	30	Polyurethane and black metal, closed C shape	150
	47	Polyurethane and black metal, C shape	140
	60	Polished aluminum, C shape with polyurethane insert	200
	77	Polished aluminum, T shape with polyurethane pad	220

BASES AND CASTERS

SBL	Black nylon	Standard
HBL	Black nylon, high hub	-
AL	Polished aluminium (standard with mech. B)	120
HAL	Polished aluminium, high hub	120
HW	Carpet casters	Standard
SW	Hard surface casters	15
IC	3" heavy duty casters for carpet (standard with mech. B)	50
ICSW	3" heavy duty casters	65
GL	Glides instead of casters	15

BACKREST OPTION

LU	Inflatable lumbar support	100
----	---------------------------	-----

SEAT OPTION

PS	Pressure sensitive foam (Reg. & L seats)	100
----	--	-----

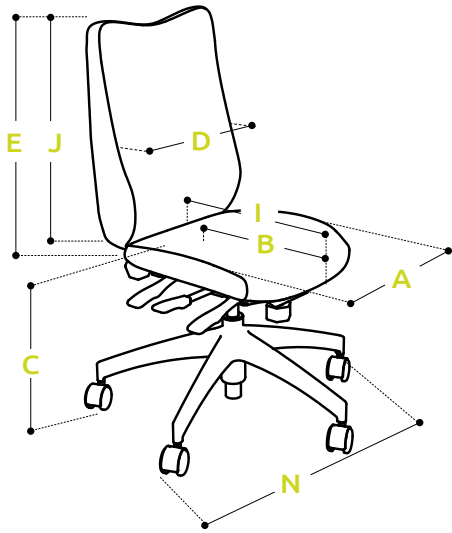
HEADREST OPTIONS

PI	Headrest (E backrest)	60
VPI	Removable headrest (E backrest)	60

SEALED STITCHES

CSC	All models	150
-----	------------	-----

Lynx



Measures	A	B*	C	D	E	I	J*	N	Weight	Volume	COM
LX-L	20	18	17 ^{1/2} - 22 ^{1/2}	19	20	19	19 - 22	24	52	15	1.3
	51	46	44 - 57	48	51	48	48 - 56	60	23.6	1.4	1.2
LX-H	20	18	17 ^{1/2} - 22 ^{1/2}	19	24	19	23 - 26	24	54	17	1.5
	51	46	44 - 57	48	60	48	58 - 66	60	24.5	1.6	1.3
LX-E	20	18	17 ^{1/2} - 22 ^{1/2}	19	33	19	32 - 35	26	55	20	1.7
	51	46	44 - 57	48	84	48	81 - 89	66	25	1.9	1.6

*B and J are respectively the effective depth of the seat and the effective height of the backrest

Imperial system (inches - pounds - cubic feet - yards)

Metric system (centimeters - kilograms- cubic meters- meters)

Malla

Collection of 1 ergonomic and 2 multi-purpose models. Seat made of steel tubing with moulded foam and upholstered using the Suspension technique. Backrest made of black polypropylene and aluminum and a black or grey mesh. Seat slip covers equipped with zippers to allow for easy replacement. Many available options including a height adjustable lumbar support and multiple seat sizes.



Collection

Conference



ML-H

Multi-purpose



ML-H-4



ML-H-6

ML-H



High backrest
Mesh backrest
Adjustable lumbar support

	A	B	C	D	E	LEATHER
S	780	800	820	840	860	1080
H	800	820	840	860	880	1100
Z	820	840	860	880	900	1120
E	880	900	920	940	960	1180
MF	900	920	940	960	980	1200
SS	960	980	1000	1020	1040	1260
SY	930	950	970	990	1010	1230
K	900	920	940	960	980	1200
P	1380	1400	1420	1440	1460	1680
B	1280	1300	1320	1340	1360	1580



ML-H-4



ML-H-6

	A	B	C	D	E	LEATHER	
ML-H-4	Four-leg frame with casters	730	750	770	790	810	1030
ML-H-6	Cantilever frame with glides and 56 armrests	800	820	840	860	880	1100

MECHANISMS

S	Swivel, tilt, seat height adjustment
H	Swivel, tilt, 0° lock, seat height adjustment
Z	Swivel, synchro tilt 2:1, 0° lock, seat height adjustment
E	Swivel, tilt, seat height and angle adjustment and backrest angle adjustment
MF	Swivel, tilt, lock, seat height and backrest angle adjustment
SS	Swivel, tilt, lock, seat height and backrest angle adjustment, seat slider
SY	Swivel, synchro tilt 2:1, 4 position lock, seat slider, seat height adjustment
K	Swivel, knee tilt, lock, seat height adjustment
P	Swivel, knee tilt, lock, seat height and backrest angle adjustment
B	24/7 use, tilt, lock, seat height and backrest angle adjustment

GAS LIFTS

80	Gas lift 80 mm	-
100	Gas lift 100 mm	-
120	Gas lift 120 mm	-
140	Gas lift 140 mm	30
200	8" stool kit (E & S mech.)	160
250	10" stool kit (E & S mech.)	160

SEAT

R	Regular seat	Standard
L	Large seat, 19" L x 18" P	60

ARMRESTS

	01	Height, width, standard pad	160
	01L	Height, width, soft pad	170
	01S	Height, width, S pad	170
	02	Height, width, contoured pad	150
	04	Height, width, contoured gel pad	210
	05	Height, width, multi-pivot, contoured gel pad	340
Adjustable	09	Height, width, pivot, contoured gel pad	280
	96	Height, width, depth, pivot, polyurethane pad	190
	96F	Height, width, depth, polyurethane pad	210
	96G	Height, width, depth, pivot, soft pad	210
	98	Height, width, depth, lockable pivot, polyurethane pad	280
	FB	Front/back slider (#01,01L,02,03,04,07,08,09)	50
	H	11/2" longer structure (#01,01L,02,03,04,05)	45

ARMRESTS

	11	Polypropylene, C shape	120
	12	Polypropylene, T shape	120
	27	Polyurethane, C shape	150
Fixed	30	Polyurethane and black metal, closed C shape	150
	47	Polyurethane and black metal, C shape	140
	60	Polished aluminum, C shape with polyurethane insert	200
	77	Polished aluminum, T shape with polyurethane pad	220

FRAME FINISHES

SX	Black sandex	-
C	Chrome	100

BASES AND CASTERS

SBL	Black nylon	Standard
HBL	Black nylon, high hub	-
AL	Polished aluminium (standard with mech. B)	120
HAL	Polished aluminium, high hub	120
HW	Carpet casters	Standard
SW	Hard surface casters	15
IC	3" heavy duty casters for carpet (standard with mech. B)	50
ICSW	3" heavy duty casters	65
GL	Glides instead of casters	15

BACKREST OPTION

LU	Adjustable lumbar support	65
----	---------------------------	----

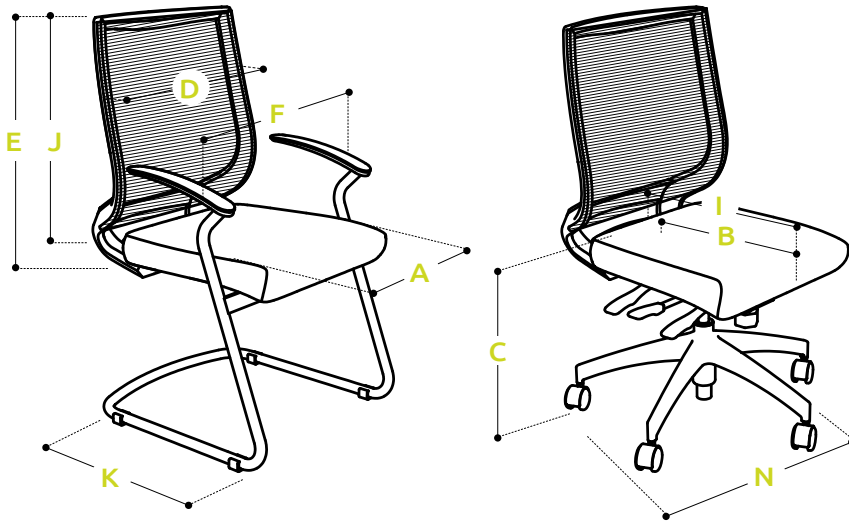
SEAT OPTION

PS	Pressure sensitive foam (Reg. & L seats)	100
----	--	-----

BACKREST

B9041	Black mesh	Standard
G9040	Grey mesh	-

Malla



Measures	A	B*	C	D	E	F	I	J*	K	N	Weight	Volume	COM
ML-L	19	18	17 ^{1/2} - 22 ^{1/2}	19 ^{1/2}	23	-	19 ^{1/2}	22	-	24	49	16	1.0
	48	46		50	58	-	50	56	-	60	22.2	1.5	0.9
ML-H-4	19	18	18	19 ^{1/2}	23	-	19 ^{1/2}	22	24	-	34	16	1.0
	48	46	46	50	58	-	50	56	60	-	15.4	1.5	0.9
ML-H-6	19	18	18	19 ^{1/2}	23	23 ^{1/2}	19 ^{1/2}	22	24	-	26	16	1.0
	48	46	46	50	58	60	50	56	60	-	11.8	1.5	0.9

*B and J are respectively the effective depth of the seat and the effective height of the backrest

Imperial system (inches - pounds - cubic feet - yards)

Metric system (centimeters - kilograms- cubic meters- meters)

Miniflex

Collection of 2 multi-purpose models. Seat and backrest made of steel tubing with moulded and cut foam and upholstered using the Suspension technique. Seat slip covers equipped with zippers to allow for easy replacement. Many available options including a wide choice of frame finishes and a writing tablet.



Collection

Multi-purpose



MX-2S



MX-4S

Trolley



MX-20

MX-2S

A	^{COM} B	C	D	E	LEATHER
420	450	480	510	540	920



Stackable sled frame
Glides

MX-4S

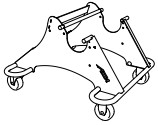
A	^{COM} B	C	D	E	LEATHER
420	450	480	510	540	920



Stackable four-leg frame
Glides

MX-20

500



Trolley
Capacity for 20 chairs

FRAME FINISHES

C	Chrome	80
BL	Black	Standard
SX	Black sandex	-
CH	Charcoal grey	-
SG	Metallic grey	-
PA	Chrome paint (minimum of 10 chairs)	60

Other finishes available upon request

GLIDES

LGL	Long glides (MX-2S)	20
LGF	Long glide with felt	30

ARMRESTS

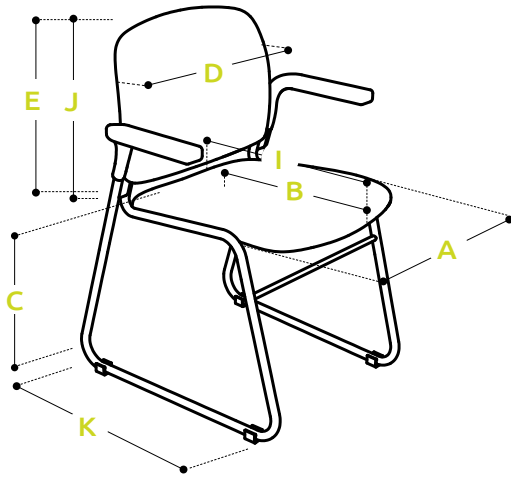
52	Black polyurethane - fixed	80
----	----------------------------	----

BACKREST

HG	Handling grip	40
----	---------------	----

ACCESSORIES

53	Left side flip-up writing tablet made of birch plywood with high pressure laminate	300
54	Right side flip-up writing tablet made of birch plywood with high pressure laminate	300
BLL	Black laminate tablet	-
MAL	Maple laminate tablet	-
GMX	Ganging elements (for 2)	20



Measures	A	B*	C	D	E	I	J*	K	Weight	Volume	COM
MX-2S	16 ^{1/2}	16 ^{1/2}	18	17	14	19	16	23 ^{1/2}	19	10	1.2
	42	42	46	43	36	48	40	60	8.6	0.9	1.1
MX-4S	16 ^{1/2}	16 ^{1/2}	18	17	14	19	16	21 ^{1/2}	18	10	1.2
	42	42	46	43	36	48	40	55	8.2	0.9	1.1
MX-20	22	-	24	-	-	27	-	-	30	9	-
	56	-	60	-	-	69	-	-	13.6	0.8	-

*B and J are respectively the effective depth of the seat and the effective height of the backrest

Imperial system (inches - pounds - cubic feet - yards)

Metric system (centimeters - kilograms - cubic meters - meters)

Next

Collection of 3 ergonomic models. Seat and backrest made of steel tubing with moulded and cut foam and upholstered using the Suspension technique. Seat slip covers equipped with zippers to allow for easy replacement. Many available options including an inflatable lumbar support and multiple seat sizes.



Collection

Director



NX-E

Ergonomic



NX-L



NX-H

NX-L

COM

	A	B	C	D	E	LEATHER
S	740	770	800	830	860	1240
H	760	790	820	850	880	1260
Z	780	810	840	870	900	1280
E	840	870	900	930	960	1340
MF	860	890	920	950	980	1360
SS	920	950	980	1010	1040	1420
SY	890	920	950	980	1010	1390



Low backrest

NX-H

COM

	A	B	C	D	E	LEATHER
S	780	810	840	870	900	1280
H	800	830	860	890	920	1300
Z	820	850	880	910	940	1320
E	880	910	940	970	1000	1380
MF	900	930	960	990	1020	1400
SS	960	990	1020	1050	1080	1460
SY	930	960	990	1020	1050	1430
K	900	930	960	990	1020	1400
P	1380	1410	1440	1470	1500	1880
B	1280	1310	1340	1370	1400	1780

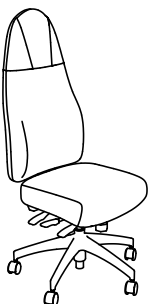


High backrest

NX-E

COM

	A	B	C	D	E	LEATHER
S	900	930	960	990	1020	1400
H	920	950	980	1010	1040	1420
Z	940	970	1000	1030	1060	1440
E	1000	1030	1060	1090	1120	1500
MF	1020	1050	1080	1110	1140	1520
SS	1080	1110	1140	1170	1200	1580
SY	1050	1080	1110	1140	1170	1550
K	1020	1050	1080	1110	1140	1520
P	1500	1530	1560	1590	1620	2200
B	1400	1430	1460	1490	1520	1900



Executive backrest

MECHANISMS

S	Swivel, tilt, seat height adjustment
H	Swivel, tilt, 0° lock, seat height adjustment
Z	Swivel, synchro tilt 2:1, 0° lock, seat height adjustment
E	Swivel, tilt, seat height and angle adjustment and backrest angle adjustment
MF	Swivel, tilt, lock, seat height and backrest angle adjustment
SS	Swivel, tilt, lock, seat height and backrest angle adjustment, seat slider
SY	Swivel, synchro tilt 2:1, 4 position lock, seat slider, seat height adjustment
K	Swivel, knee tilt, lock, seat height adjustment
P	Swivel, knee tilt, lock, seat height and backrest angle adjustment
B	24/7 use, tilt, lock, seat height and backrest angle adjustment

BACKREST

SPB	Regular back upright	Standard
RB	Ratchet backrest (standard with B & SY mech.)	80
HPB2	2" extended back upright	30
HRB	2" extended back upright (ratchet)	30

GAS LIFTS

80	Gas lift 80 mm	-
100	Gas lift 100 mm	-
120	Gas lift 120 mm	-
140	Gas lift 140 mm	30
200	8" stool kit (E & S mech., L & H backrests)	160
250	10" stool kit (E & S mech., L & H backrests)	160

SEAT

R	Regular seat	Standard
L	Large seat 21" L x 20" P	60
S	Small seat, 19" L x 18" P	60

ARMRESTS

	01	Height, width, standard pad	160
	01L	Height, width, soft pad	170
	01S	Height, width, S pad	170
	02	Height, width, contoured pad	150
	04	Height, width, contoured gel pad	210
	05	Height, width, multi-pivot, contoured gel pad	340
Adjustable	09	Height, width, pivot, contoured gel pad	280
	96	Height, width, depth, pivot, polyurethane pad	190
	96F	Height, width, depth, polyurethane pad	210
	96G	Height, width, depth, pivot, soft pad	210
	98	Height, width, depth, lockable pivot, polyurethane pad	280
	FB	Front/back slider (#01,01L,02,03,04,07,08,09)	50
	H	1 1/2" longer structure (#01,01L,02,03,04,05)	45

ARMRESTS

	11	Polypropylene, C shape	120
	12	Polypropylene, T shape	120
	27	Polyurethane, C shape	150
Fixed	30	Polyurethane and black metal, closed C shape	150
	47	Polyurethane and black metal, C shape	140
	60	Polished aluminum, C shape with polyurethane insert	200
	77	Polished aluminum, T shape with polyurethane pad	220

BASES AND CASTERS

SBL	Black nylon	Standard
HBL	Black nylon, high hub	-
AL	Polished aluminium (standard with mech. B)	120
HAL	Polished aluminium, high hub	120
HW	Carpet casters	Standard
SW	Hard surface casters	15
IC	3" heavy duty casters for carpet (standard with mech. B)	50
ICSW	3" heavy duty casters	65
GL	Glides instead of casters	15

BACKREST OPTION

LU	Inflatable lumbar support	100
----	---------------------------	-----

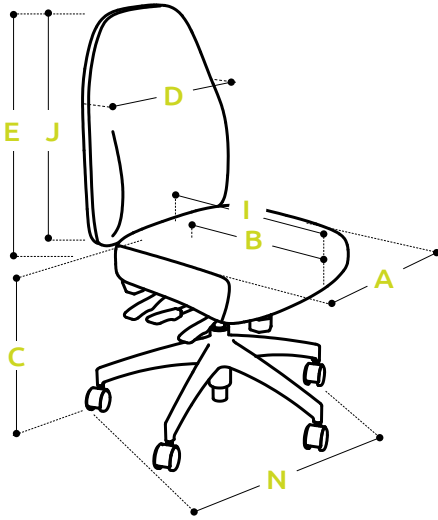
SEAT OPTION

PS	Pressure sensitive foam (Reg. & L seats)	100
----	--	-----

HEADREST OPTIONS

PI	Headrest (backrest E)	60
VPI	Removable headrest (backrest E)	60

Next



Measures	A	B*	C	D	E	I	J*	N	Weight	Volume	COM
NX-L	20	17	18 - 23	17	20	19 ^{1/2}	19-22	24	46	15	1.4
	51	43	46 - 58	43	51	50	48 - 56	60	20.9	1.4	1.3
NX-H	20	17	18 - 23	17	24	19 ^{1/2}	23-26	24	48	17	1.5
	51	43	46 - 58	43	60	50	58 - 66	60	21.8	1.6	1.4
NX-E	20	17	18 - 23	17	33	19 ^{1/2}	32-35	26	54	20	1.6
	51	43	46 - 58	43	84	50	81 - 89	66	24.5	1.9	1.5

*B and J are respectively the effective depth of the seat and the effective height of the backrest

Imperial system (inches - pounds - cubic feet - yards)

Metric system (centimeters - kilograms- cubic meters- meters)

Ovation

Collection of 2 ergonomic models. Seat and backrest made of steel tubing with moulded foam and upholstered using the Suspension technique. Seat slip covers equipped with zippers to allow for easy replacement. Many available options including an inflatable lumbar support and multiple seat sizes.



Collection

Director



OV-D

Ergonomic



OV-H

OV-H



High backrest

		COM					
	A	B	C	D	E	LEATHER	
S	800	830	860	890	920	1300	
H	820	850	880	910	940	1320	
Z	840	870	900	930	960	1340	
E	900	930	960	990	1020	1400	
MF	920	950	980	1010	1040	1420	
SS	980	1010	1040	1070	1100	1480	
SY	950	980	1010	1040	1070	1450	
K	920	950	980	1010	1040	1420	
P	1400	1430	1460	1490	1520	1900	

OV-D



Director backrest

		COM					
	A	B	C	D	E	LEATHER	
S	840	870	900	930	960	1340	
H	860	890	920	950	980	1360	
Z	880	910	940	970	1000	1380	
E	940	970	1000	1030	1060	1440	
MF	960	990	1020	1050	1080	1460	
SS	1020	1050	1080	1110	1140	1520	
SY	990	1020	1050	1080	1110	1490	
K	960	990	1020	1050	1080	1460	
P	1440	1470	1500	1530	1560	1940	

MECHANISMS

S	Swivel, tilt, seat height adjustment
H	Swivel, tilt, 0° lock, seat height adjustment
Z	Swivel, synchro tilt 2:1, 0° lock, seat height adjustment
E	Swivel, tilt, seat height and angle adjustment and backrest angle adjustment
MF	Swivel, tilt, lock, seat height and backrest angle adjustment
SS	Swivel, tilt, lock, seat height and backrest angle adjustment; seat slider
SY	Swivel, synchro tilt 2:1, 4 position lock, seat slider, seat height adjustment
K	Swivel, knee tilt, lock, seat height adjustment
P	Swivel, knee tilt, lock, seat height and backrest angle adjustment

GAS LIFTS

80	Gas lift 80 mm	-
100	Gas lift 100 mm	-
120	Gas lift 120 mm	-
140	Gas lift 140 mm	30

SEAT

R	Regular seat	Standard
S	Small seat, 19" L x 19" P	60

ARMRESTS

Adjustable	01	Height, width, standard pad	160
	01L	Height, width, soft pad	170
	01S	Height, width, S pad	170
	02	Height, width, contoured pad	150
	04	Height, width, contoured gel pad	210
	05	Height, width, multi-pivot, contoured gel pad	340
	09	Height, width, pivot, contoured gel pad	280
	96	Height, width, depth, pivot, polyurethane pad	190
	96F	Height, width, depth, polyurethane pad	210
	96G	Height, width, depth, pivot, soft pad	210
	98	Height, width, depth, lockable pivot, polyurethane pad	280
	FB	Front/back slider (#01,01L,02,03,04,07,08,09)	50
	H	1 1/2" longer structure (#01,01L,02,03,04,05)	45
	Fixed	27	Polyurethane, C shape
29P		Polished aluminium, polyurethane pad (mech. S,T,K)	170
30		Polyurethane and black metal, closed C shape	150
47		Polyurethane and black metal, C shape	140
60		Polished aluminum, C shape with polyurethane insert	200
	77	Polished aluminum, T shape with polyurethane pad	220

BASES AND CASTERS

SBL	Black nylon	Standard
HBL	Black nylon, high hub	-
AL	Polished aluminium	120
HAL	Polished aluminium, high hub	120
HW	Carpet casters	Standard
SW	Hard surface casters	15
IC	3" heavy duty casters for carpet	50
ICSW	3" heavy duty casters for hard surfaces	65
GL	Glides instead of casters	15

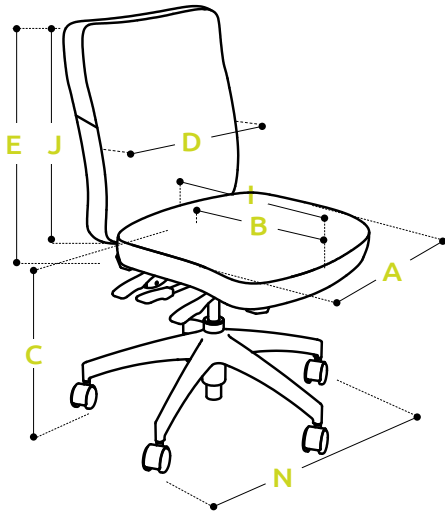
BACKREST OPTION

LU	Inflatable lumbar support	100
----	---------------------------	-----

SEAT OPTION

PS	Pressure sensitive foam (Reg. & L seats)	100
----	--	-----

Ovation



Measures	A	B*	C	D	E	I	J*	N	Weight	Volume	COM
OV-H	20 ^{1/2}	19	17 - 22	19	25	20	22	24	60	19	1.5
	52	48	43 - 56	48	64	51	56	60	27.2	1.8	1.4
OV-D	20 ^{1/2}	19	17 - 22	19	29	20	26	26	61	20	1.6
	52	48	43 - 56	48	74	51	66	66	27.7	1.9	1.5

*B and J are respectively the effective depth of the seat and the effective height of the backrest

Imperial system (inches - pounds - cubic feet - yards)

Metric system (centimeters - kilograms- cubic meters- meters)

Penta

Collection of 4 multi-purpose models made with steel tubing frame. Seat and backrest made of black polypropylene. Many available options including seat and backrest upholstery and a trolley.



Collection

Multi-purpose



PN-4



PN-7



PN-8



PN-L

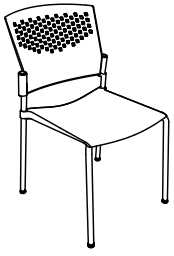
Trolley



PN-20

PN-4

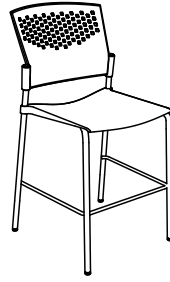
PN-4 300



Four-leg frame
Glides

PN-7

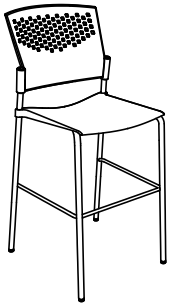
PN-7 370



Counter height stool
Glides

PN-8

PN-8 380



Counter height stool
Glides

PN-L

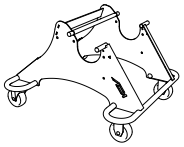
S 400

H 420



PN-20

PN-20 500



Trolley
Capacity for 12 chairs

MECHANISMS

S	Swivel, tilt, seat height adjustment
H	Swivel, tilt, 0° lock, seat height adjustment

GAS LIFTS

80	Gas lift 80 mm	-
100	Gas lift 100 mm	-
120	Gas lift 120 mm	-
140	Gas lift 140 mm	30
200	8" stool kit	160
250	10" stool kit	160

FRAME FINISHES (4-7-8)

C	Chrome (PN-4)	80
C	Chrome (PN-7-8)	100
BL	Black	Standard
SX	Black sandex	-
CH	Charcoal grey	-
SG	Metallic grey	-
PA	Chrome paint (minimum of 10 chairs)	60

BASES AND CASTERS

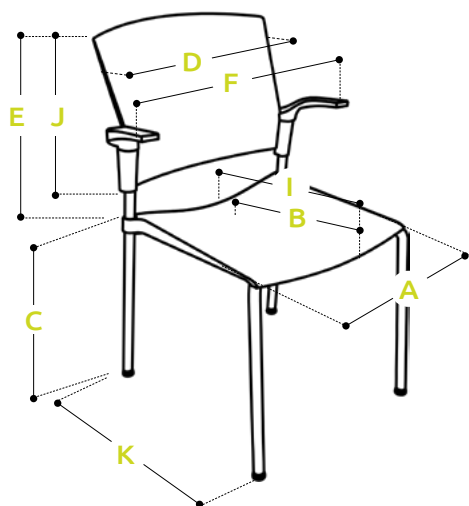
SBL	Black nylon	Standard
HBL	Black nylon, high hub	-
AL	Polished aluminium	120
HAL	Polished aluminium, high hub	120
HW	Carpet casters	Standard
SW	Hard surface casters	15
GL	Glides instead of casters	15
CA	Casters (PN-4)	20
SCA	Hard surface casters (PN-4)	30

ARMRESTS

Adjustable	01L	Height, width, soft pad (PN-L)	170
	01S	Height, width, standard pad (PN-L)	170
Fixed	50	Black polyurethane (PN-4)	40
	66	Black sandex frame with fixed PVC arms (PN-L)	200

SEAT

	Code	A	B	C	D	E	COM
Upholstered backrest 17" L x 11" P x 3/4" H	CPS	120	140	160	180	200	0.8
Upholstered seat 15" L x 11" P x 3/4" H	CPS	120	140	160	180	200	0.8



Measures	A	B*	C	D	E	F	I	J*	K	Weight	Volume
PN-4	17	17 ^{1/2}	18	18	13	22	17	16	21	15	9
	43	44	46	46	33	56	43	40	53	6.8	0.8
PN-7	17	17 ^{1/2}	24	18	13	22	17	16	21	17	11
	43	44	60	46	33	56	43	40	53	7.7	1
PN-8	17	17 ^{1/2}	30	18	13	22	17	16	21	18	13
	43	44	76	46	33	56	43	40	53	8.2	1.2
PN-L	17	17 ^{1/2}	17-22	18	13	22	17	16	24	28	9
	43	44	43 - 56	46	33	56	43	40	60	12.7	0.8

*B and J are respectively the effective depth of the seat and the effective height of the backrest

Imperial system (inches - pounds - cubic feet - yards)

Metric system (centimeters - kilograms- cubic meters- meters)

Scorpio

Collection of 4 multi-purpose models made with steel tubing frame. Seat and backrest made of black polypropylene. Many available options including seat and backrest upholstery and a trolley



Collection

Director



SC-E

SC-E



Executive backrest

	A	^{COM} B	C	D	E	LEATHER
S	1000	1040	1080	1120	1160	1600
H	1020	1060	1100	1140	1180	1620
K	1120	1160	1200	1240	1280	1720

MECHANISMS

S	Swivel, tilt, seat height adjustment
H	Swivel, tilt, 0° lock, seat height adjustment
K	Swivel, knee tilt, lock, seat height adjustment

GAS LIFTS

80	Gas lift 80 mm	-
100	Gas lift 100 mm	-
120	Gas lift 120 mm	-
140	Gas lift 140 mm	30

ARMRESTS

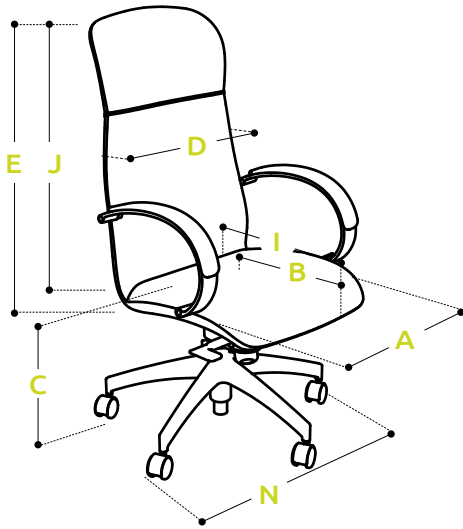
Fixed	29P	Polished aluminum, polyurethane pad	170
	60	Polished aluminum, C shape with polyurethane insert	200
	77	Polished aluminum, T shape with polyurethane pad	220

BASES AND CASTERS

SBL	Black nylon	Standard
HBL	Black nylon, high hub	-
AL	Polished aluminium	120
HAL	Polished aluminium, high hub	120
HW	Carpet casters	Standard
SW	Hard surface casters	15
IC	3" heavy duty casters for carpet (standard with mech. B)	50
ICSW	3" heavy duty casters for carpet (standard with mech. B)	65
GL	Glides instead of casters	15

SEALED STITCHES

CSC	All models	150
-----	------------	-----



Measures	A	B*	C	D	E	I	J*	N	Weight	Volume	COM
SC-E	20 ^{1/2}	18	17 ^{1/2} - 22 ^{1/2}	18	33	19	30	26	58	23	2.4
	52	46	44 - 57	46	84	48	76	66	26.3	2.1	0.2

*B and J are respectively the effective depth of the seat and the effective height of the backrest

Imperial system (inches - pounds - cubic feet - yards)

Metric system (centimeters - kilograms- cubic meters- meters)

Sensaflex

Collection of 3 ergonomic models. Seat and backrest made of steel tubing with moulded and cut foam and upholstered using the Suspension technique. Seat slip covers equipped with zippers to allow for easy replacement. Many available options including an inflatable lumbar support and multiple seat sizes.



Collection

Director



SA-D



SA-E

Ergonomic



SA-H

SA-H

COM

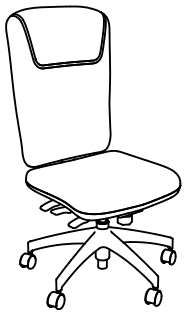


High backrest

	A	B	C	D	E	LEATHER
S	820	860	900	940	980	1420
H	840	880	920	960	1000	1440
Z	860	900	940	980	1020	1460
E	920	960	1000	1040	1080	1520
MF	940	980	1020	1060	1100	1540
SS	1000	1040	1080	1120	1160	1600
SY	970	1010	1050	1090	1130	1570
K	940	980	1020	1060	1100	1540
P	1420	1460	1500	1540	1580	2020
B	1320	1360	1400	1440	1480	1920

SA-D

COM

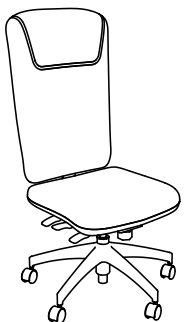


Director backrest

	A	B	C	D	E	LEATHER
S	940	980	1020	1060	1100	1540
H	960	1000	1040	1080	1120	1560
Z	980	1020	1060	1100	1140	1580
E	1040	1080	1120	1160	1200	1640
MF	1060	1100	1140	1180	1220	1660
SS	1120	1160	1200	1240	1280	1720
SY	1090	1130	1170	1210	1250	1690
K	1060	1100	1140	1180	1220	1660
P	1540	1580	1620	1660	1700	2140
B	1440	1480	1520	1560	1600	2040

SA-E

COM



Executive backrest

	A	B	C	D	E	LEATHER
S	980	1020	1060	1100	1140	1580
H	1000	1040	1080	1120	1160	1600
Z	1020	1060	1100	1140	1180	1620
E	1080	1120	1160	1200	1240	1680
MF	1100	1140	1180	1220	1260	1700
SS	1160	1200	1240	1280	1320	1760
SY	1130	1170	1210	1250	1290	1730
K	1100	1140	1180	1220	1260	1700
P	1580	1620	1660	1700	1740	2180
B	1480	1520	1560	1600	1640	2080

MECHANISMS

S	Swivel, tilt, seat height adjustment
H	Swivel, tilt, 0° lock, seat height adjustment
Z	Swivel, synchro tilt 2:1, 0° lock, seat height adjustment
E	Swivel, tilt, seat height and angle adjustment and backrest angle adjustment
MF	Swivel, tilt, lock, seat height and backrest angle adjustment
SS	Swivel, tilt, lock, seat height and backrest angle adjustment, seat slider
SY	Swivel, synchro tilt 2:1, 4 position lock, seat slider, seat height adjustment
K	Swivel, knee tilt, lock, seat height adjustment
P	Swivel, knee tilt, lock, seat height and backrest angle adjustment
B	24/7 use, tilt, lock, seat height and backrest angle adjustment

BACKREST

SPB	Regular back upright	Standard
RB	Ratchet backrest (standard with B & SY mech.)	80
HPB2	2" extended back upright	30
HRB	2" extended back upright (ratchet)	30

GAS LIFTS

80	Gas lift 80 mm	-
100	Gas lift 100 mm	-
120	Gas lift 120 mm	-
140	Gas lift 140 mm	30
200	8" stool kit (E & S mech., H backrest)	160
250	10" stool kit (E & S mech., H backrest)	160

SEAT

R	Regular seat	Standard
L	Large seat, 21" L x 20" P	60
S	Small seat, 19" L x 18" P	60

ARMRESTS

	01	Height, width, standard pad	160
	01L	Height, width, soft pad	170
	01S	Height, width, S pad	170
	02	Height, width, contoured pad	150
	04	Height, width, contoured gel pad	210
	05	Height, width, multi-pivot, contoured gel pad	340
	09	Height, width, pivot, contoured gel pad	280
Adjustable	16	Retractable, height, width, regular pad	220
	96	Height, width, depth, pivot, polyurethane pad	190
	96F	Height, width, depth, polyurethane pad	210
	96G	Height, width, depth, pivot, soft pad	210
	98	Height, width, depth, lockable pivot, polyurethane pad	280
	FB	Front/back slider (#01,01L,02,03,04,07,08,09)	50
	H	11/2" longer structure (#01,01L,02,03,04,05)	40

ARMRESTS

	11	Polypropylene, C shape	120
	12	Polypropylene, T shape	120
	27	Polyurethane, C shape	150
Fixed	30	Polyurethane and black metal, closed C shape	150
	47	Polyurethane and black metal, C shape	140
	60	Polished aluminum, C shape with polyurethane insert	200
	77	Polished aluminum, T shape with polyurethane pad	220

BASES AND CASTERS

SBL	Black nylon	Standard
HBL	Black nylon, high hub	-
AL	Polished aluminium (standard with mech. B)	120
HAL	Polished aluminium, high hub	120
HW	Carpet casters	Standard
SW	Hard surface casters	15
IC	3" heavy duty casters for carpet (standard with mech. B)	50
ICSW	3" heavy duty casters for hard surfaces	65
GL	Glides instead of casters	15

BACKREST OPTION

LU	Inflatable lumbar support	100
----	---------------------------	-----

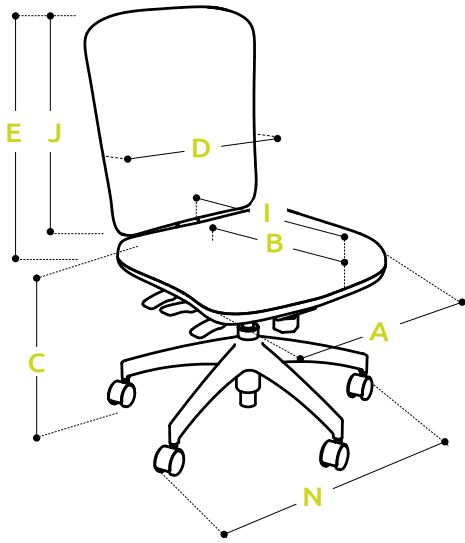
SEAT OPTION

PS	Pressure sensitive foam (Reg. & L seats)	100
----	--	-----

SEALED STITCHES

CSC	All models	150
-----	------------	-----

Sensaflex



Measures	A	B*	C	D	E	I	J*	N	Weight	Volume	COM
SA-H	19 ^{1/2}	18 ^{1/2}	17 ^{1/2} - 22 ^{1/2}	20	22	19 ^{1/2}	19 - 22	24	54	16	1.4
	50	47	44 - 57	51	56	50	48 - 56	60	24.5	1.5	1.3
SA-D	19 ^{1/2}	18 ^{1/2}	17 ^{1/2} - 22 ^{1/2}	20	27	19 ^{1/2}	26 - 29	26	59	18	1.6
	50	47	44 - 57	51	69	50	66 - 74	66	26.8	1.7	1.5
SA-E	19 ^{1/2}	18 ^{1/2}	17 ^{1/2} - 22 ^{1/2}	20	30	19 ^{1/2}	29 - 31	26	60	20	1.7
	50	47	44 - 57	51	76	50	74 - 79	66	27.2	1.9	1.6

*B and J are respectively the effective depth of the seat and the effective height of the backrest

Imperial system (inches - pounds - cubic feet - yards)

Metric system (centimeters - kilograms- cubic meters- meters)

Tact

Collection of 4 ergonomic and 4 multi-purpose models. Seat made of steel tubing with moulded foam and upholstered using the Suspension technique. Backrest made of steel tubing and a knit cover available in 60 colors. Seat slip covers equipped with zippers to allow for easy replacement. Many available options including a removable, height adjustable lumbar support and multiple seat sizes.



Collection

Director



TA-D



TA-E

Ergonomic



TA-L



TA-H

Multi-purpose



TA-L-4



TA-L-6



TA-H-4



TA-H-6

TA-L

COM

A B C D E LEATHER

S	700	720	740	760	780	1000
H	720	740	760	780	800	1020
Z	740	760	780	800	820	1040
E	800	820	840	860	880	1100
MF	820	840	860	880	900	1120
SS	880	900	920	940	960	1180
SY	850	870	890	910	930	1150



Low backrest

TA-H

COM

A B C D E LEATHER

S	740	760	780	800	820	1040
H	760	780	800	820	840	1060
Z	780	800	820	840	860	1080
E	840	860	880	900	920	1140
MF	860	880	900	920	940	1160
SS	920	940	960	980	1000	1220
SY	890	910	930	950	970	1190
K	860	880	900	920	940	1160
P	1340	1360	1380	1400	1420	1640
B	1240	1260	1280	1300	1320	1540



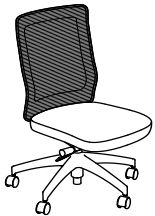
High backrest

TA-D

COM

A B C D E LEATHER

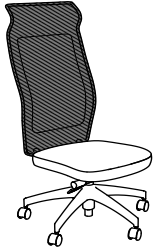
S	780	800	820	840	860	1080
H	800	820	840	860	880	1100
Z	820	840	860	880	900	1120
E	880	900	920	940	960	1180
MF	900	920	940	960	980	1200
SS	960	980	1000	1020	1040	1260
SY	930	950	970	990	1010	1230
K	900	920	940	960	980	1200
P	1380	1400	1420	1440	1460	1680
B	1280	1300	1320	1340	1360	1580



Director backrest

COM

TA-E



Executive backrest

	A	B	C	D	E	LEATHER
S	860	880	900	920	940	1160
H	880	900	920	940	960	1180
Z	900	920	940	960	980	1200
E	960	980	1000	1020	1040	1260
MF	980	1000	1020	1040	1060	1280
SS	1040	1060	1080	1100	1120	1340
SY	1010	1030	1050	1070	1090	1310
K	980	1000	1020	1040	1060	1280
P	1460	1480	1500	1520	1540	1760
B	1360	1380	1400	1420	1440	1660



TA-L-4



TA-L-6



TA-H-4



TA-H-6

		A	B	C	D	E	LEATHER
TA-L-4	Four-leg frame with casters	620	640	660	680	700	920
TA-L-6	Cantilever frame with glides and 56 armrests	690	710	730	750	770	990
TA-H-4	Four-leg frame with casters	660	680	700	720	740	960
TA-H-6	Cantilever frame with glides and 56 armrests	730	750	770	790	810	1030

MECHANISMS

S	Swivel, tilt, seat height adjustment
H	Swivel, tilt, 0° lock, seat height adjustment
Z	Swivel, synchro tilt 2:1, 0° lock, seat height adjustment
E	Swivel, tilt, seat height and angle adjustment and backrest angle adjustment
MF	Swivel, tilt, lock, seat height and backrest angle adjustment
SS	Swivel, tilt, lock, seat height and backrest angle adjustment, seat slider
SY	Swivel, synchro tilt 2:1, 4 position lock, seat slider, seat height adjustment
K	Swivel, knee tilt, lock, seat height adjustment
P	Swivel, knee tilt, lock, seat height adjustment and backrest angle adjustment
B	24/7 use, tilt, lock, seat height and backrest angle adjustment

GAS LIFTS

80	Gas lift 80 mm	-
100	Gas lift 100 mm	-
120	Gas lift 120 mm	-
140	Gas lift 140 mm	30
200	8" stool kit (E & S mech., L & H backrests)	160
250	10" stool kit (E & S mech., L & H backrests)	160

SEAT

R	Regular seat	Standard
L	Large seat, 21" L x 20" P	60
S	Small seat, 19 1/2" L x 18" P	60

ARMRESTS

	01	Height, width, standard pad	160
	01L	Height, width, soft pad	170
	01S	Height, width, S pad	170
	02	Height, width, contoured pad	150
	04	Height, width, contoured gel pad	210
	05	Height, width, multi-pivot, contoured gel pad	340
Adjustable	09	Height, width, pivot, contoured gel pad	280
	96	Height, width, depth, pivot, polyurethane pad	190
	96F	Height, width, depth, polyurethane pad	210
	96G	Height, width, depth, pivot, soft pad	210
	98	Height, width, depth, lockable pivot, polyurethane pad	280
	FB	Front/back slider (#01,01L,02,03,04,07,08,09)	50
	H	1 1/2" longer structure (#01,01L,02,03,04,05)	40

ARMRESTS

Fixed	11	Polypropylene, C shape	120
	12	Polypropylene, T shape	120
	27	Polyurethane, C shape	150
	30	Polyurethane and black metal, closed C shape	150
	47	Polyurethane and black metal, C shape	140
	60	Polished aluminum, C shape with polyurethane insert	200
	77	Polished aluminum, T shape with polyurethane pad	220

FRAME FINISHES

N	Black	Standard
SX	Black sandex	-
C	Chrome	80

BASES AND CASTERS

SBL	Black nylon	Standard
HBL	Black nylon, high hub	-
AL	Polished aluminium (standard with mech. B)	120
HAL	Polished aluminium, high hub	120
HW	Carpet casters	Standard
SW	Hard surface casters	15
IC	3" heavy duty casters for carpet (standard with mech. B)	50
ICSW	3" heavy duty casters for hard surfaces	65
GL	Glides instead of casters	15

BACKREST OPTIONS

TR	Ribbed knit	-
LU	Inflatable lumbar support adjustable in height	65
RD	Round backrest top (H, D & E backrests)	-

SEAT OPTION

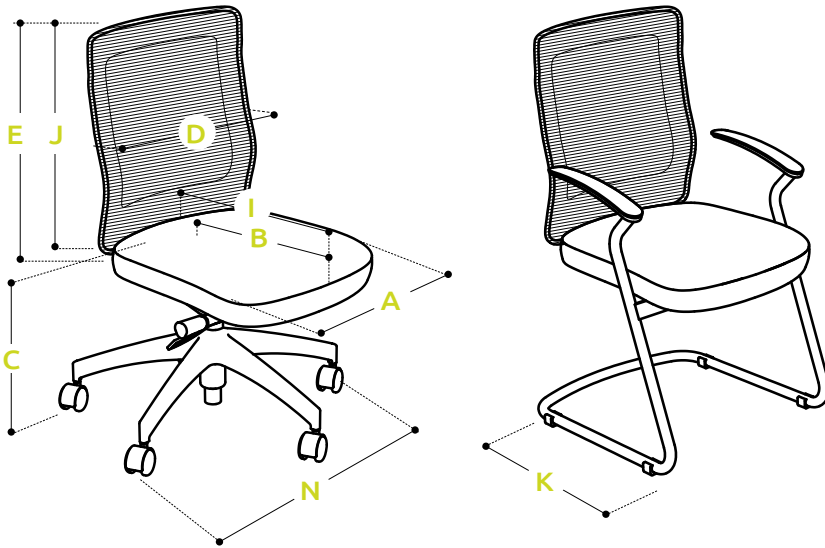
PS	Pressure sensitive foam (Reg. & L seats)	100
----	--	-----

HEADREST OPTIONS

PI	Headrest (backrest E)	90
	Choice of 3 standard knit colors (black 7209, medium grey 7273, light grey 7299)	-
	Choice of 57 additional colors : 5 chair minimum	

MESH

7209	Black	Standard
7273	Medium grey	-
7299	Pale grey	-
	Choice of 57 additional colors : 5 chair minimum	



Measures	A	B*	C	D	E	I	J*	K	N	Weight	Volume	COM
TA-L	19 ^{1/2}	18 ^{1/2}	17 ^{1/2} - 22 ^{1/2}	18	19	19	16	-	24	47	14	1.0
	50	47	44 - 57	46	48	48	40	-	60	21.3	1.3	0.9
TA-H	19 ^{1/2}	18 ^{1/2}	18	18	24	19	22	-	24	49	15	1.0
	50	47	46	46	60	48	56	-	60	22.2	1.4	0.9
TA-D	19 ^{1/2}	18 ^{1/2}	18	18	26 ^{1/2}	19	23 ^{1/2}	-	26	52	16	1.0
	50	47	46	46	67	48	60	-	66	23.6	1.5	0.9
TA-E	19 ^{1/2}	18 ^{1/2}	18	18	33	19	30	-	26	55	17	1.0
	50	47	46	46		48	76	-	66	25	1.6	0.9
TA-L-4	19 ^{1/2}	18 ^{1/2}	18	18	19	19	17	23	-	32	13	1.0
	50	47	46	46	48	48	43	58	-	14.5	1.2	0.9
TA-L-6	19 ^{1/2}	18 ^{1/2}	18	18	19	19	17	23	-	35	13	1.0
	50	47	46	46	48	48	43	58	-	15.9	1.2	0.9
TA-H-4	19 ^{1/2}	18 ^{1/2}	18	18	24	19	22	23	-	34	14	1.0
	50	47	46	46	60	48	56	58	-	15.4	1.3	0.9
TA-H-6	19 ^{1/2}	18 ^{1/2}	18	18	24	19	22	23	-	37	14	1.0
	50	47	46	46	60	48	56	58	-	16.8	1.3	0.9

*B and J are respectively the effective depth of the seat and the effective height of the backrest

Imperial system (inches - pounds - cubic feet - yards)

Metric system (centimeters - kilograms - cubic meters - meters)

Top

Collection of 3 ergonomic models. Seat and backrest made of steel tubing with moulded and cut foam and upholstered using the Suspension technique. Seat slip covers equipped with zippers to allow for easy replacement. Many available options including an inflatable lumbar support and multiple seat sizes.



Collection

Director



TP-D

Ergonomic

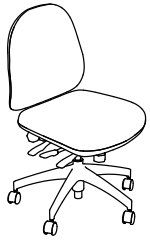


TP-L



TP-H

TP-L



Low backrest

	COM					
	A	B	C	D	E	LEATHER
S	580	610	640	670	700	1080
H	600	630	660	690	720	1100
Z	620	650	680	710	740	1120
E	680	710	740	770	800	1180
MF	700	730	760	790	820	1200
SS	760	790	820	850	880	1260
SY	730	760	790	820	850	1230

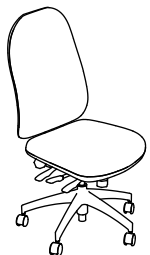
TP-H



High backrest

	COM					
	A	B	C	D	E	LEATHER
S	620	650	680	710	740	1120
H	640	670	700	730	760	1140
Z	660	690	720	750	780	1160
E	720	750	780	810	840	1220
MF	740	770	800	830	860	1240
SS	800	830	860	890	920	1300
SY	770	800	830	860	890	1270
K	740	770	800	830	860	1240
P	1220	1250	1280	1310	1340	1720
B	1120	1150	1180	1210	1240	1620

TP-D



Director backrest

	COM					
	A	B	C	D	E	LEATHER
S	660	690	720	750	780	1160
H	680	710	740	770	800	1180
Z	700	730	760	790	820	1200
E	760	790	820	850	880	1260
MF	780	810	840	870	900	1280
SS	840	870	900	930	960	1340
SY	810	840	870	900	930	1310
K	780	810	840	870	900	1280
P	1260	1290	1320	1350	1380	1760
B	1160	1190	1220	1250	1280	1660

MECHANISMS

S	Swivel, tilt, seat height adjustment
H	Swivel, tilt, 0° lock, seat height adjustment
Z	Swivel, synchro tilt 2:1, 0° lock, seat height adjustment
E	Swivel, tilt, seat height and angle adjustment and backrest angle adjustment
MF	Swivel, tilt, lock, seat height and backrest angle adjustment
SS	Swivel, tilt, lock, seat height and backrest angle adjustment, seat slider
SY	Swivel, synchro tilt 2:1, 4 position lock, seat slider, seat height adjustment
K	Swivel, knee tilt, lock, seat height adjustment
P	Swivel, knee tilt, lock, seat height and backrest angle adjustment
B	24/7 use, tilt, lock, seat height and backrest angle adjustment

BACKREST

SPB	Regular back upright	Standard
RB	Ratchet backrest (standard with B & SY mech.)	80
HPB2	2" extended back upright	30
HRB	2" extended back upright (ratchet)	30

GAS LIFTS

80	Gas lift 80 mm	-
100	Gas lift 100 mm	-
120	Gas lift 120 mm	-
140	Gas lift 140 mm	30
200	8" stool kit (E & S mech., L & H backrests)	160
250	10" stool kit (E & S mech., L & H backrests)	160

SEAT

R	Regular seat	Standard
L	Large seat, 21" L x 20" P	60
S	Small seat, 19" L x 18" P	60
XS	Extra small seat, 17" L x 17" P	60

ARMRESTS

	01	Height, width, standard pad	160
	01L	Height, width, soft pad	170
	01S	Height, width, S pad	170
	02	Height, width, contoured pad	150
	04	Height, width, contoured gel pad	210
	05	Height, width, multi-pivot, contoured gel pad	340
Adjustable	09	Height, width, pivot, contoured gel pad	280
	96	Height, width, depth, pivot, polyurethane pad	190
	96F	Height, width, depth, polyurethane pad	210
	96G	Height, width, depth, pivot, soft pad	210
	98	Height, width, depth, lockable pivot, polyurethane pad	280
	FB	Front/back slider (#01,01L,02,03,04,07,08,09)	50
	H	11/2" longer structure (#01,01L,02,03,04,05)	40

ARMRESTS

Fixed	11	Polypropylene, C shape	120
	12	Polypropylene, T shape	120
	27	Polyurethane, C shape	150
	30	Polyurethane and black metal, closed C shape	150
	47	Polyurethane and black metal, C shape	140
	60	Polished aluminum, C shape with polyurethane insert	200
	77	Polished aluminum, T shape with polyurethane pad	220

BASES AND CASTERS

SBL	Black nylon	Standard
HBL	Black nylon, high hub	-
AL	Polished aluminium (standard with mech. B)	120
HAL	Polished aluminium, high hub	120
HW	Carpet casters	Standard
SW	Hard surface casters	15
IC	3" heavy duty casters for carpet (standard with mech. B)	50
ICSW	3" heavy duty casters for hard surfaces	65
GL	Glides instead of casters	15

BACKREST OPTION

LU	Inflatable lumbar support	100
----	---------------------------	-----

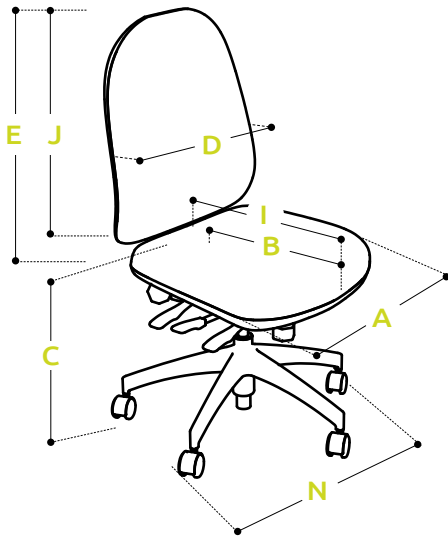
SEAT OPTION

PS	Pressure sensitive foam (Reg. & L seats)	100
----	--	-----

SEALED STITCHES

CSC	All models	150
-----	------------	-----

Top



Measures	A	B*	C	D	E	I	J*	N	Weight	Volume	COM
TP-L	20	17 ^{1/2}	17 ^{1/2} - 22 ^{1/2}	16	16	20	15 - 18	24	44	15	1.3
	51	44	44 - 57	40	40	51	38 - 46	60	20	1.4	1.2
TP-H	20	17 ^{1/2}	17 ^{1/2} - 22 ^{1/2}	16	20	20	19 - 22	26	46	16	1.4
	51	44	44 - 57	40	51	51	48 - 56	66	20.9	1.5	1.3
TP-D	20	17 ^{1/2}	17 ^{1/2} - 22 ^{1/2}	16	26	20	25 - 28	26	49	16	1.6
	51	44	44 - 57	40	66	51	64 - 71	66	22.2	1.5	1.5

*B and J are respectively the effective depth of the seat and the effective height of the backrest

Imperial system (inches - pounds - cubic feet - yards)

Metric system (centimeters - kilograms - cubic meters - meters)

Viva

Collection of 3 ergonomic models. Seat and backrest made of steel tubing with moulded foam and upholstered using the Suspension technique. Seat slip covers equipped with zippers to allow for easy replacement. Many available options including an inflatable lumbar support and multiple seat sizes.



Collection

Director



VI-D

Ergonomic



VI-L



VI-H

VI-L



Low backrest

	COM					
	A	B	C	D	E	LEATHER
S	640	670	700	730	760	1140
H	660	690	720	750	780	1160
Z	680	710	740	770	800	1180
E	740	770	800	830	860	1240
MF	760	790	820	850	880	1260
SS	820	850	880	910	940	1320
SY	790	820	850	880	910	1290

VI-H



High backrest

	COM					
	A	B	C	D	E	LEATHER
S	680	710	740	770	800	1180
H	700	730	760	790	820	1200
Z	720	750	780	810	840	1220
E	780	810	840	870	900	1280
MF	800	830	860	890	920	1300
SS	860	890	920	950	980	1360
SY	830	860	890	920	950	1330
K	800	830	860	890	920	1300
P	1280	1310	1340	1370	1400	1780
B	1180	1210	1240	1270	1300	1680

VI-D



Director backrest

	COM					
	A	B	C	D	E	LEATHER
S	720	750	780	810	840	1220
H	740	770	800	830	860	1240
Z	760	790	820	850	880	1260
E	820	850	880	910	940	1320
MF	840	870	900	930	960	1340
SS	900	930	960	990	1020	1400
SY	870	900	930	960	990	1370
K	840	870	900	930	960	1340
P	1320	1350	1380	1410	1440	1820
B	1220	1250	1280	1310	1340	1720

MECHANISMS

S	Swivel, tilt, seat height adjustment
H	Swivel, tilt, 0° lock, seat height adjustment
Z	Swivel, synchro tilt 2:1, 0° lock, seat height adjustment
E	Swivel, tilt, seat height and angle adjustment and backrest angle adjustment
MF	Swivel, tilt, lock, seat height and backrest angle adjustment
SS	Swivel, tilt, lock, seat height and backrest angle adjustment, seat slider
SY	Swivel, synchro tilt 2:1, 4 position lock, seat slider, seat height adjustment
K	Swivel, knee tilt, lock, seat height adjustment
P	Swivel, knee tilt, lock, seat height and backrest angle adjustment
B	24/7 use, tilt, lock, seat height and backrest angle adjustment

BACKREST

SPB	Regular back upright	Standard
RB	Ratchet back (standard with mech. B & SY)	80
HPB2	2" extended back upright	30
HRB	2" extended back upright (ratchet)	30

GAS LIFTS

80	Gas lift 80 mm	-
100	Gas lift 100 mm	-
120	Gas lift 120 mm	-
140	Gas lift 140 mm	30
200	8" stool kit (E & S mech., L & H backrests)	160
250	10" stool kit (E & S mech., L & H backrests)	160

SEAT

R	Regular seat	Standard
L	Large seat, 21" L x 20" P	60
S	Small seat, 19" L x 18" P	60

ARMRESTS

	01	Height, width, standard pad	160
	01L	Height, width, soft pad	170
	01S	Height, width, S pad	170
	02	Height, width, contoured pad	150
	04	Height, width, contoured gel pad	210
	05	Height, width, multi-pivot, contoured gel pad	340
Adjustable	09	Height, width, pivot, contoured gel pad	280
	96	Height, width, depth, pivot, polyurethane pad	190
	96F	Height, width, depth, polyurethane pad	210
	96G	Height, width, depth, pivot, soft pad	210
	98	Height, width, depth, lockable pivot, polyurethane pad	280
	FB	Front/back slider (#01,01L,02,03,04,07,08,09)	50
	H	1 1/2" longer structure (#01,01L,02,03,04,05)	40

ARMRESTS

Fixed	11	Polypropylene, C shape	120
	12	Polypropylene, T shape	120
	27	Polyurethane, C shape	150
	30	Polyurethane and black metal, closed C shape	150
	47	Polyurethane and black metal, C shape	140
	60	Polished aluminum, C shape with polyurethane insert	200
	77	Polished aluminum, T shape with polyurethane pad	220

BASES AND CASTERS

SBL	Black nylon	Standard
HBL	Black nylon, high hub	-
AL	Polished aluminium (standard with mech. B)	120
HAL	Polished aluminium, high hub	120
HW	Carpet casters	Standard
SW	Hard surface casters	15
IC	3" heavy duty casters for carpet (standard with mech. B)	50
ICSW	3" heavy duty casters for hard surfaces	65
GL	Glides instead of casters	15

BACKREST OPTION

LU	Inflatable lumbar support	100
----	---------------------------	-----

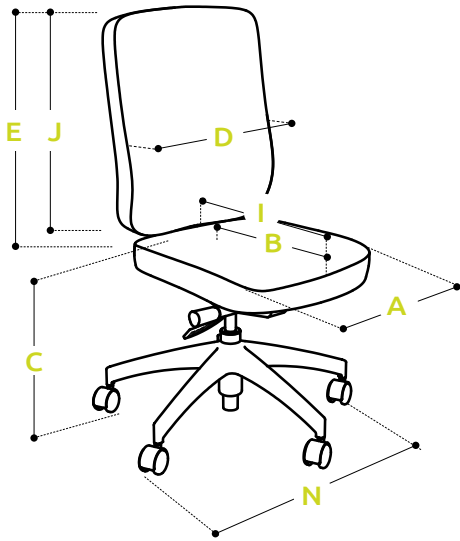
SEAT OPTION

PS	Pressure sensitive foam (Reg. & L seats)	100
----	--	-----

SEALED STITCHES

CSC	All models	150
-----	------------	-----

Viva



Measures	A	B*	C	D	E	I	J*	N	Weight	Volume	COM
VI-L	19 ^{1/2}	16 ^{1/2}	17 - 22	17 ^{1/2}	18	19 ^{1/2}	19	24	49	14	1.2
	50	42	43 - 56	44	46	50	48	60	22.2	1.3	1.1
VI-H	19 ^{1/2}	16 ^{1/2}	17 - 22	17 ^{1/2}	22	19 ^{1/2}	22 - 25	24	51	16	1.3
	50	42	43 - 56	44	56	50	56 - 64	60	23.1	1.5	1.2
VI-D	19 ^{1/2}	16 ^{1/2}	17 - 22	17 ^{1/2}	26	19 ^{1/2}	25 - 28	26	56	17	1.4
	50	42	43 - 56	44	66	50	64 - 71	66	25.4	1.6	1.3

*B and J are respectively the effective depth of the seat and the effective height of the backrest

Imperial system (inches - pounds - cubic feet - yards)

Metric system (centimeters - kilograms- cubic meters- meters)

Voilà

Collection of 3 ergonomic and 4 multi-purpose models. Seat made of steel tubing with moulded foam and upholstered using the Suspension technique. Backrest made black polished aluminum and chrome and a knit cover available in 60 colors. Seat slip covers equipped with zippers to allow for easy replacement. Many available options including a removable, inflatable, height adjustable lumbar support and multiple seat sizes.



Collection

Director



VO-E

Ergonomic



VO-L



VO-H

Multi-purpose



VO-L-4



VO-L-6



VO-H-4

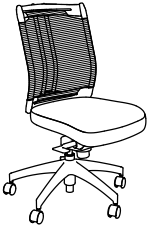


VO-H-6

VO-L

COM

	A	B	C	D	E	LEATHER
S	900	920	940	960	980	1200
H	920	940	960	980	1000	1220
E	1000	1020	1040	1060	1080	1300
MF	1020	1040	1060	1080	1100	1320
SS	1080	1100	1120	1140	1160	1380
SY	1050	1070	1090	1110	1130	1350
K	1020	1040	1060	1080	1100	1320
P	1500	1520	1540	1560	1580	1800
B	1400	1420	1440	1460	1480	1700

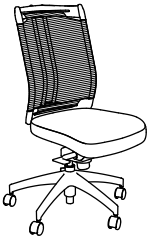


Low backrest

VO-H

COM

	A	B	C	D	E	LEATHER
S	940	960	980	1000	1020	1240
H	960	980	1000	1020	1040	1260
E	1040	1060	1080	1100	1120	1340
MF	1060	1080	1100	1120	1140	1360
SS	1120	1140	1160	1180	1200	1420
SY	1090	1110	1130	1150	1170	1390
K	1060	1080	1100	1120	1140	1360
P	1540	1560	1580	1600	1620	1840
B	1440	1460	1480	1500	1520	1740

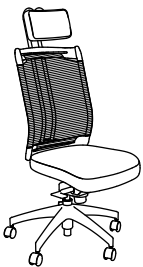


High backrest

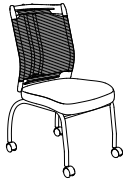
VO-E

COM

	A	B	C	D	E	LEATHER
S	1100	1120	1140	1160	1180	1400
H	1120	1140	1160	1180	1200	1420
E	1200	1220	1240	1260	1280	1500
MF	1220	1240	1260	1280	1300	1520
SS	1280	1300	1320	1340	1360	1580
SY	1250	1270	1290	1310	1330	1550
K	1220	1240	1260	1280	1300	1520
P	1700	1720	1740	1760	1780	2000
B	1600	1620	1640	1660	1680	1900



Executive backrest



VO-L-4



VO-L-6



VO-H-4



VO-H-6

		A	B	C	D	E	LEATHER
VO-L-4	Four-leg frame with casters	830	850	870	890	910	1130
VO-L-6	Cantilever frame with glides and 56 armrests	900	920	940	960	980	1200
VO-H-4	Four-leg frame with casters	870	890	910	930	950	1170
VO-H-6	Cantilever frame with glides and 56 armrests	940	960	980	1000	1020	1240

MECHANISMS

S	Swivel, tilt, seat height adjustment
H	Swivel, tilt, 0° lock, seat height adjustment
E	Swivel, tilt, seat height and angle adjustment and backrest angle adjustment
MF	Swivel, tilt, lock, seat height and backrest angle adjustment
SS	Swivel, tilt, lock, seat height and backrest angle adjustment, seat slider
SY	Swivel, synchro tilt 2:1, 4 position lock, seat slider, seat height adjustment
K	Swivel, knee tilt, lock, seat height adjustment
P	Swivel, knee tilt, lock, seat height and backrest angle adjustment
B	24/7 use, tilt, lock, seat height and backrest angle adjustment

GAS LIFTS

80	Gas lift 80 mm	-
100	Gas lift 100 mm	-
120	Gas lift 120 mm	-
140	Gas lift 140 mm	30
200	8" stool kit (E & S mech., L & H backrests)	160
250	10" stool kit (E & S mech., L & H backrests)	160

SEAT

R	Regular seat	Standard
L	Large seat, 21" L x 20" P	60
S	Small seat, 19" L x 18" P	60

ARMRESTS

	01	Height, width, standard pad	160
	01L	Height, width, soft pad	170
	01S	Height, width, S pad	170
	02	Height, width, contoured pad	150
	04	Height, width, contoured gel pad	210
	05	Height, width, multi-pivot, contoured gel pad	340
Adjustable	09	Height, width, pivot, contoured gel pad	280
	96	Height, width, depth, pivot, polyurethane pad	190
	96F	Height, width, depth, polyurethane pad	210
	96G	Height, width, depth, pivot, soft pad	210
	98	Height, width, depth, lockable pivot, polyurethane pad	280
	FB	Front/back slider (#01,01L,02,03,04,07,08,09)	50
	H	1 1/2" longer structure (#01,01L,02,03,04,05)	40
	11	Polypropylene, C shape	120
	12	Polypropylene, T shape	120
	27	Polyurethane, C shape	150
Fixed	30	Polyurethane and black metal, closed C shape	150
	47	Polyurethane and black metal, C shape	140
	60	Polished aluminum, C shape with polyurethane insert	200
	77	Polished aluminum, T shape with polyurethane pad	220

FRAME FINISHES

N	Black	Standard
SX	Black sandex	-
C	Chrome	100

Other finishes available upon request

BASES AND CASTERS

SBL	Black nylon	Standard
HBL	Black nylon, high hub	-
AL	Polished aluminium (standard with mech. B)	120
HAL	Polished aluminium, high hub	120
HW	Carpet casters	Standard
SW	Hard surface casters	15
IC	3" heavy duty casters for carpet (standard with mech. B)	50
ICSW	3" heavy duty casters for hard surfaces	65
GL	Glides instead of casters	15

HEADREST OPTION (VO-E)

Headrest upholstery matching seat

Code	A	B	C	D	E	LEATHER
CPH	50	55	60	65	70	100

BACKREST OPTIONS

BF	Black backrest frame	Standard
AF	Polished aluminum backrest frame	95
LU	Inflatable lumbar support	115

SEAT OPTION

PS	Pressure sensitive foam (Reg. & L seats)	100
----	--	-----

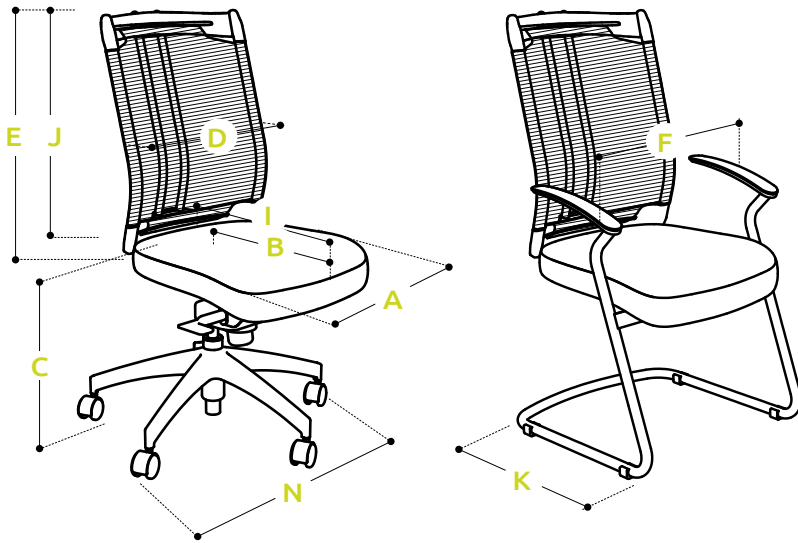
SEALED STITCHES

CSC	All models	150
-----	------------	-----

MESH

7209	Black	-
7273	Medium grey	-
7299	Pale grey	-

Choice of 57 additional colors : 5 chair minimum



Measures	A	B*	C	D	E	F	I	J*	K	N	Weight	Volume	COM
VO-L	20	18 ^{1/2}	17 - 22	18	22	-	19 ^{1/2}	21	-	24	44	16	1.0
	51	47	43 - 56	46	56	-	50	53	-	60	20	1.5	0.9
VO-H	20	18 ^{1/2}	17 - 22	18	24	-	19 ^{1/2}	23	-	24	44	18	1.0
	51	47	43 - 56	46	60	-	50	58	-	60	20	1.7	0.9
VO-E	20	18 ^{1/2}	17 - 22	18	30 ^{1/2} - 34	-	19 ^{1/2}	29 ^{1/2} - 33	-	26	51	21	1.0
	51	47	43 - 56	46	77 - 86	-	50	75 - 84	-	66	23.1	2	0.9
VO-L-4	20	18 ^{1/2}	18	18	22	-	19 ^{1/2}	21	26 ^{1/2}	-	38	16	1.0
	51	47	46	46	56	-	50	53	67	-	17.2	1.5	0.9
VO-L-6	20	18 ^{1/2}	18	18	22	23	19 ^{1/2}	21	26 ^{1/2}	-	41	16	1.0
	51	47	46	46	56	58	50	53	67	-	18.6	1.5	0.9
VO-H-4	20	18 ^{1/2}	18	18	24	-	19 ^{1/2}	23	26 ^{1/2}	-	39	16	1.0
	51	47	46	46	60	-	50	58	67	-	17.7	1.5	0.9
VO-H-6	20	18 ^{1/2}	18	18	24	23	19 ^{1/2}	23	26 ^{1/2}	-	42	16	1.0
	51	47	46	46	60	58	50	58	67	-	19	1.5	0.9

*B and J are respectively the effective depth of the seat and the effective height of the backrest

Imperial system (inches - pounds - cubic feet - yards)

Metric system (centimeters - kilograms - cubic meters - meters)

Wave

Collection of 1 ergonomic and 2 multi-purpose models. Seat made of steel tubing with moulded foam and upholstered using the Suspension technique. Backrest made of black or grey nylon. Seat slip covers equipped with zippers to allow for easy replacement. Many available options including a writing tablet and multiple seat sizes.



Collection

Ergonomic



WE-H

Multi-purpose



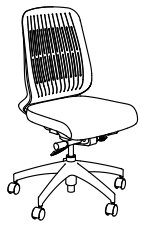
WE-H-4



WE-H-6

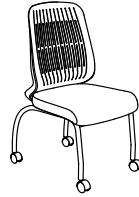
WE-H

COM

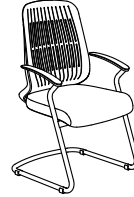


High backrest

	A	B	C	D	E	LEATHER
S	600	620	640	660	680	900
H	620	640	660	680	700	920
Z	640	660	680	700	720	940
E	700	720	740	760	780	1000
MF	720	740	760	780	800	1020
SS	780	800	820	840	860	1080
SY	750	770	790	810	830	1050



WE-H-4



WE-H-6

COM

	A	B	C	D	E	LEATHER	
WE-H-4	Four-leg frame with casters	640	660	680	700	720	940
WE-H-6	Cantilever frame with glides and #56 armrests	700	720	740	760	780	1000

MECHANISMS

S	Swivel, tilt, seat height adjustment
H	Swivel, tilt, 0° lock, seat height adjustment
Z	Swivel, synchro tilt 2:1, 0° lock, seat height adjustment
E	Swivel, tilt, seat height and angle adjustment and backrest angle adjustment
MF	Swivel, tilt, lock, seat height and backrest angle adjustment
SS	Swivel, tilt, lock, seat height and backrest angle adjustment, seat slider
SY	Swivel, synchro tilt 2:1, 4 position lock, seat slider, seat height adjustment

GAS LIFTS

80	Gas lift 80 mm	-
100	Gas lift 100 mm	-
120	Gas lift 120 mm	-
140	Gas lift 140 mm	30
200	8" stool kit (E & S mech., L & H backrests)	160
250	10" stool kit (E & S mech., L & H backrests)	160

SEAT

R	Regular seat	Standard
L	Large seat, 21" L x 21" P	60
S	Small seat, 19" L x 19" P	60

ARMRESTS

	01	Height, width, standard pad	160
	01L	Height, width, soft pad	170
	01S	Height, width, S pad	170
	02	Height, width, contoured pad	150
	04	Height, width, contoured gel pad	210
	05	Height, width, multi-pivot, contoured gel pad	340
Adjustable	09	Height, width, pivot, contoured gel pad	280
	96	Height, width, depth, pivot, polyurethane pad	190
	96F	Height, width, depth, polyurethane pad	210
	96G	Height, width, depth, pivot, soft pad	210
	98	Height, width, depth, lockable pivot, polyurethane pad	280
	FB	Front/back slider (#01,01L,02,03,04,07,08,09)	50
	H	1 1/2" longer structure (#01,01L,02,03,04,05)	40
	11	Polypropylene, C shape	120
	12	Polypropylene, T shape	120
	27	Polyurethane, C shape	150
Fixed	30	Polyurethane and black metal, closed C shape	150
	47	Polyurethane and black metal, C shape	140
	60	Polished aluminum, C shape with polyurethane insert	200
	77	Polished aluminum, T shape with polyurethane pad	220

FRAME FINISHES (MODELS 4-6)

N	Black	Standard
SX	Black sandex	-
C	Chrome	100

Other finishes available upon request

BASES AND CASTERS

SBL	Black nylon	Standard
HBL	Black nylon, high hub	-
AL	Polished aluminium (standard with mech. B)	120
HAL	Polished aluminium, high hub	120
HW	Carpet casters	Standard
SW	Hard surface casters	15
IC	3" heavy duty casters for carpet (standard with mech. B)	50
ICSW	3" heavy duty casters for hard surfaces	65
GL	Glides instead of casters	15

BACKREST OPTIONS

WBL	Black nylon	Standard
WGR	Nylon gris	-

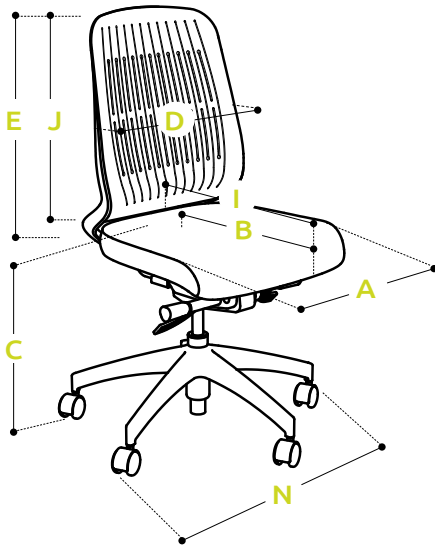
SEAT OPTION

PS	Pressure sensitive foam (Reg. & L seats)	100
----	--	-----

SEALED STITCHES

CSC	All models	150
-----	------------	-----

Wave



Measures	A	B*	C	D	E	I	J*	N	K	Weight	Volume	COM
WE-H	20	19	17 - 22	18	21 ^{1/4}	19 ^{1/2}	20 ^{1/4}	24	-	47	16	1.0
	51	48	43 - 56	46	55	50	51	60	-	21.3	1.5	0.9
WE-H-4	20	19	18	18	21 ^{1/4}	19 ^{1/2}	20 ^{1/4}	-	24	35	16	1.0
	51	48	46	46	55	50	51	-	60	15.9	1.5	0.9
WE-H-6	20	19	18	18	21 ^{1/4}	19 ^{1/2}	20 ^{1/4}	-	24	37	16	1.0
	51	48	46	46	55	50	51	-	60	16.8	1.5	0.9

*B and J are respectively the effective depth of the seat and the effective height of the backrest

Imperial system (inches - pounds - cubic feet - yards)

Metric system (centimeters - kilograms - cubic meters - meters)

Zest

Collection of 2 multi-purpose models with nesting capability. Seat made of steel tubing with moulded and cut foam and upholstered using the Suspension technique. Backrest made of steel tubing and a knit cover available in 60 colors. Seat slip covers equipped with zippers to allow for easy replacement. Many available options including a wide choice of frame finishes and a writing tablet.



Collection

Multi-purpose



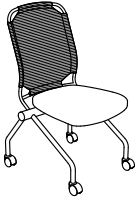
ZS-4



ZU-4

ZS-4

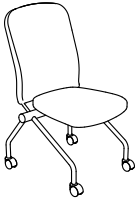
A	B	C	D	E	LEATHER
560	580	600	620	640	860



Knit backrest

ZU-4

A	B	C	D	E	LEATHER
610	630	650	670	690	910



Upholstered backrest

FRAME FINISHES

BL	Black	Standard
SX	Black sandex	-
CH	Charcoal grey	-
SG	Metallic grey	-
PA	Chrome paint (minimum of 10 chairs)	60
<i>Other finishes available upon request</i>		

CASTERS

HW	Carpet casters	15
SW	Hard surface casters	Standard
GL	Glides instead of casters	15

ARMRESTS

56	Black polyurethane - fixed	50
----	----------------------------	----

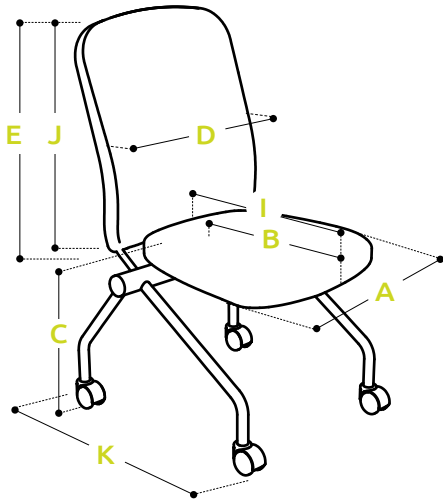
MESH

7209	Black	Standard
7209F	Black - full knit	-
7273	Medium grey	-
7273F	Medium grey - full knit	-
7299	Pale grey	-
7299F	Pale grey - full knit	-

Choice of 57 additional colors : 5 chair minimum

ACCESSORIES

53	Left side flip-up writing tablet made of birch plywood with high pressure laminate	300
54	Right side flip-up writing tablet made of birch plywood with high pressure laminate	300
BLL	Black laminate tablet	-
MAL	Maple laminate tablet	-



Measures	A	B*	C	D	E	F	I	J*	K	Weight	Volume	COM
ZS-4	18	20 ^{1/2}	19	18	20	23 ^{1/2}	18 ^{1/2}	18	23	28	14	1.0
	46	52	48	46	51	59	47	46	58	12.7	1.3	0.9
ZU-4	18	20 ^{1/2}	19	18	20	23 ^{1/2}	18 ^{1/2}	18	23	30	20	1.4
	46	52	48	46	51	59	47	46	58	13.6	1.9	1.3

*B and J are respectively the effective depth of the seat and the effective height of the backrest

Imperial system (inches - pounds - cubic feet - yards)

Metric system (centimeters - kilograms- cubic meters- meters)

Loun
waitin

**age and
ng room**

Connect

Collection combining many models offered in beam seating configuration allowing numerous waiting area layouts. Options include a connectivity module and fasteners to secure the beam legs to the floor.



Collection

Beams



1 seat



2 seats



3 seats



4 seats



5 seats



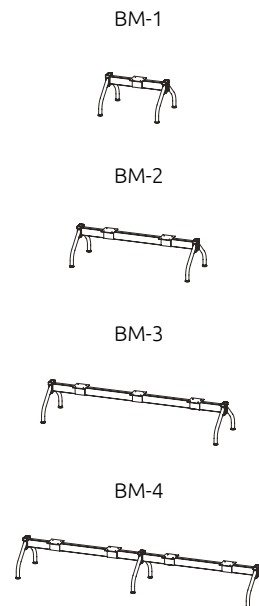
1 seat + table



3 seats + 2 tables

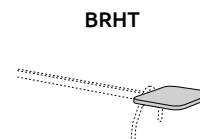
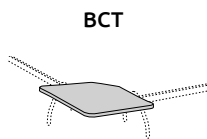
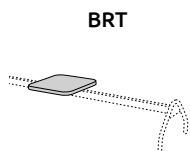
Beams

Code	Description	Price
BM-1	1 seat beam (includes 2 legs)	400
BZ-1	1 seat beam for flip up chair (BZS, BZU)	460
BM-1C	1 seat beam with 1 end or corner table (includes 2 legs)	420
BM-1CC	1 seat beam with 2 end or corner tables (includes 2 legs)	450
BM-2	2 seat beam (includes 2 legs)	450
BZ-2	2 seat beam for flip up chair (BZS, BZU)	530
BM-2C	2 seat beam with 1 end or corner table (includes 2 legs)	480
BM-2CC	2 seat beam with 2 end or corner tables (includes 2 legs)	500
BM-3	3 seat beam (includes 2 legs)	530
BZ-3	3 seat beam for flip up chair (BZS, BZU)	630
BM-3C	3 seat beam with 1 end or corner table (includes 2 legs)	560
BM-3CC	3 seat beam with 2 end or corner tables (includes 2 legs)	590
BM-4	4 seat beam (includes 3 legs)	690
BM-4C	4 seat beam with 1 end or corner table (includes 3 legs)	720
BM-4CC	4 seat beam with 2 end or corner tables (includes 3 legs)	750
BM-2HD	2 seat heavy duty beam, capacity 1000lbs	550
BM-3HD	3 seat heavy duty beam, capacity 1500lbs	720



* Bases sold separately

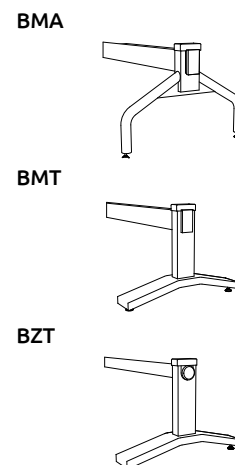
Tables



Code	Description	Price
BRT	Middle table made of 3/4" birch plywood with laminate top and clear varnish edge	430
BCT	Corner table made of 3/4" birch plywood with laminate top and clear varnish edge	620
BRHT	Cantilever end table made of 3/4" birch plywood with laminate top and clear varnish edge	430

Legs for upholstered seats

Code	Description	Price
BMA	A leg (up to 3 seat)	-
BMA4	A leg (4 seat)	-
BMT	T leg (up to 3 seat)	250
BZT	T leg for flip up chair (BZS, BZU) (up to 3 seat)	250
BMT4	T leg (4 seat)	400
BMTC1	T leg, foot with chrome finish (up to 3 seat)	330
BMTC2	T leg, foot and upright with chrome finish (up to 3 seat)	450
BMTC5	T leg, foot with chrome finish (4 seat)	500
BMTC6	T leg, foot and upright with chrome finish (4 seat)	740

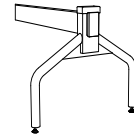


Connect

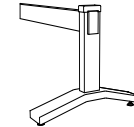
Legs for non-upholstered seats

Code	Description	Price
BSA	A leg (up to 3 seat)	-
BSA4	A leg (4 seat)	-
BST	T leg (up to 3 seat)	250
BST4	T leg (4 seat)	400
BSTC1	T leg, foot with chrome finish (up to 3 seat)	330
BSTC2	T leg, foot and upright with chrome finish (up to 3 seat)	450
BSTC5	T leg, foot with chrome finish (4 seat)	500
BSTC6	T leg, foot and upright with chrome finish (4 seat)	740

BSA



BST

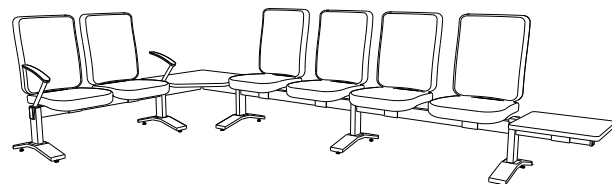


Seats and backrest

Code	Description	A	B	C	D	E
BDR-L	Low backrest Desire	480	510	540	570	600
BDR-H	High backrest Desire	520	550	580	610	640
BEV-H	Everest 5000lbs cap, HD beams only	740	780	820	860	900
BFX-L	Low backrest Flex	500	530	560	590	620
BFX-H	High backrest Flex	540	570	600	630	660
BML-H	Malla	580	600	620	640	660
BTA-L	Low backrest Tact	630	650	670	690	710
BTA-H	High backrest Tact	670	690	710	730	750
BTP-L	Low backrest Top	440	470	500	530	560
BTP-H	High backrest Top	480	510	540	570	600
BVI-L	Low backrest Viva	480	510	540	570	600
BVI-H	High backrest Viva	560	590	620	650	680
BVO-L	Low backrest Voilà	720	740	760	780	800
BVO-H	High backrest Voilà	760	780	800	820	840
BZS	Zest with mesh backrest	450	470	490	510	530
BZU	Zest with upholstered backrest	500	520	540	560	580
BAV	Arriva	370				
BCM	Camelia	380				
BCL	Clover	380				
BCO	Colori	340				
BGO	Golf	400				
BPN	Penta	320				

Codification example

Quantity	Code
1	BM-2C-BMT-SX
1	BM-4CC-BMT4-SX
6	BVI-H-#upholstery
1	B66-SX
1	BCT-BLL
1	BRHT-BLL



FINISHES (SEATS BCL, BGO, BCM)

65	Natural maple	Standard
AC	Color on request : 25 chair minimum	80
LOC	Laminated (Standard products) minimum 25 chairs	120

BEAMS AND LEGS FINISHES

SX	Black sandex	Standard
CH	Charcoal grey	-
SG	Metallic grey	-
<i>Other finishes available upon request</i>		

FIXED ARMRESTS

B27	Polyurethane, C shape	140
B30	Polyurethane and black metal, closed C shape	125
B50	Polypropylene (BPN)	23
B66	Sandex black frame, PVC armrest (BAV, BPN, BSE)	65
B66SH	Sandex black frame, PVC armrest (BCM, BCL, BGO)	100
B66ZS	Sandex black frame, PVC armrest (BZS, BZU)	100

ACCESSORIES

53	Left side writing tablet made of 3/4" birch plywood with high pressure laminate top and clear varnish edge	300
54	Right side writing tablet made of 3/4" birch plywood with high pressure laminate top and clear varnish edge	300
BLL	Black laminate tablet	-
MAL	Maple laminate tablet	-
CU011N	Black connectivity module	650
CU011W	White connectivity module	650
FAS	Ground fasteners (for 4)	30
GSS	Ganging elements (for 2)	20

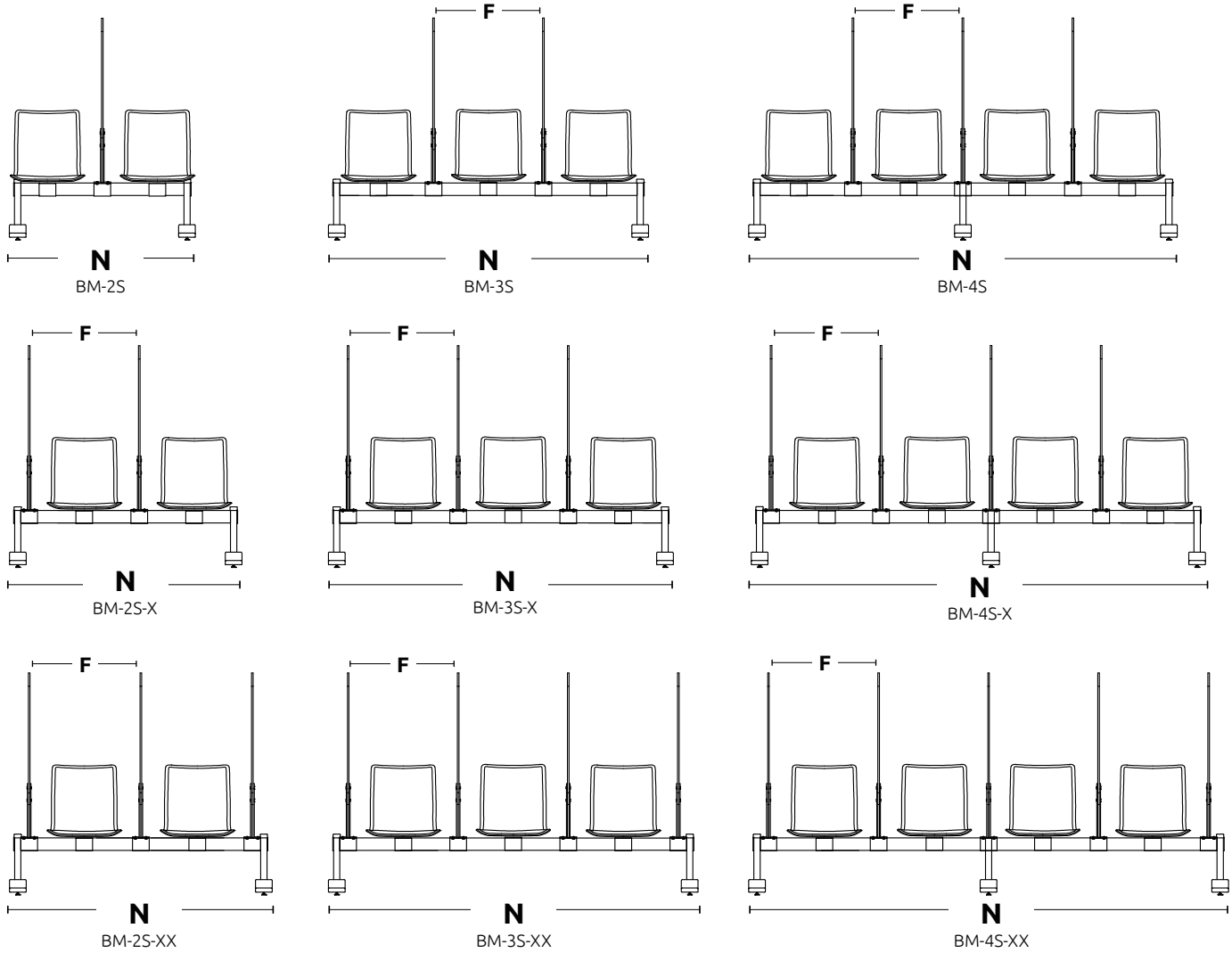
SEAT AND BACKREST

	Code	A	COM B	C	D	E	COM
Upholstered backrest (BAV, BPN)	CPB	120	140	160	180	200	0.8
Upholstered seat (BAV, BCM, BCL, BGO, BPN, BSE)	CPS	120	140	160	180	200	0.8

PANNEAUX D'INTIMITÉ SANO


PTC	3/8" thick plexiglass panel with clear finish	750
PGF	3/8" thick plexiglass panel with frosted finish	750
PTT	3/8" thick plexiglass panel with tinted finish	850


Sano panel configuration on Connect



Code	Description	F	N
BM-2S	Beam with seats and Sano only between the seats.	-	47 ^{3/4}
BM-3S	Beam with seats and Sano only between the seats.	26	74 ^{1/4}
BM-4S	Beam with seats and Sano only between the seats.	26	100 ^{1/2}
BM-2S-X	Beam with seats and Sano at one end and between the seats.	26	53 ^{1/4}
BM-3S-X	Beam with seats and Sano at one end and between the seats.	26	80 ^{1/4}
BM-4S-X	Beam with seats and Sano at one end and between the seats.	26	107
BM-2S-XX	Beam with seats and Sano at both ends and between the seats.	26	60 ^{1/2}
BM-3S-XX	Beam with seats and Sano at both ends and between the seats.	26	87
BM-4S-XX	Beam with seats and Sano at both ends and between the seats.	26	113 ^{1/4}

Measures	A	B	C	Weight	Volume
BM-1/BZ-1	21 ^{1/8}	20 ^{1/2}	18	25	4.2
	54	52	46	11.3	0.4
BM-1C	37 ^{5/8}	20 ^{1/2}	18	27	7.2
	96	52	46	12.2	0.7
BM-1CC		20 ^{1/2}	18	29	8.3
		52	46	13.2	0.8
BM-2/BZ-2	54 ^{1/4}	20 ^{1/2}	18	30	8.5
	138	52	46	13.6	0.8
BM-2C	61 ^{1/8}	20 ^{1/2}	18	32	11.7
	155	52	46	14.5	1
BM-2CC	77 ^{5/8}	20 ^{1/2}	18	34	14.7
	197	52	46	15.4	1.3
BM-3/BZ-3	68 ^{1/8}	20 ^{1/2}	18	35	13.0
	173	52	46	15.9	1.2
BM-3C	84 ^{5/8}	20 ^{1/2}	18	37	16.0
	215	52	46	16.8	1.5
BM-3CC	101 ^{1/8}	20 ^{1/2}	18	39	19.2
	257	52	46	17.7	1.8
BM-4	91 ^{5/8}	20 ^{1/2}	18	45	17.3
	233	52	46	20.4	1.6
BM-4C	108 ^{1/8}	20 ^{1/2}	18	47	20.5
	275	52	46	21.3	1.9
BM-4CC	124 ^{5/8}	20 ^{1/2}	18	49	23.5
	317	52	46	22.2	2.1
BM-2HD	45	20 ^{1/2}	18	37	8.5
	114	52	46	16.8	0.8
BM-3HD	69	20 ^{1/2}	18	40	16.0
	175	52	46	18.1	1.5
BRT	19	20 ^{1/2}	18	4	0.3
	48	52	46	1.8	0.05
BCT	30	20 ^{1/2}	18	8	0.6
	76	52	46	3.6	0.05

 Imperial system (inches - pounds - cubic feet - yards)

 Metric system (centimeters - kilograms - cubic meters - meters)

Sano

In order to ensure the protection and safety of all in public spaces, ADI designs various solutions for plexiglass divisions. Suitable for several uses such as Connect and Zest row waiting room system as well as the self standing module.



Collection



SN53



SN54



SN64



SN67



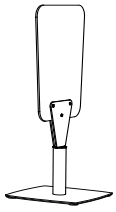
SN74



SN80

SN53

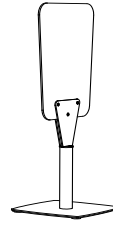
SN53 950



3/8" thick plexiglass panel with
metallic rounded sides square
base with 3" diameter metal
tube

SN57

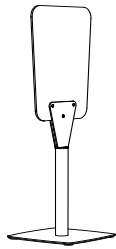
SN57 960



3/8" thick plexiglass panel with
metallic rounded sides square
base with 3" diameter metal
tube

SN64

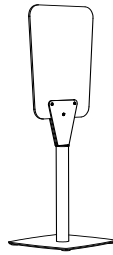
SN64 970



3/8" thick plexiglass panel with
metallic rounded sides square
base with 3" diameter metal
tube

SN67

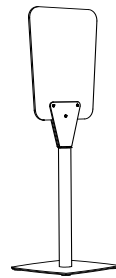
SN67 980



3/8" thick plexiglass panel with
metallic rounded sides square
base with 3" diameter metal
tube

SN74

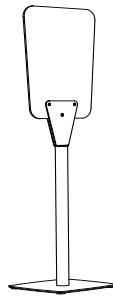
SN74 990



3/8" thick plexiglass panel with
metallic rounded sides square
base with 3" diameter metal
tube

SN80

SN80 1000



3/8" thick plexiglass panel with
metallic rounded sides square
base with 3" diameter metal
tube

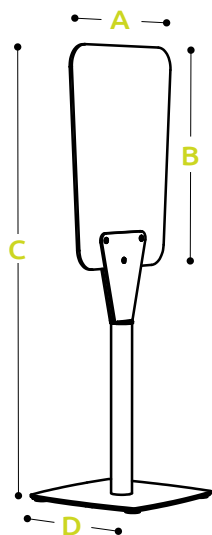
FRAME FINISHES

SX	Black sandex	Standard
CH	Charcoal grey	-
SG	Metallic grey	-
WH	White	-

Other finishes available upon request

PLEXIGLASS FINISHES

PTC	Clear finish	Standard
PGF	Frosted finish	-
PTT	Tinted finish	100



Measures	A	B*	C	D	Weight
SN53	23 ^{1/2}	31 ^{1/2}	53	20	64
	59	80	135	51	29
SN57	23 ^{1/2}	31 ^{1/2}	57	20	67
	59	80	145	51	30.4
SN57	23 ^{1/2}	31 ^{1/2}	64	20	70
	59	80	163	51	31.8
SN64	23 ^{1/2}	31 ^{1/2}	67	20	71
	59	80	170	51	32.2
SN67	23 ^{1/2}	31 ^{1/2}	74	20	73
	59	80	188	51	33.1
SN80	23 ^{1/2}	31 ^{1/2}	80	20	75
	59	80	203	51	34

*B and J are respectively the effective depth of the seat and the effective height of the backrest

■ Imperial system (inches - pounds - cubic feet - yards)

□ Metric system (centimeters - kilograms- cubic meters- meters)

Mars 1.0

Collection of 21 lounge and waiting room models. Seat and backrest made of plywood with high density foam and upholstered using the Suspension technique. Square tubular frame offered in regular or light profile. Many available options including a connectivity module and writing tablets.



Collection



MR1R



MR2R



MR3R



MR1S



MR2S



MR3S



MRB1R



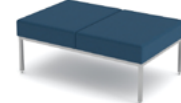
MRB2R



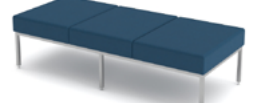
MRB3R



MRB1S



MRB2S



MRB3S



MRC1R



MRC2R



MRC3R



MRC1S



MRC2S



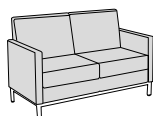
MRC3S

Armchairs

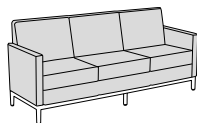
MR1R



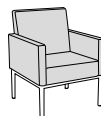
MR2R



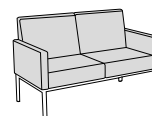
MR3R



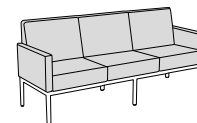
MR1S



MR2S



MR3S



Code	Description	A	B	C	D	E	Leather
MR1R	1 seat regular profile armchair	1600	1660	1720	1780	1840	2800
MR2R	2 seat regular profile armchair	2300	2390	2480	2570	2660	4100
MR3R	3 seat regular profile armchair	3000	3120	3240	3360	3480	5400
MR1S	1 seat light profile armchair	1450	1510	1570	1630	1690	2650
MR2S	2 seat light profile armchair	2150	2240	2330	2420	2510	3950
MR3S	3 seat light profile armchair	2850	2970	3090	3210	3330	5250

Armchairs without armrests

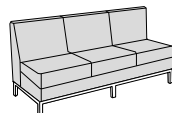
MRC1R



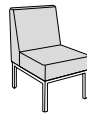
MRC2R



MRC3R



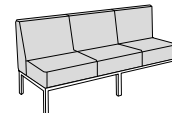
MRC1S



MRC2S



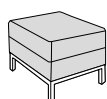
MRC3S



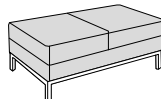
Code	Description	A	B	C	D	E	Leather
MRC1R	1 seat regular profile armchair without armrests	1300	1360	1420	1480	1540	2500
MRC2R	2 seat regular profile armchair without armrests	2000	2090	2180	2270	2360	3800
MRC3R	3 seat regular profile armchair without armrests	2700	2820	2940	3060	3180	5100
MRC1S	1 seat light profile armchair without armrests	1150	1210	1270	1330	1390	2350
MRC2S	2 seat light profile armchair without armrests	1850	1940	2030	2120	2210	3650
MRC3S	3 seat light profile armchair without armrests	2550	2670	2790	2910	3030	4950

Benches

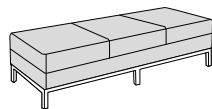
MRB1R



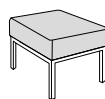
MRB2R



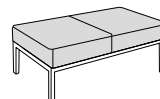
MRB3R



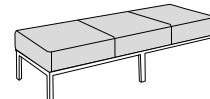
MRB1S



MRB2S



MRB3S



Code	Description	A	B	C	D	E	Leather
MRB1R	1 seat regular profile bench	1050	1110	1170	1230	1290	2250
MRB2R	2 seat regular profile bench	1500	1590	1680	1770	1860	3300
MRB3R	3 seat regular profile bench	1950	2070	2190	2310	2430	4350
MRB1S	1 seat light profile bench	900	960	1020	1080	1140	2100
MRB2S	2 seat light profile bench	1350	1440	1530	1620	1710	3150
MRB3S	3 seat light profile bench	1800	1920	2040	2160	2280	4200

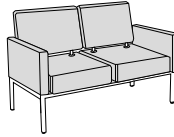
Mars 1.0

Armchairs with gaps between seat, backrest and armrests

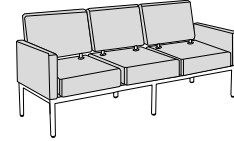
MH1



MH2



MH3



Code	Description	A	B	C	D	E
MH1	1 seat armchair	1800	1860	1920	1980	2040
MH2	2 seat armchair	2900	2990	3080	3170	3260
MH3	3 seat armchair	4000	4120	4240	4360	4480

STRUCTURE, LEGS AND CASTERS (REGULAR PROFILE)

ST	Metal frame with tubular legs	Standard
LR3	Cylindric steel legs with flat foot	-
LS3	Square legs	-

FRAME FINISHES AND LEGS

C	Chrome legs for 1 and 2 seat armchairs	350
C	Chrome legs for 3 seat armchairs	500
BL	Black	Standard
SX	Black sandex	-
CH	Charcoal grey	-
SG	Metallic grey	-
PA	Chrome paint (minimum of 10 armchairs)	60
	Other finishes available upon request	

UPHOLSTERY

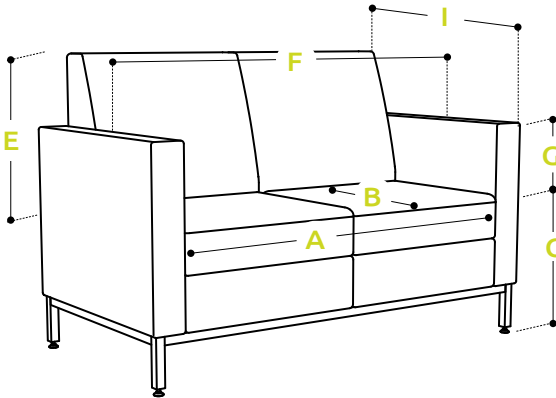
AD	Seat and backrest upholstered with different colors	70
----	---	----

ACCESSORIES

53	Left side writing tablet made of ¾" birch plywood with high pressure laminate top and clear varnish edge	300
54	Right side writing tablet made of ¾" birch plywood with high pressure laminate top and clear varnish edge	300
BLL	Black laminate tablet	-
MAL	Maple laminate tablet	-
CC120N	Metallic grey connectivity module (regular profile)	650
FAS	Ground fasteners (for 4)	30
GSS	Ganging elements (for 2)	20

SEALED STITCHES

CSC	1 seat armchair	300
CSC	2 seat armchair	400
CSC	3 seat armchair	500



Measures	A	B*	C	E	F	G	H	I	Weight	Volume	COM
MR1R	22	19	17 ^{1/2}	17	29	7 ^{1/2}	34	27	60	20	4.5
	56	50	46	43	75	19	88	69	27.2	0.6	4.1
MR2R	44	19	17 ^{1/2}	17	51 ^{1/2}	7 ^{1/2}	34	27	104	34	7.0
	112	50	46	43	131	19	88	69	47.2	0.9	5.5
MR3R	66	19	17 ^{1/2}	17	74 ^{1/2}	7 ^{1/2}	34	27	148	48	9.0
	168	50	46	43	189	19	88	69	67.1	1.3	7.5
MR1S	22	19	17 ^{1/2}	17	29	8 ^{1/2}	34	27	53	20	3.5
	56	50	46	43	75	22	88	69	24	0.6	
MR2S	44	19	17 ^{1/2}	17	51 ^{1/2}	8 ^{1/2}	34	27	91	34	5.5
	112	50	46	43	131	22	88	69	41.2	0.9	
MR3S	66	19	17 ^{1/2}	17	74 ^{1/2}	8 ^{1/2}	34	27	129	48	7.5
	168	50	46	43	189	22	88	69	58.5	1.3	
MRC1R	22	19	17 ^{1/2}	17	22	-	34	27	44	15	3.0
	56	50	46	43	56	-	88	69	20	0.4	
MRC2R	44	19	17 ^{1/2}	17	44	-	34	27	88	30	5.0
	112	50	46	43	112	-	88	69	40	0.8	
MRC3R	66	19	17 ^{1/2}	17	66	-	34	27	132	44	7.5
	168	50	46	43	168	-	88	69	59.8	1.2	
MRC1S	22	19	17 ^{1/2}	17	22	-	34	27	38	15	2.5
	56	50	46	43	56	-	88	69	17.2	0.4	
MRC2S	44	19	17 ^{1/2}	17	44	-	34	27	76	30	3.0
	112	50	46	43	112	-	88	69	34.4	0.8	
MRC3S	66	19	17 ^{1/2}	17	66	-	34	27	114	44	6.0
	168	50	46	43	168	-	88	69	51.7	1.2	
MRB1R	22	27	17 ^{1/2}	-	22	-	17 ^{1/2}	27	20	8	2.0
	56	69	46	-	56	-	46	69	9	0.2	
MRB2R	44	27	17 ^{1/2}	-	44	-	17 ^{1/2}	27	40	16	3.0
	112	69	46	-	112	-	46	69	18.1	0.4	
MRB3R	66	27	17 ^{1/2}	-	66	-	17 ^{1/2}	27	60	23	4.0
	168	69	46	-	168	-	46	69	27.2	0.7	
MRB1S	22	27	17 ^{1/2}	-	22	-	17 ^{1/2}	27	15	8	1.5
	56	69	46	-	56	-	46	69	6.8	0.2	
MRB2S	44	27	17 ^{1/2}	-	44	-	17 ^{1/2}	27	30	16	2.0
	112	69	46	-	112	-	46	69	13.6	0.4	
MRB3S	66	27	17 ^{1/2}	-	66	-	17 ^{1/2}	27	45	23	3.0
	168	69	46	-	168	-	46	69	20.4	0.7	
MH1	22 ^{1/2}	19 ^{1/2}	17 ^{1/2}	15	32	8 ^{1/2}	35	27	53	21	3.5
	57	50	46	38	81	22	89	69	24	0.6	
MH2	46	19 ^{1/2}	17 ^{1/2}	15	56	8 ^{1/2}	35	27	91	37	5.5
	117	50	46	38	142	22	89	69	41.2	1	
MH3	69 ^{1/2}	19 ^{1/2}	17 ^{1/2}	15	79	8 ^{1/2}	35	27	129	51	7.5
	177	50	46	38	200	22	89	69	58.5	1.4	

Imperial system (inches - pounds - cubic feet - yards)

Metric system (centimeters - kilograms - cubic meters - meters)

Mars 2.0

Mars 2.0 is the ideal product for collaborative spaces, informal meetings or elegant waiting areas. Optional privacy panels provide visual and acoustic insulation. The system has a wide variety of configuration options that will create high performance and attractive spaces.



Collection



MRUA+MRA



MRUC+MRC



MRU1+MRB



MRU1+MRD+MAM



MRU1+MRD+MPA+MPL



MRU2+MRD+MAM



MRU2+MRD+MPA+MPL



MRU3+MRB



MRU3+MRD+MAM



MRU3+MRD+MPA+MPL

Tables



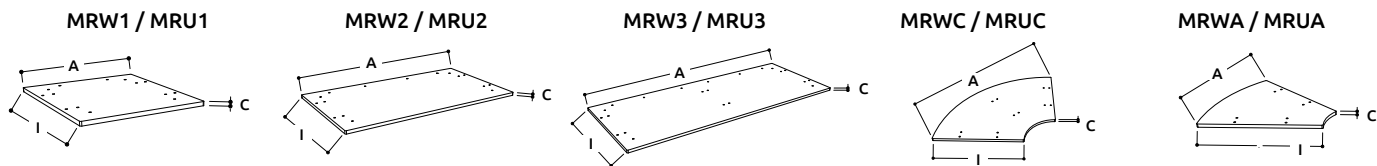
MTM



TC19



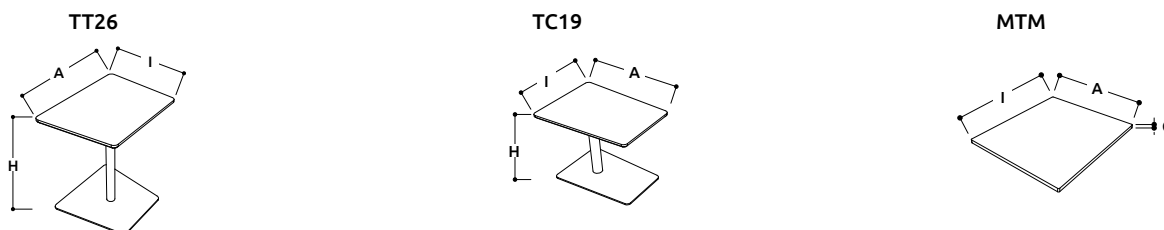
TT26



Code	Description	A	B	C	D	E
MRW1	1 seat birch plywood frame with clear varnish edge	320				
MRU1	1 seat birch plywood frame with upholstered edge	320	340	360	380	400
MRW2	2 seat birch plywood frame with clear varnish edge	500				
MRU2	2 seat birch plywood frame with upholstered edge	540	570	600	630	660
MRW3	3 seat birch plywood frame with clear varnish edge	990				
MRU3	3 seat birch plywood frame with upholstered edge	1080	1130	1180	1230	1280
MRWC	90° corner bench birch plywood frame with clear varnish edge	500				
MRUC	90° corner bench birch plywood frame with upholstered edge	540	570	600	630	660
MRWA	45° angle bench birch plywood frame with clear varnish edge	320				
MRUA	45° angle bench birch plywood frame with upholstered edge	320	340	360	380	400



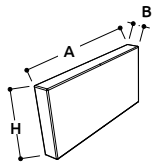
Code	Description	A	B	C	D	E
MRB	Bench	420	450	480	510	540
MRD	Seat with backrest	700	750	800	850	900
MRC	90° corner bench	750	800	850	900	950
MRA	45° angle bench	650	680	710	740	770



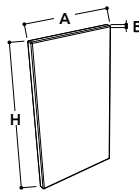
Code	Description	Price
TT26	Working table made of 3/4" birch plywood with high pressure laminate top and clear varnish edge.	800
TC19	Coffee table made of 3/4" birch plywood with high pressure laminate top and clear varnish edge.	780
MTM	Modular table made of 3/4" birch plywood with high pressure laminate top and clear varnish edge.	500

Mars 2.0

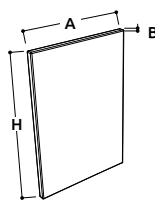
MAM



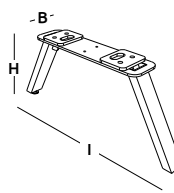
MPA



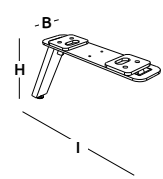
MPL



MLM



MLC



Code	Description	A	B	C	D	E
MAM	Modular armrest	260	280	300	320	340
MPA	Modular back panel	350	380	410	440	470
MPL	Modular side panel (With MPA only)	400	450	500	550	600
MLM	Modular leg	200				
MLC	Modular leg for 90° corner frames	150				

LEGS AND TABLE BASES FINISHES

SX	Black sandex	Standard
CH	Charcoal grey	-
SG	Metallic grey	-
IP	Industrial	90

Other finishes available upon request

TABLETOP FINISHES

BLL	Black laminate tablet	-
MAL	Maple laminate tablet	-

ACCESSORIES

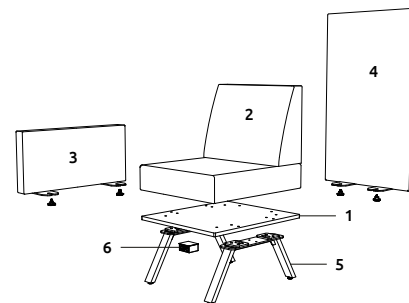
CU120N	Black connectivity module (regular profile)	650
--------	---	-----

UPHOLSTERY

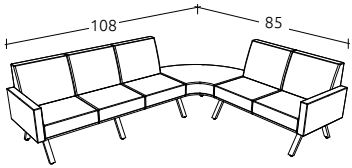
AD	Seat and backrest upholstered with different colors	70
----	---	----

* Grade A prices

Construction example	No	Code
1 seat frame	1	MRW1
Seat with backrest	2	MRD
Modular armrest	3	MAM
Modular back panel	4	MPA
Modular leg	5	MLM
Connectivity module	6	CU120N

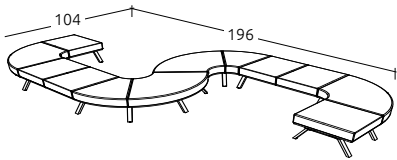


Configuration example (Grade A)



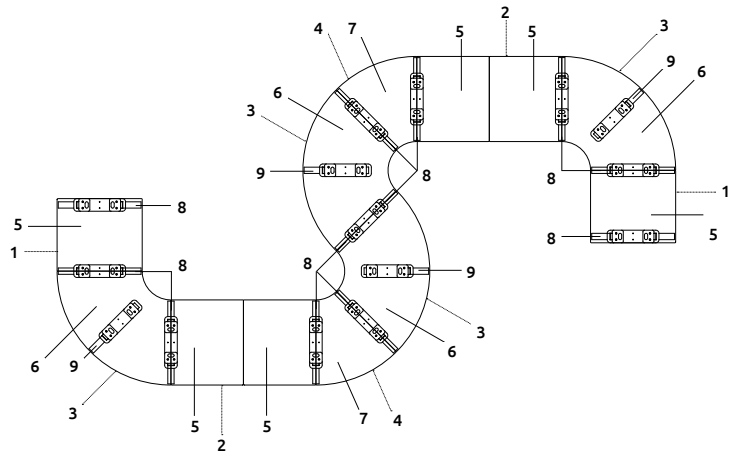
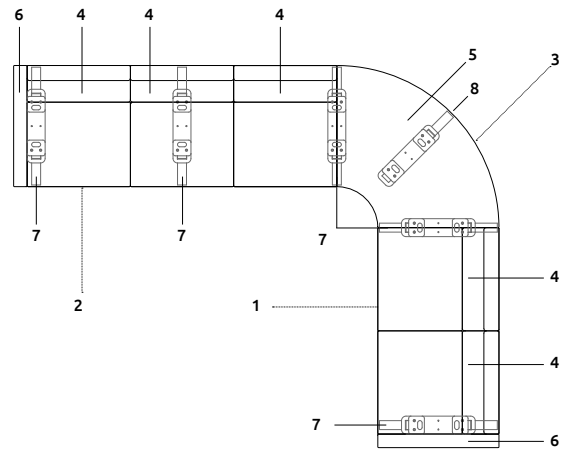
No	Code	Description	Quantity	Price	Total
1	MRU2	2 seat frame	1	540	540
2	MRU3	3 seat frame	1	1080	1080
3	MRUC	90° corner frame	1	540	540
4	MRD	Seat with backrest	5	700	3500
5	MRC	90° corner bench	1	750	750
6	MAM	Modular armrest	2	260	520
7	MLM	Modular leg	5	200	1000
8	MLC	leg for 90° corner frames	1	150	150

8080

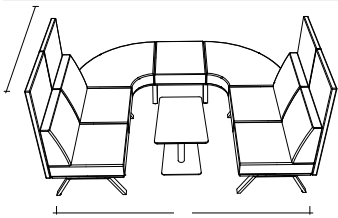


No	Code	Description	Quantity	Price	Total
1	MRW1	1 seat frame	2	320	640
2	MRW2	2 seat frame	2	500	1000
3	MRWC	90° corner frame	4	500	2000
4	MRWA	45° angle bench	2	320	640
5	MRB	Bench	6	420	2520
6	MRC	90° corner bench	4	750	3000
7	MRA	45° angle bench	2	650	1300
8	MLM	Modular leg	11	200	2200
9	MLC	leg for 90° corner frames	4	150	600

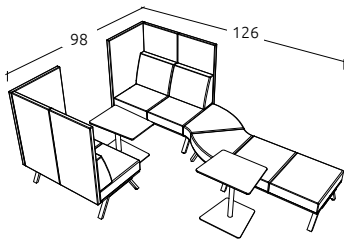
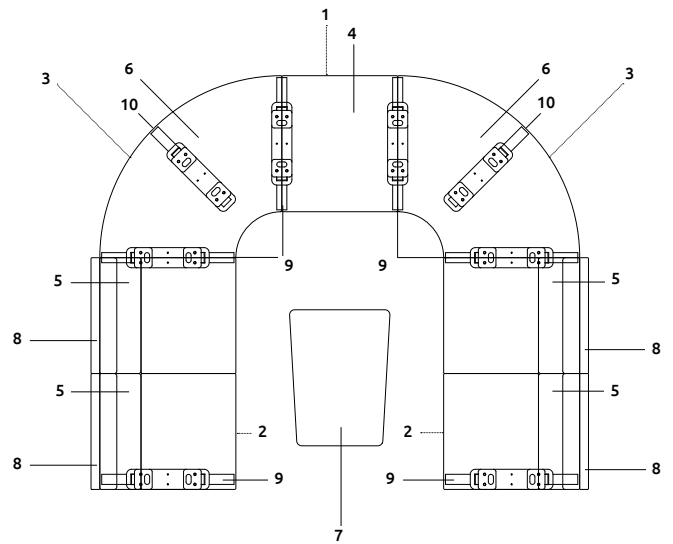
13900



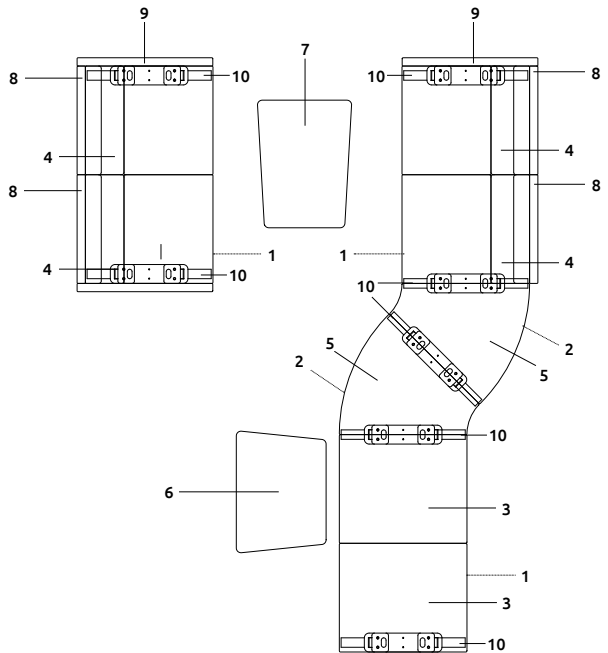
Mars 2.0




No	Code	Description	Quantity	Price	Total
1	MRW1	1 seat frame	1	320	320
2	MRW2	2 seat frame	2	500	1000
3	MRWC	90° corner frame	2	500	1000
4	MRB	Bench	1	420	420
5	MRD	Seat with backrest	4	700	2800
6	MRC	90° corner bench	2	750	1500
7	TC19	Coffee table	1	780	780
8	MPA	Modular back panel	4	350	1400
9	MLM	Modular leg	6	200	1200
10	MLC	leg for 90° corner frames	2	150	300
					10720

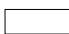


No	Code	Description	Quantity	Price	Total
1	MRW2	2 seat frame	3	500	1500
2	MRWA	45° angle bench	2	320	640
3	MRB	Bench	2	420	840
4	MRD	Seat with backrest	4	700	2800
5	MRA	45° angle bench	2	650	1300
6	TT26	working table	1	800	800
7	TC19	Coffee table	1	780	780
8	MPA	Modular back panel	4	350	1400
9	MPL	Modular side panel	2	400	800
10	MLM	Modular leg	7	200	1400
					12260



Measures	A	B*	C	E	H	I	Weight	Volume	COM
MRW1/MRU1	23	-	3/4	-	-	26 ^{1/4}	10	-	1.0
	58	-	2	-	-	67	4.5	-	0.9
MRW2/MRU2	46	-	3/4	-	-	26 ^{1/4}	20	-	1.5
	142	-	2	-	-	67	9	-	1.4
MRW3/MRU3	69	-	3/4	-	-	26 ^{1/4}	30	-	2.2
	175	-	2	-	-	67	13.6	-	2.0
MRWC/MRUC	50 ^{1/4}	-	3/4	-	-	26 ^{1/4}	18	-	2.0
	128	-	2	-	-	67	8.2	-	1.8
MRWA/MRUA	27 ^{1/4}	-	3/4	-	-	26 ^{1/4}	9	-	1.0
	69	-	2	-	-	67	4	-	0.9
MRB	23	27	6	17	-	-	12	3	1.8
	58	38	15	43	-	-	5.4	0.08	1.6
MRD	23	19 ^{1/2}	6	16 ^{1/2}	22 ^{1/4}	-	26	9	2.8
	8	50	15	42	-	-	11.7	0.6	2.6
MRC	51	-	6	-	-	-	24	5	2.0
	129	-	15	-	-	-	10.8	0.1	1.8
MRA	27 ^{1/2}	-	6	-	-	-	13	3	1.5
	70	-	15	-	-	-	5.9	0.08	1.4
TT26	-	-	1	-	-	-	57	8	-
	-	-	2.5	-	-	-	25.8	0.2	-
TC19	27	-	1	-	19 ^{1/2}	17 - 20	55	7	-
	68	-	2.5	-	50	43 - 51	25	0.2	-
MTM	23	-	1	-	-	-	10	1	-
	58	-	2.5	-	-	-	4.5	0.02	-
MAM	27	3	-	-	13 ^{1/2}	-	12	1	1.2
	68	7.6	-	-	34	-	5.4	0.02	1.1
MPA	23	1 ^{3/4}	-	-	40	-	18	2	2.0
	58	4.4	-	-	102	-	8.2	0.05	1.8
MPL	29	1 ^{3/4}	-	-	40	-	20	2	2.3
	74	4.4	-	-	102	-	9	0.05	2.0
MLM	-	2	-	-	11 ^{1/2}	26 ^{1/2}	11	1	-
	-	5	-	-	29	68	5	0.02	-
MLC	-	2	-	-	11 ^{1/2}	-	8	1	-
	-	5	-	-	29	-	3.6	0.02	-

 Imperial system (inches - pounds - cubic feet - yards)

 Metric system (centimeters - kilograms- cubic meters- meters)

Maya

Collection of 3 lounge and waiting room models. Seat and backrest made of plywood with high density foam and upholstered using the Suspension technique. Many leg types and finishes available.



Collection



MY1

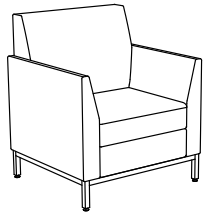


MY2



MY3

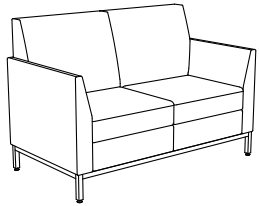
MY1



1 seat armchair

	A	^{COM} B	C	D	E	LEATHER
	1700	1760	1820	1880	1940	2900

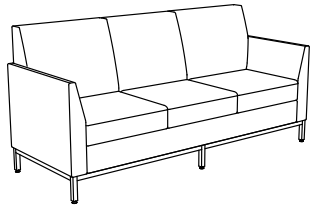
MY2



2 seat armchair

	A	^{COM} B	C	D	E	LEATHER
	2400	2490	2580	2670	2760	4200

MY3



3 seat armchair

	A	^{COM} B	C	D	E	LEATHER
	3100	3220	3340	3460	3580	5500

LEGS

LR3	Cylindric steel legs with flat foot	Standard
LS3	Square legs	-

FRAME FINISHES

C	Chrome legs for 1 and 2 seat armchairs	300
C	Chrome legs for 3 seat armchairs	500
BL	Black	Standard
SX	Black sandex	-
CH	Charcoal grey	-
SG	Metallic grey	-
PA	Chrome paint (minimum of 10 armchairs)	60

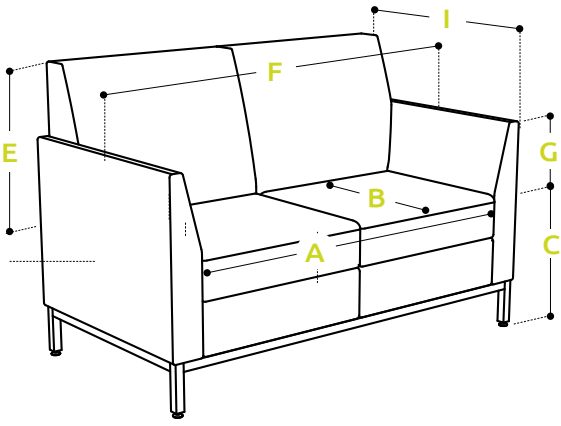
Other finishes available upon request

UPHOLSTERY

AD	Seat and backrest upholstered with different colors	70
----	---	----

ACCESSORIES

CC120N	Metallic grey connectivity module	650
FAS	Ground fasteners (for 4)	30
GSS	Ganging elements (for 2)	20



Measures	A	B*	C	E	F	G	H	I	Weight	Volume	COM
MY1	22	19 ^{1/2}	18	17	29 ^{1/2}	7 ^{1/2}	34 ^{1/2}	27	60	20	4.5
	56	50	46	43	75	19	88	69	27.2	1.9	4.1
MY2	44	19 ^{1/2}	18	17	51 ^{1/2}	7 ^{1/2}	34 ^{1/2}	27	104	35	7.0
	112	50	46	43	131	19	88	69	47.2	3.2	5.5
MY3	66	19 ^{1/2}	18	17	73 ^{3/4}	7 ^{1/2}	34 ^{1/2}	27	148	9	9.0
	168	50	46	43	188	19	88	69	67.1	0.8	7.5

Imperial system (inches - pounds - cubic feet - yards)

Metric system (centimeters - kilograms- cubic meters- meters)

Venus

Collection of 6 lounge and waiting room models. Seat and backrest made of plywood with high density foam and upholstered using the Suspension technique. Square tubular frame offered in regular or light profile. Optional writing tablets.



Collection



VU1R



VU2R



VU3R



VU1S

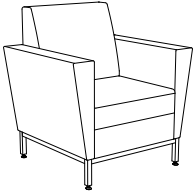


VU2S



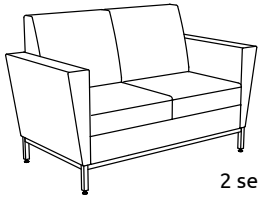
VU3S

VU1R	A	COM B	C	D	E	LEATHER
	1600	1660	1720	1780	1840	2800



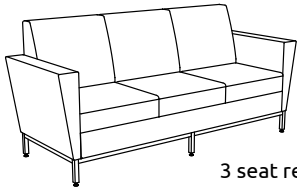
1 seat regular profile armchair

VU2R	A	COM B	C	D	E	LEATHER
	2300	2390	2480	2570	2660	4100



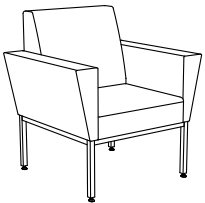
2 seat regular profile armchair

VU3R	A	COM B	C	D	E	LEATHER
	3000	3120	3240	3360	3480	5400



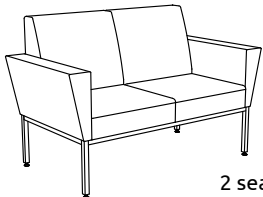
3 seat regular profile armchair

VU1S	A	COM B	C	D	E	LEATHER
	1450	1510	1570	1630	1690	2650



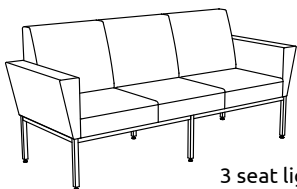
1 seat light profile armchair

VU2S	A	COM B	C	D	E	LEATHER
	2150	2240	2330	2420	2510	3950



2 seat light profile armchair

VU3S	A	COM B	C	D	E	LEATHER
	2850	2970	3090	3210	3330	5250



3 seat light profile armchair

Venus

LEGS (VU1R, VU2R, VU3R)

ST	Metal frame with tubular legs	Standard
LR3	Cylindric steel legs with flat foot	-
LS3	Square legs	-

FRAME FINISHES

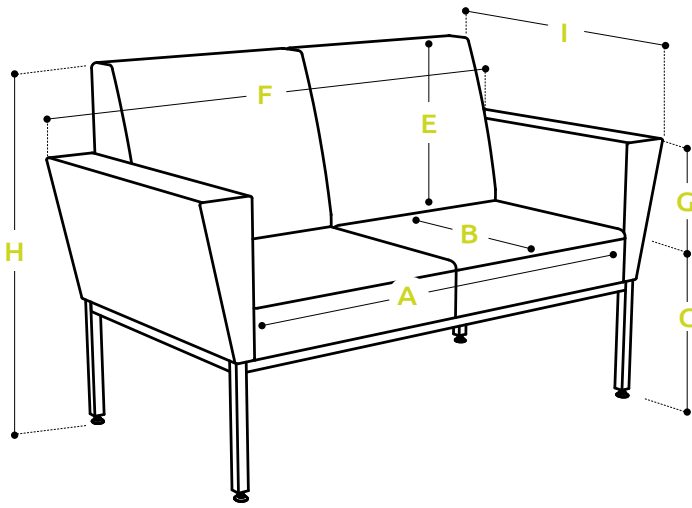
C	Chrome finish legs for 1 and 2 seat armchairs	350
C	Chrome finish legs for 3 seat armchairs	500
BL	Black	-
SX	Black sandex	-
CH	Charcoal grey	-
SG	Metallic grey	-
PA	Chrome paint (minimum of 10 armchairs)	60
	Other finishes available upon request	

ACCESSORIES

53	Left side writing tablet made of ¾" birch plywood with high pressure laminate top and clear varnish edge.	300
54	Right side writing tablet made of ¾" birch plywood with high pressure laminate top and clear varnish edge.	300
BLL	Black laminate tablet	-
MAL	Maple laminate tablet	-
CC120N	Metallic grey connectivity module (regular profile)	650
FAS	Ground fasteners (for 4)	30
GSS	Ganging elements (for 2)	20

UPHOLSTERY

AD	Seat and backrest upholstered with different colors	70
----	---	----



Measures	A	B*	C	E	F	G	H	I	Weight	Volume	COM
VU1R	22	19	18	17	31 ^{1/4}	7 ^{1/2}	34 ^{1/2}	27	60	21	4.5
	56	48	46	43	80	19	88	69	27.2	2	4.1
VU2R	44	19	18	17	53 ^{1/4}	7 ^{1/2}	34 ^{1/2}	27	104	36	7.0
	112	48	46	43	135	19	88	69	47.2	3.3	6.5
VU3R	66	19	18	17	75 ^{1/2}	7 ^{1/2}	34 ^{1/2}	27	148	50	9.0
	168	48	46	43	192	19	88	69	67.1	4.6	7.5
VU1S	22	19	18	17	31 ^{1/4}	8 ^{1/2}	34 ^{1/2}	27	53	21	3.5
	56	48	46	43	80	22	88	69	24	2	3
VU2S	44	19	18	17	53 ^{1/4}	8 ^{1/2}	34 ^{1/2}	27	91	36	5.5
	112	48	46	43	135	22	88	69	42.2	3.3	5
VU3S	66	19	18	17	75 ^{1/2}	8 ^{1/2}	34 ^{1/2}	27	129	45	7.5
	168	48	46	43	192	22	88	69	58.5	4.2	7

Imperial system (inches - pounds - cubic feet - yards)

Metric system (centimeters - kilograms- cubic meters- meters)

Tables

Collection of 3 lounge and waiting room models. Square tubular frame and laminate tops available in many finishes.



Collection



TM242418 - C2418



TM262618 - C2618



TM203616 - C3616

TM242418-C2418

480

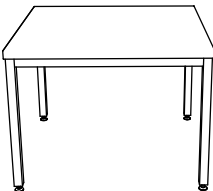


Table 24" x 24" x 18" with 1"
Square tube legs

TM262618-C2618

530

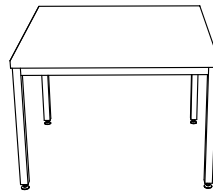


Table 26" x 26" x 18" with 1"
Square tube legs

TM203619-C3616

580

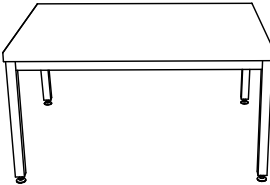


Table 36" x 20" x 16" with 1"
Square tube legs

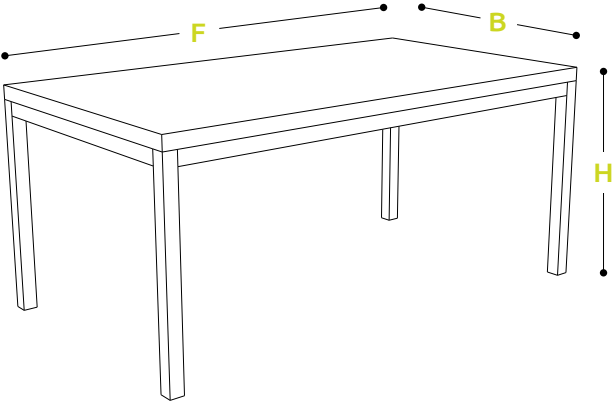
Tables

FRAME FINISHES

C	Chrome	100
BL	Black	Standard
SX	Black sandex	-
CH	Charcoal grey	-
SG	Metallic grey	-
PA	Chrome paint (minimum of 10 tables)	70
<i>Other finishes available upon request</i>		

TABLETOP SURFACES

Tabletop 1" Thermally fused laminate panels top and PVC edge		
631	Black	Standard
123	Charcoal	-
555	White	-
H58	Storm	-
H59	Twilight	-
K02	Sesame	-
H72	Ginger	-
H57	Haze	-
H56	Chill	-
204	Bourbon Cherry	-
205	Tobacco Cherry	-
992	Hardrock Maple	-
<i>Other finishes available upon request</i>		



Measures	A	B	C	E	F	G	H	I	Weight	Volume
TM242418 - C2418		24			24		18		25	8
TM262618 - C2618		60			60		46		11.3	0.7
TM203616 - C3616		20			26		16		30	9
		51			66		40		13.6	0.8

Imperial system (inches - pounds - cubic feet - yards)

Metric system (centimeters - kilograms- cubic meters- meters)

A.D.I.



A.D.I. Art Design International inc.
3450, 1ère Rue
St-Hubert (QC), Canada,
J3Y 8Y5