

LIST PRICING AND SPECIFICATION GUIDE

CANADA Pricing



Building Your Product Code Using This Price Guide



W 1 6 W M 14 CF 57 - - - -

Monofilament Stripe Mesh in Platinum chosen from page 46

Corde 4 Textile in Navy chosen from page 44

COMPONENT	CODE	BASE MODEL PRICE	\$1,220
LINE	W	Diffrient World Chair	-
STYLE	1	Conference/Task Chair	-
ARMRESTS	0	Armless	-
	6	Fixed Duron Arms	\$123
	7	Fixed Duron Arms with Matching Textile - Available with textile covered seat only	\$161
	1	Height Adjustable Duron Arms	\$262
	2	Height Adjustable Duron Arms with Matching Textile - Available with textile covered seat only	\$302
FRAME COLOR	B	Black	-
	W	White	\$31
	V	Gray	-
BACKREST MESH STYLE		See page 43 and textile Samples for mesh color options and codes	
BACKREST MESH COLOR		See page 43 and textile Samples for mesh color options and codes	
SEAT MESH/ TEXTILE STYLE		Mesh (A,N,J)	-
		Textile Grade 1 (FT,K,CF)	\$110
		Textile Grade 2 (F)	\$173
SEAT MESH/ TEXTILE COLOR		See pages 41-43 and textile samples for mesh color options and codes	
CYLINDER		Standard 5"	-
	A	3" Return to Height Cylinder	\$66
	E	5" Return to Height Cylinder	\$66
	L	Low 3.75"	\$40
	W	High 8" Cylinder w/ 20" Foot Ring	\$194
	Y	Extra-high 10" Cylinder w/ 20" Foot Ring	\$194
CASTERS/GLIDES	-	Standard Hard Casters	-
	S	Soft Casters	\$26
	G	Glides	\$33
FIREPROOFING	-	Standard Plastics and Foams	-
	C	CAL133 Label Applied to Underside of Chair	-
BASE	-	Standard	-
	A	Polished Aluminum Base	\$215
SHIPPING	-	Individually Boxed	-
	B	Blanket Wrapped - See Terms and Conditions for minimum order requirements	-

Total: **\$1,484**

Humanscale®

CANADIAN QUICK SHIP GUIDE

🇨🇦 Pricing Effective September 2022



**function
simplicity
longevity**

QUICK SHIP PROGRAM





Humanscale offers a Quick Ship program across our key product categories to provide you and your customers faster lead times on specific model configurations. Please refer to the product page headers in the guide for the lead times available for each category. Aforementioned lead time is honored once order has been confirmed.

Quick Ship lead times are as stated for each product category once the order has been booked. Please allow for 24-48 hour order processing time prior to being booked, as well as delivery transit time from factory. Always refer to your order acknowledgment for the estimated ship date assigned to each order. Please contact your local Humanscale representative for project pricing and demos.



With an innovative recline mechanism that provides constant support and a pivoting backrest that automatically adjusts to the needs of the spine, the Freedom chair delivers exceptional comfort and promotes movement throughout the day. Its refined and sculpted cushions were designed to mimic the body’s natural contours and decrease pressure point loads for premium comfort. Like all Humanscale chairs, the Freedom chair was designed to look and function like new after years of consistent use.

Freedom

<p>Freedom Task Chair with Headrest, Corde 4 Black: LIST \$2,124</p> <ul style="list-style-type: none"> • G Graphite • Color: Black • Textile: Corde 4 • Height Adjustable Duron arms • Foam seat pan • Standard hard casters • 5" cylinder  <p>F211GCF10.Q</p>	<p>Freedom Task Chair, Corde 4 Black: LIST \$1,806</p> <ul style="list-style-type: none"> • G Graphite • Color: Black • Textile: Corde 4 • Height Adjustable Duron arms • Foam seat pan • Standard hard casters • 5" cylinder  <p>F111GCF10.Q</p>	<p>Freedom Task Chair, Fourtis Black: LIST \$1,806</p> <ul style="list-style-type: none"> • G Graphite • Color: Black • Textile: Fourtis • Height Adjustable Duron arms • Foam seat pan • Standard hard casters • 5" cylinder  <p>F111GFT10.Q</p>	<p>Freedom Task Chair, Fourtis Granite: LIST \$1,806</p> <ul style="list-style-type: none"> • G Graphite • Color: Granite • Textile: Fourtis • Height Adjustable Duron arms • Foam seat pan • Standard hard casters • 5" cylinder  <p>F111GFT12.Q</p>
---	---	--	---

*Availability based on volume/quantity ordered.



The Liberty Task chair is an intelligent mesh back task chair engineered to provide automatic lumbar support for every user, as well offering simplicity and complete ease of use. Liberty was designed to offer a unique, minimal aesthetic and to provide custom comfort for every person who sits in it. Liberty uses Humanscale’s revolutionary Form-Sensing Mesh Technology and mechanism-free recline for perfect support and unprecedented comfort.

Liberty

Liberty Task Chair, Monofilament Stripe Black Backrest, Corde 4 Black Seat:
LIST **\$1,797**

- Backrest Textile/Color: Monofilament Stripe, Black
- Seat Textile/Color: Corde 4, Black
- Height Adjustable Duron Arms
- Black frame with black trim
- Foam seat pan
- Standard hard casters
- 5" cylinder



L111BM10CF10.Q

Liberty Task Chair, Monofilament Stripe Black Backrest, Fourtis Black Seat:
LIST **\$1,797**

- Backrest Textile/Color: Monofilament Stripe, Black
- Seat Textile/Color: Fourtis 4, Black
- Height Adjustable Duron Arms
- Black frame with black trim
- Foam seat pan
- Standard hard casters
- 5" cylinder



L111BM10FT10.Q

Liberty Side Chair, Monofilament Stripe Black Backrest, Monofilament Stripe Black Seat:
LIST **\$913**

- Backrest Textile/Color: Monofilament Stripe, Black
- Seat Textile/Color: Monofilament Stripe, Black
- Fixed Duron Arms
- Black frame with black trim



L406BM10M10 **

*Availability based on volume/quantity ordered.
**10 day lead time

The Diffrient Smart chair is an intelligent mesh back task chair with a striking linear aesthetic that complements any environment. Engineered to provide automatic lumbar support for every user, as well as simplicity and ease of use, Diffrient Smart offers comfort, style and flexibility. Diffrient Smart was created by designer Niels Diffrient and uses Humanscale’s revolutionary Form-Sensing Mesh Technology and mechanism-free recline for perfect support for every user.

Smart

Diffrient Smart Chair,
Monofilament Stripe Black Back,
Corde 4 Black Seat:
LIST **\$1,982**

- Backrest Textile/Color:
Monofilament Stripe, Black
- Seat Textile/Color:
Corde 4, Black
- Adjustable Duron Arms
- Black frame with black trim
- Foam seat pan
- Standard hard casters
- 5" cylinder



S413BM10CF10.Q

Diffrient Smart Chair,
Monofilament Stripe Black Back,
Fourtis Black Seat:
LIST **\$1,982**

- Backrest Textile/Color:
Monofilament Stripe, Black
- Seat Textile/Color:
Fourtis, Black
- Adjustable Duron Arms
- Black frame with black trim
- Foam seat pan
- Standard hard casters
- 5" cylinder



S413BM10FT10.Q

Diffrient Smart Chair,
Pinstripe Black Back,
Corde 4 Black Seat:
LIST **\$2,139**

- Backrest Textile/Color:
Pinstripe, Black
- Seat Textile/Color:
Corde 4, Black
- Adjustable Duron Arms
- Dark gray frame with aluminum trim
- Foam seat pan
- Standard hard casters
- 5" cylinder



S413DN10CF10.Q

Diffrient World is Humanscale's first foray into all-mesh task seating. Designer Niels Diffrient wanted to create the most minimal, full-function task chair ever made. With an innovative tri-panel mesh backrest that provides custom back and lumbar support and a lightweight design, Diffrient World is, like all of Humanscale's products, simple, beautiful and functional. The design eliminates the need for traditional mechanisms, instead using the laws of physics and the sitter's body weight to offer perfect recline for each individual sitter. Diffrient World offers the ultimate user-friendly sitting experience.

World

Diffrient World Chair, Pinstripe Black Back, Pinstripe Black Seat
LIST **\$1,556**

- Backrest Textile/Color: Pinstripe, Black
- Seat Textile/Color: Pinstripe, Black
- Height Adjustable Duron Arms
- Black frame with black trim
- Foam seat pan
- Standard hard casters
- 5" cylinder



W11BN10N10.Q

Diffrient World Chair, Catena Black Back, Catena Black Seat
LIST **\$1,556**

- Backrest Textile/Color: Catena, Black
- Seat Textile/Color: Catena, Black
- Height Adjustable Duron Arms
- Black frame with black trim
- Foam seat pan
- Standard hard casters
- 5" cylinder



W11BJ10J10

Diffrient World Chair, Monofilament Stripe Black Back, Corde 4 Black Seat
LIST **\$1,672**

- Backrest Textile/Color: Monofilament Stripe Black
- Seat Textile/Color: Corde 4 Black
- Height Adjustable Duron Arms
- Black frame with black trim
- Foam seat pan
- Standard hard casters
- 5" cylinder



W11BM10CF10.Q

The Red Dot-Award winning Trea chair teams a timeless, clean aesthetic with high-performance function. Created in collaboration with visionary designer Todd Bracher, Trea offers intuitive comfort by mimicking the instinctive recline of the human body and embracing the sitter in a supportive shell.

Trea

Trea, White Powder Backrest and Seat, with Four Leg Base:
LIST **\$877**

- Back Rest Color: White Powder
- Seat Color: White Powder
- Base: Four Leg, White Powder
- Glides



T100WWW-G--

Trea, White Powder Backrest and Seat, with Four Star Base:
LIST **\$1,405**

- Back Rest Color: White Powder
- Seat Color: White Powder
- Base: Four Star, White Powder
- Hard Casters



T300WWW-C--



MONITOR ARMS SHIPS IN 5 BUSINESS DAYS*

Our revolutionary new monitor arms were designed for unprecedented adaptability and instantly improve the comfort, health and productivity of any workspace. Featuring innovations like Humanscale’s patented Weight-Compensating Spring Technology and Smart Stop functionality, these adjustable monitor arms enable the personalization and flexibility needed for today’s evolving workplaces.

M2.1

M8.1

M8.1 w/Crossbar

M8.1 w/Crossbar & Handle

LIST \$524

- Arm Style: Angled Link/ Dynamic Link
- Accommodates one monitor up to 15.5 lbs
- Two-piece clamp mount base



Silver with Gray Trim
Q-M21CMSBTB



Polished Aluminum White Trim
Q-M21CMWBTB



Black with Black Trim
Q-M21CMBBTB

LIST \$822

- Arm Style: Angled Link/ Dynamic Link
- Accommodates one monitor up to 28 lbs
- Two-piece clamp mount base



Silver with Gray Trim
Q-M81CMSBTB



Polished Aluminum White Trim
Q-M81CMWBTB



Black with Black Trim
Q-M81CMBBTB

LIST \$1,048

- Arm Style: Angled Link/ Dynamic Link
- Accommodates two monitors up to 12 pounds each
- Two-piece clamp mount base



*Silver with Gray Trim and Gray VESA Bracket
Q-M81CMSB2G



Silver with Gray Trim
Q-M81CMSB2B



Polished Aluminum White Trim
Q-M81CMWB2B



Black with Black Trim
Q-M81CMBB2B

LIST \$1,174

- Arm Style: Angled Link/ Dynamic Link
- Accommodates two monitors up to 12 pounds each
- Two-piece clamp mount base with handle



*Silver with Gray Trim and Gray VESA Bracket
Q-M81CMSBHG



Silver with Gray Trim
Q-M81CMSBHB



Polished Aluminum White Trim
Q-M81CMWBHB



Black with Black Trim
Q-M81CMBBHB

*Availability based on volume/quantity ordered.



MONITOR ARMS SHIPS IN 5 BUSINESS DAYS*

Our revolutionary new monitor arms were designed for unprecedented adaptability and instantly improve the comfort, health and productivity of any workspace. Featuring innovations like Humanscale's patented Weight-Compensating Spring Technology and Smart Stop functionality, these adjustable monitor arms enable the personalization and flexibility needed for today's evolving workplaces.

M10

M10 w/Triple Crossbar & Handle

LIST \$905

- Arm Style: Angled Link/ Dynamic Link
- Standard monitor tilt (one per monitor)
- Accommodates one monitor up to 48 lbs
- Two-piece clamp mount base



Silver with Gray Trim
Q-M10CMSBTB



Polished Aluminum White Trim
Q-M10CMWBTB



Black with Black Trim
Q-M10CMBBTB

LIST \$1,428

- Arm Style: Angled Link/ Dynamic Link
- Accommodates three monitors up to 10.5 lbs each
- Two-piece clamp mount base with handle



Silver with Gray Trim
Q-M10CMSBLB



Polished Aluminum White Trim
Q-M10CMWBLB



MONITOR ARMS SHIPS IN 5 BUSINESS DAYS*

Our revolutionary new monitor arms were designed for unprecedented adaptability and instantly improve the comfort, health and productivity of any workspace. Featuring innovations like Humanscale's patented Weight-Compensating Spring Technology and Smart Stop functionality, these adjustable monitor arms enable the personalization and flexibility needed for today's evolving workplaces.

M/Flex	M/Flex for Two Monitors	M/Flex for Two Monitors & Dual Arm Bracket	M/Flex for Two Monitors w/Slider & Dual Arm Bracket
LIST \$769	LIST \$1,149	LIST \$1,148	LIST \$1,209
<ul style="list-style-type: none"> • Arm Style: 8" Straight Link/Dynamic Link • Accommodates one monitor up to 15.5 lbs • Two-piece clamp mount base 	<ul style="list-style-type: none"> • Arm Style: Angled Link/Dynamic Link • Accommodates two monitors up to 15.5 lbs • Two-piece clamp mount base 	<ul style="list-style-type: none"> • Arm Style: 8" Straight Link/Dynamic Link • Accommodates two monitors up to 12 lbs each • Two-piece clamp mount base 	<ul style="list-style-type: none"> • Arm Style: Dynamic Link • Accommodates two monitors up to 12 lbs each • Two-piece clamp mount base
Silver with Gray Trim Q-X2ACMSETB12	Silver with Gray Trim Q-X22CMSMTBMTB	*Silver with Gray Trim with 8" Straight Link Q-X2BCMSETBETB12	Silver with Gray Trim with Slider Q-X2BCMSDSBDSB12
Polished Aluminum White Trim Q-X2ACMWETB12	Polished Aluminum White Trim Q-X22CMWMTBMTB	*Polished Aluminum White Trim with 8" Straight Link Q-X2BCMWETBETB12	Polished Aluminum White Trim with Slider Q-X2BCMWDSDSDSB12
	Black with Black Trim Q-X22CMBMTBMTB		BLACK WITH BLACK TRIM WITH SLIDER Q-X2CMBDSBDSB12

*Availability based on volume/quantity ordered.

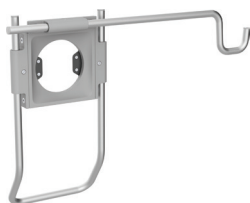


MONITOR ARMS ACCESSORIES SHIPS IN 5 BUSINESS DAYS*

Our monitor arms accessories support the Essential Workstation by helping to keep desks clutter-free.

Accessory Holder + Handle + Universal Accessory Bracket

LIST \$263



Silver
SMAHHA-S



Black
SMAHHA-B

Accessory Holder + Universal Accessory Bracket

LIST \$130



Silver
SMAH-S



Black
SMAH-B

Accessory Holder Kit

LIST \$95

- For retrofitting onto a setup which already has the Universal Accessory Bracket & Handle



Silver
SMAHK-S



Black
SMAHK-B

*Availability based on volume/quantity ordered.



Humanscale’s QuickStand Eco is the next generation in portable sit/stand desk solutions. Sleeker, easier to use and comprised of more sustainable materials than ever before, our adjustable standing desk solutions are a vast improvement over the current generation of sit/stand surfaces. QuickStand Eco features simple setup, portability and near effortless adjustability — transforming ordinary desktops into healthy, active workspaces.

**QuickStand Eco,
Laptop**

LIST **\$872**

- Laptop sit/stand workstation
- Minimal, compact and portable design complements any space
- Manufactured with sustainable, non-toxic materials
- Integrated cable management
- Freestanding base
- 18.6” height adjustment range
- Main assembly accommodates up to 35 lb
- Product Weight: 38.5 lb



White
QSEWL



Black
QSEBL

**QuickStand Eco,
Single Monitor**

LIST **\$1,006**

- Single monitor sit/stand workstation
- Minimal, compact and portable design complements any space
- Manufactured with sustainable, non-toxic materials
- Integrated cable management
- Freestanding base
- 18.6” height adjustment range
- Main assembly accommodates up to 35 lb
- Product Weight: 42.3 lb



White
QSEWS



Black
QSEBS

**QuickStand Eco,
Dual Monitor**

LIST **\$1,163**

MAP **\$921**

- Dual monitor sit/stand workstation
- Minimal, compact and portable design complements any space
- Manufactured with sustainable, non-toxic materials
- Integrated cable management
- Freestanding base
- 18.6” height adjustment range
- Main assembly accommodates up to 35 lb
- Product Weight: 45.0 lb



White
QSEWD



Black
QSEBD

*Availability based on volume/quantity ordered.



SIT/STAND SHIPS IN 5 BUSINESS DAYS*

eFloat GO, Humanscale's latest electric sit/stand desk, is the perfect standing desk solution for both home offices and commercial interiors. With innovative anti-collision technology, quiet motors, and programmable hand switch, eFloat GO encourages users to be active by seamlessly adjust positions through the day without disrupting workflow.

eFloat Go, 24" D X 48"*

LIST \$2,357

- Electric height-adjustable table
- Programmable hand switch automatically adjusts to each user's preferred height
- Expandable frame accommodates worksurfaces 48"- 84"wide
- Top Size: 24" D X 48" W (*Bamboo: 23" X 46")



Top Color: White Laminate
Base Color: White
FTR2448WH_FG1224DW



Top Color: White Laminate
Base Color: Silver
FTR2448WH_FG1224DS



Top Color: Black Laminate
Base Color: Silver
FTR2448BL_FG1224DS



Top Color: Bamboo
Base Color: White
FTR2448BM_FG1224DW

eFloat Go, 30" D x 60" W*

LIST \$2,542

- Electric height-adjustable table
- Programmable hand switch automatically adjusts to each user's preferred height
- Expandable frame accommodates worksurfaces 48"- 84"wide
- Top Size: 30" D X 60" W (*Bamboo: 29" X 58")



Top Color: White Laminate
Base Color: White
FTR3060WH_FG1230DW



Top Color: White Laminate
Base Color: Silver
FTR3060WH_FG1230DS



Top Color: Black Laminate
Base Color: Silver
FTR3060BL_FG1230DS



Top Color: Bamboo
Base Color: White
FTR3060BM_FG1230DW

*Availability based on volume/quantity ordered.



Float is a revolutionary standing office desk that brings effortless operation to traditional sit-stand products. Ease of use is at the heart of Float, as it seamlessly adjusts between sitting and standing postures without interrupting workflow. With a minimal aesthetic, Float complements traditional offices and home workspaces.

Float, 24" D X 48" W

LIST \$3,086

- Height-adjustable table
- Removable Counterbalance adjuster for effortless adjustment
- Accommodates 48"- 54" wide tops with a 24" depth
- Top Size: 24" D X 48" W



Top Color: White with Flat Edge Finish
Base Color: White
FTWR422448WHF



Top Color: White with Flat Edge Finish
Base Color: Silver
FTSR422448WHF



Top Color: Black with Flat Edge Finish
Base Color: Black
FTBR422448BLF

Float, 30" D x 60" W

LIST \$3,235

- Height-adjustable table
- Removable Counterbalance adjuster for effortless adjustment
- Accommodates 60"- 72" wide tops with a 30" depth
- Top Size: 30" D X 60" W



Top Color: White with Flat Edge Finish
Base Color: White
FTWR633060WHF



Top Color: Black with Flat Edge Finish
Base Color: Black
FTBR633060BLF



When introduced in 2011, Horizon became an instant icon and was honored with the design industry's prestigious Red Dot Award. Its innovative Thin Film LED Technology and striking minimal design earned it a place in the Museum of Modern Art's permanent collection. Humanscale has improved this classic's functionality, light quality, and energy efficiency to ensure it remains at the forefront of sustainability and performance.

Horizon

LIST \$745

- Thin Film LED Technology
- Touch Dimming
- Desktop Base
- Working height: 18.5"
- 7.5-Watts
- Made without Red List chemicals
- Energy Star 2.0 Certified
- Warranty: 10 Years, 24/7



Silver
H2BES



Artic White
H2BEW



Jet Black
H2BEB



Twilight Blue
H2BEL









Morning Pink
H2BEK



Bronze Gold
H2BEZ

Designed to complement any work surface and enhance any workstyle, the new Nova task light offers endless adaptability in a striking, sculptural form. The custom lens and LED array create a uniform pool of glare-free light that can be adjusted exactly to each user's preference. Energy Star-certified to benefit people and the planet, Nova is a lighting solution for today and the future.

Nova, Desktop Base	Nova, Charging Desktop Base	Nova, Extended Arms
LIST \$847	LIST \$1,016	LIST \$896
<ul style="list-style-type: none"> • Advanced LED Technology and >92 CRI • Touch Dimming with occupancy sensor • Made without Red List chemicals • Energy Star 2.0 Certified • Desktop Base • Working Height: Lower arm - 13.8", Upper Arm - 13" • Power Consumption: 7 Watts • Warranty: 10 Years, 24/7 	<ul style="list-style-type: none"> • Advanced LED Technology and >92 CRI • Touch Dimming with occupancy sensor • Made without Red List chemicals • Energy Star 2.0 Certified • Charging Desktop Base • Working Height: Lower arm - 13.8", Upper Arm - 13" • Power Consumption: 7 Watts • Warranty: 10 Years, 24/7 	<ul style="list-style-type: none"> • Advanced LED Technology and >92 CRI • Available in XL for extended reach • Touch Dimming with occupancy sensor • Made without Red List chemicals • Energy Star 2.0 Certified • Desktop Base • Working Height: Lower arm - 13.8", Upper Arm - 13" • Power Consumption: 7 Watts • Warranty: 10 Years, 24/7
		
<p>Light Gray NV3EBG</p>	<p>Light Gray NV3EYG</p>	<p>Light Gray NX3EBG</p>
		
<p>Jet Black NV3EBB</p>	<p>Arctic White NV3EYW</p>	<p>Jet Black NX3EBB</p>

*Availability based on volume/quantity ordered.



KEYBOARD SYSTEMS SHIPS IN 5 BUSINESS DAYS*

In many ways, a keyboard support is the heart of an ergonomic workstation. As reach and vision drive posture, our keyboard trays allow the user to sit in a healthy, neutral posture through bringing the keyboard and mouse to the user in an ergonomic position. These well-designed keyboard trays offer protection from carpal tunnel syndrome, neck and back pain and other musculoskeletal issues.

6G90090HG22

LIST \$663

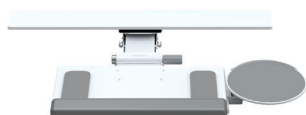
- Sleek and intuitive, 7" height adjustable arm
- 900 Keyboard platform
- 8.5" High clip mouse platform
- Gel palm support
- 22" Track
- Color: Black



6GW90090HG22

LIST \$663

- Sleek and intuitive, 7" height adjustable arm
- 900 Keyboard platform
- 8.5" High clip mouse platform
- Gel palm support
- 22" Track
- Color: White



6FB259S12

LIST \$484

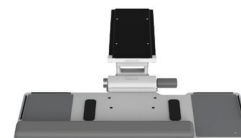
- Fixed arm for Height Adjustable Tables
- 259 Keyboard platform
- Slim palm support
- 12" Track
- Color: Black



6FW259S12

LIST \$484

- Fixed arm for Height Adjustable Tables
- 259 Keyboard platform
- Slim palm support
- 12" Track
- Color: White



FOOT ROCKERS SHIPS IN 5 BUSINESS DAYS*

Making movement at the workstation simple, our dynamic Foot Rockers are designed to maximize comfort while promoting an active workspace. Our Foot Rockers raise the feet to relieve pressure on the lower back and encourage gentle rocking, which uses the lower leg muscles to increase circulation and boost energy.

FR500C

LIST \$195

- Non-skid inset pads surface
- Solid hardwood platform with steel frame
- Curved leg design encourages rocking motion to provide lower back support
- Available in retail shelf packaging by adding an "-R" at the end of the configuration code when submitting the order (FR500C-R)
- Dimensions: 12.25" D x 16.75" W x 4.5" H
- Color: Cherry



FR500K

LIST \$195

- Non-skid inset pads surface
- Solid hardwood platform with steel frame
- Curved leg design encourages rocking motion to provide lower back support
- Available in retail shelf packaging by adding an "-R" at the end of the configuration code when submitting the order (FR500K-R)
- Dimensions: 12.25" D x 16.75" W x 4.5" H
- Color: Black



FR300

LIST \$195

- Solid hardwood platform with steel frame
- Non-skid surface
- Dimensions: 11.875" D x 16" W x 3.75-6.75" H
- Height range: 3.75" to 6.75"
- Color: Natural



FR100

LIST \$195

- Non-skid inset pads surface
- Friction angle adjustments for easy positioning and lower back support
- Dimensions: 12.25" D x 16.75" W x 4.5" H
- Color: Natural



*Availability based on volume/quantity ordered.



The Razer™ Pro Click, designed in collaboration with Humanscale, is a state-of-the-art wireless ergonomic computer mouse built for comfort and productivity. Engineered by top ergonomists and designers, Pro Click's shape contours to the user's palm, eliminating any contact between the hand and the work surface. Designed with a 30-degree tilt, Pro Click promotes a natural ergonomic arm posture to alleviate unwanted wrist strain for all-day comfort.

PRO CLICK ERGONOMIC MOUSE

LIST \$255

- Designed with ergonomics and precision for all day comfort and high-performance productivity
- Wireless connectivity
- Pairs to up to 4 devices
- 8 programmable buttons for efficient, extended controls
- Battery life extends to up to 400 hours
- Durable for up to 50 million clicks
- Micro USB charging
- OS requirements: Windows
- Size: 126.7mm x 79.7mm x 45.7mm
- Weight: 106g
- Color: White with grey trim (polished accents)
- Warranty: 2 Years, 24/7



PROCLICK-NA

NEAT SUITE SHIPS IN 5 BUSINESS DAYS*

This suite of solutions helps organize the workspace and positions technology exactly where you need them, and in the most tidy way possible. Convert any ordinary desk into a smart, connected workstation.

NeatHub

LIST \$343

- Easy to install and attaches to almost any work surface
- Supports mobile devices, laptops, or any device using an AC or USB plug
- Smart Power Distribution Technology balances power delivery to prevent overcharging and short-circuiting
- Compatible with NeatTech Cable management



Available in white or black (inset)

NeatCharge

LIST \$321

- No touchpoints – simply place your mobile device on the table to charge
- Wirelessly charge up to 10W of Qi-compatible devices
- Accommodates work surfaces up to 1.18" thick

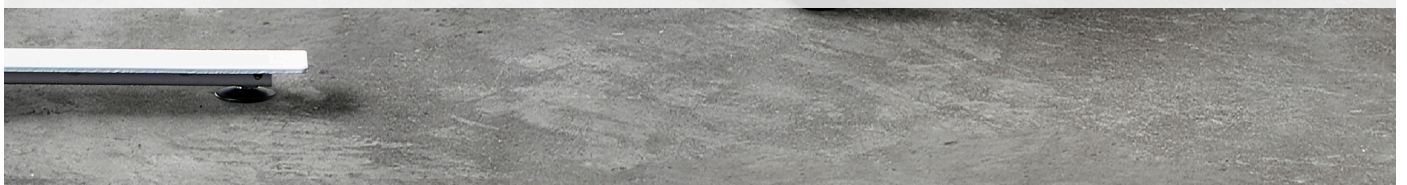




FREEDOM

With Freedom, the knobs, levers and locks of current-generation task chairs have been replaced by intelligent mechanisms that automatically support the body as it moves from task to task. By minimizing the need for manual controls, Freedom maximizes natural, spontaneous movement, which is essential for a healthy body and a comfortable day's work.

Freedom's many features can be enjoyed with virtually no effort.



FREEDOM Features & Characteristics



DYNAMIC HEADREST

- Position-sensitive headrest moves into place when you recline and out of the way when you sit upright
- 5" vertical adjustment to fit all users
- Moves in the natural arc of head/neck for perfect support through range of recline
- Contoured to cradle the head and neck in comfort

SELF-ADJUSTING RECLINE

- Intelligent counter-balance recline mechanism automatically provides the right amount of support through the full range of recline motion, regardless of user size and weight
- No tension springs to adjust
- No recline locks to set / release
- During recline, the angle between torso and legs opens up for better body function
- User maintains near-constant eye level during recline

PIVOTING BACKREST

- Extra motion of the backrest during recline automatically adjusts to the changing needs of the spine
- Provides up to 1" additional lumbar support when needed

SYNCHRONOUS ARMRESTS

- Revolutionary armrests move in tandem to eliminate uneven arm positioning
- Natural lift and release action for immediate repositioning without buttons or locks
- 6" range of vertical motion to accommodate all users and tasks
- Can be positioned below thigh level for close to table or desk work
- Attached to backrest so arms stay in same relation to body during recline
- Duro arm pad for durability and comfort

CUSHIONS

- Carefully sculpted to match body contours
- Increased contact area reduces pressure points
- Modular for easy replacement
- Molded polyurethane foam cushions
- Optional arm pads and seat have top layer of Technogel®
- Upholstered with a variety of materials customized to the unique form of the cushion

GEL SEAT CUSHION

- Non-degradable, non-compressible Technogel® layer on top of foam core
- Provides maximum pressure distribution
- Offers unmatched, long-term comfort

CYLINDER OPTIONS

- Provides seat height range that accommodates 95% of the population
- Low cylinder for small users
- Tall cylinder for very tall users
- High cylinder with foot ring
- Extra-high cylinder with foot ring (Saddle seat only)

External Frame and OPTIONAL Base UPGRADE

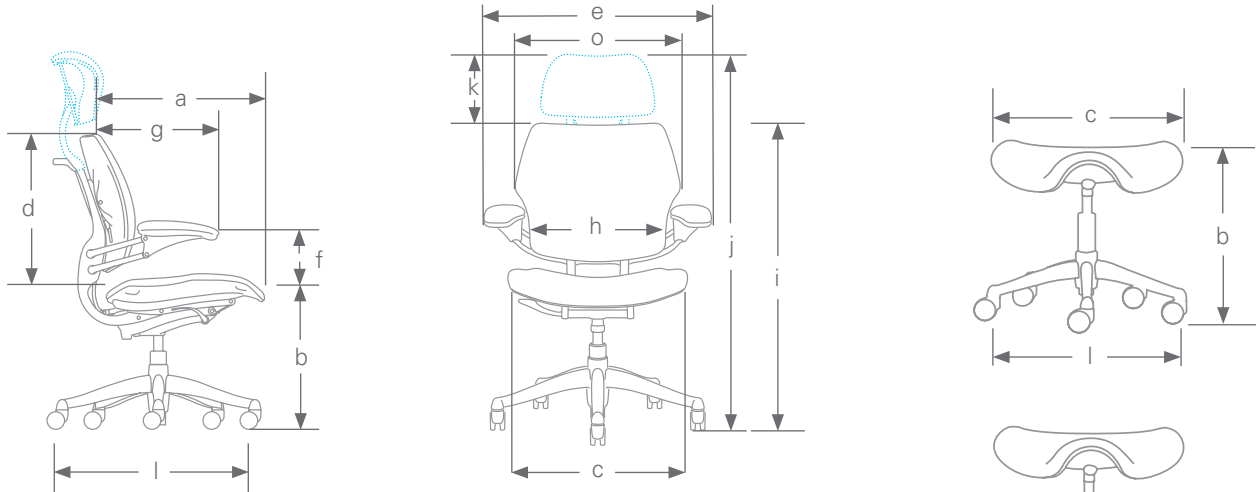
- Die-cast aluminum with fused plastic coating or polished aluminum finish

CASTER OPTIONS

- 2.5" soft double-wheel casters for hard floors
- Non-rolling glides for fixed-location use
- 2.5" locking casters



FREEDOM Specifications



CODE	DESCRIPTION	MEASUREMENT
a	Seat Depth (from face of lumbar to front of seat)	17.40" - 19.85"
b	Seat Height (floor to compressed front center of seat cushion)	16.125" - 20.25" standard cylinder chair 17" - 22.35" tall-cylinder chair 20.25" - 27.75" high-cylinder chair 17.5" - 22.25" return to height cylinder chair 17.3" - 22.1" standard cylinder stool 16.7" - 20.2" low-cylinder stool 18.2" - 23.2" tall-cylinder stool 19.9" - 27.5" high cylinder stool 22.4" - 32.5" extra-high cylinder with glides
c	Seat Width	21" chair 22" Saddle seat 16" Pony Saddle seat
d	Backrest Height (from seat cushion to top of backrest)	18" - 20.9" 3" in 0.25" increments
e	Chair Width	26.75" with arms 21.1" without arms
f	Armrest Height (compressed seat cushion to top of armrest)	3.75" - 9.6"
g	Armrest Length (from face of lumbar to front of armrest)	8.8"
h	Distance between armrests (front inside edge)	19" standard 18.25" - 21.25" advanced
i	Height, Task Chair	34.625" - 41.775" standard cylinder 36.125" - 44.025" tall-cylinder 39.0" - 49.4" high-cylinder 35.25" - 40.775" 3" return to height cylinder 35.5" - 40.775" 5" return to height cylinder
j	Height, Task Chair with Headrest	42.375" - 54.275" standard cylinder 43.875" - 56.525" tall-cylinder 46.75" - 61.9" high-cylinder 43.0" - 53.275" 3" return to height cylinder 43.0" - 53.275" 5" return to height cylinder
k	Headrest Height Adjustment Range	5"
l	Base Diameter	25" chair, high or extra-high Saddle / Pony 22" standard Saddle / Pony
m	Foot Ring Diameter	20"
n	Foot Ring Height Adjustment (from floor)	6" - 11"
o	Backrest Width	21"

SCOPE OF USERS
<ul style="list-style-type: none"> Standard chair fits more than 95% of the office population <ul style="list-style-type: none"> - 5'0" Woman to 6'4" Man - 100 to 400 lbs. Users outside the standard range can be accommodated by <ul style="list-style-type: none"> - Low or Tall Cylinder - Advanced Armrests
WEIGHT
<ul style="list-style-type: none"> 38 lbs. Headrest with arms 34 lbs. Headrest without arms 34 lbs. Task with arms 30 lbs. Task without arms 14 lbs. Saddle 20 lbs. Saddle with Foot Ring 14 lbs. Pony Saddle 18 lbs. Pony Saddle with Foot Ring
BACKREST RECLINE
<ul style="list-style-type: none"> 22° recline plus 7° backrest tilt
REFERENCE ANGLE BETWEEN SEAT AND BACK
<ul style="list-style-type: none"> 100° to 129°
HEADREST RADIAL MOTION
<ul style="list-style-type: none"> 30°



FREEDOM Build Your Product Code

			Freedom Task		Freedom Headrest		Freedom Saddle		Freedom Pony	
			F11		F21		F30		F40	
COMPONENT	CODE	BASE MODEL PRICE	LIST \$1,612		LIST \$1,930		LIST \$509		LIST \$463	
ARMREST	0	Armless (Required option for Saddle/Pony)	—		—		—		—	
	1	Standard Duron Arms	\$161		\$161		N/A		N/A	
	2	Standard Duron Arms with Matching Textile	\$196		\$196		N/A		N/A	
	3	Advanced Duron Arms	\$290		\$290		N/A		N/A	
	4	Advanced Duron Arms with Matching Textile	\$328		\$328		N/A		N/A	
	X	Standard Duron Gel Arms	\$207		\$207		N/A		N/A	
	M	Standard Gel Arms with Matching Textile	\$245		\$245		N/A		N/A	
	D	Advanced Duron Gel Arms	\$335		\$335		N/A		N/A	
	C	Advanced Gel Arms with Matching Textile	\$376		\$376		N/A		N/A	
FRAME	G	Graphite	—		—		—		—	
	A	Polished Aluminum with Graphite <i>Comes standard with polished aluminum base</i>	\$365		\$398		\$211		\$211	
TEXTILE		Textile Grade 1 (FT,K,CF)	\$34		\$34		\$18		\$18	
		Textile Grade 2 (F)	\$124		\$138		\$64		\$64	
		Leather Grade 1 (TL)	\$1,050		\$1,206		\$642		\$642	
		Leather Grade 3 (CL)	\$2,170		\$2,750		\$1,036		\$1,036	
TEXTILE COLOR		See pages 39 - 41 for color options								
LEATHER STITCHING*		If leather is selected, see page 36 for stitch options					N/A		N/A	
		No leather selected	—		—		—		—	
GEL SEAT	-	Standard Foam Seat Pan	—		—		—		—	
	G	Gel Seat - <i>Not compatible with Lotus or with leather textiles</i>	\$120		\$120		N/A		N/A	
CYLINDER	-	Standard 5"	—		—		—		—	
	A	3" Return to Height Cylinder	\$69		\$69		\$69		\$69	
	E	5" Return to Height Cylinder	\$69		\$69		\$69		\$69	
	L	Low 3.75"	N/A		N/A		\$42		\$42	
	T	Tall 5"	\$61		\$60		\$60		\$60	
	H	High 8"	N/A		N/A		\$60		\$60	
	W	High 8" w/20" Foot Ring	\$204		\$204		\$202		\$202	
	Y	Extra-High 10" w/20" Foot Ring <i>Only available on Saddle Seat with Glides or Locking Casters</i>	N/A		N/A		\$202		\$202	
CASTER TYPE	-	Standard Hard Casters	—		—		—		—	
	G	Glides	\$35		\$35		\$34		\$34	
	S	Soft Casters	\$35		\$35		\$34		\$34	
	K	Automatic Locking Casters	\$181		\$181		\$179		\$179	
FIRE PROOFING	-	Standard Foams and Plastics	—		—		—		—	
	C	CAL 133-Approved Foams and Plastics	\$93		\$120		\$53		\$53	
BASE UPGRADE <i>Standard Aluminum Base should be selected with A and M frame colors.</i>	-	Standard Composite Base to match Graphite or Titanium frame color	—		—		—		—	
	-	Standard Aluminum Base to match frame color	—		—		—		—	
	M	Powder-coated Aluminum Base to match Graphite frame color	\$79		\$79		N/A		N/A	
	A	Polished Aluminum Base on Graphite Frame	\$226		\$226		N/A		N/A	
SHIPPING	-	Individually Boxed	—		—		—		—	
	B	Blanket Wrapped <i>See Terms and Conditions for minimum order requirements</i>	—		—		—		—	

*No box stitching on leather options for the Saddle or Pony Saddle

FREEDOM Options & Prices

REPLACEMENT PARTS	Code	CAL133 Available	Price	Textile 1	Textile 2	Leather 1	Leather 3
-------------------	------	------------------	-------	-----------	-----------	-----------	-----------

Seat Cushions							
Seat (Foam)	S 12224F	C		\$202	\$245	\$882	\$1,338
Seat (Gel)	S 1222G	C		\$322	\$364	N/A	N/A
Back	B 12224F	C		\$202	\$245	\$882	\$1,338
Saddle Seat	L 1222	C		\$227	\$308	\$942	\$1,402
Pony Saddle	LP 1222	C		\$195	\$278	\$908	\$1,370
Headrest	H 1222F	C		\$181	\$194	\$381	\$608

Armrest Cushions							
Standard Duron Arm Pads	FA		\$75	N/A	N/A	N/A	N/A
Advanced Duron Arm Pads	FV		\$75	N/A	N/A	N/A	N/A
Standard Duron Gel Arm Pads	FX		\$124	N/A	N/A	N/A	N/A
Advanced Duron Gel Arm Pads	FD		\$124	N/A	N/A	N/A	N/A
Standard Duron Arm Pads with Matching Textile (Pair)	FAM 1222	C		\$105	\$138	\$188	\$301
Advanced Duron Arm Pads with Matching Textile (Pair)	FVM 1222	C		\$105	\$138	\$188	\$301
Standard Gel Arm Pads with Matching Textile (Pair)	FXM 1222	C		\$154	\$187	\$236	\$349
Advanced Gel Arm Pads with Matching Textile (Pair)	FDM 1222	C		\$154	\$187	\$236	\$349

RETROFIT PARTS	Code	CAL133 Available	Price	Textile 1	Textile 2	Leather 1	Leather 3
Advanced Duron Arms	KDA3		\$293	N/A	N/A	N/A	N/A
Advanced Duron Gel Arms	KA3		\$342	N/A	N/A	N/A	N/A
Advanced Duron Arms with Matching Textile	KDAM31222	C		\$326	\$342	\$397	\$526
Advanced Gel Arms with Matching Textile	KAM31222	C		\$373	\$389	\$445	\$574
Freedom Task Chair Coat Hanger Kit	FREEDOM TASK COAT HANG KIT		\$116				
Freedom Headrest Chair Coat Hanger Kit	FREEDOM HEADREST COAT HANG KIT		\$99				

Any code containing a number refers to the component or textile that must be selected to order the replacement or retrofit part.

1-Textile Code **2-** Cushion Color **3-** Frame/Cushion Shell Color (G=Graphite) **4-** Leather Stitch Color (page 42)





DIFFRIENT SMART

Ideal for any designed environment, Diffrient Smart features aesthetics that are as minimal visually as the chair is functional. And, with its signature weight-sensitive recline, body-fitting Form-Sensing Mesh Technology and unique tri-panel backrest, Diffrient Smart adapts to every user, every time. Diffrient Smart is also available in the Plus version for a wider seat and with support for up to 400lbs.

DIFFRIENT SMART Features & Characteristics



BODY FIT

Size adjustable to fit more than 95% of the population

CUSHION PAN, BACK FRAME, FIVE-ARM BASE

Injection-molded, structural, integral color plastics

EXTERNAL FRAME

Die-cast aluminum with powder coating

FIREPROOFING

CAL 133-approved: optional fireproof barrier between textile and foam

SELF-ADJUSTING RECLINE

- Intelligent counter-balance recline mechanism automatically provides the right amount of support through the full range of recline motion, regardless of user size and weight
- No tension springs to adjust
- No recline locks to set/release
- During recline, the angle between torso and legs opens up for better body function
- User maintains near-constant eye level during recline

PIVOTING BACKREST

- Extra motion of the backrest during recline automatically adjusts to the changing needs of the spine
- Provides additional lumbar support as needed

FORM-SENSING MESH

- Tri-panel, non-stretch mesh construction creates body-fitting contours and self-adjusting lumbar support for a customized fit
- No external lumbar devices to adjust, break or lose
- Low-abrasion mesh protects clothing
- Modular for easy replacement

ARMREST OPTIONS

- Armless
- Fixed armrests
- Height-adjustable armrests with 5" range of adjustment
- 4D height-adjustable armrests with adjustable armpads (standard on Diffrient Smart Plus)

CONTOURED CUSHIONS

- Carefully sculpted to match body contours
- Increased contact area reduces pressure points
- Modular for easy replacement
- 2" thick cushions on Diffrient Smart with a 19.25" seat width
- 3" thick cushions on Diffrient Smart Plus with a 22" seat width

CYLINDER

- Standard cylinder provides seat height range that accommodates 95% of the population
- Optional low cylinder for small users
- Optional high cylinder for very tall users

BASE

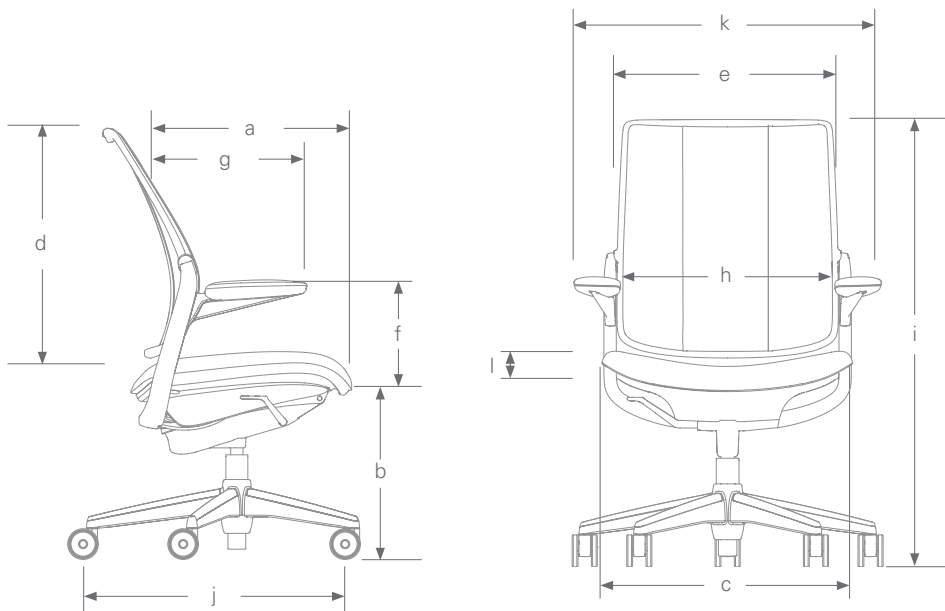
- Plastic base (standard on Diffrient Smart)
- Aluminum base (standard on Diffrient Smart Plus)

CASTER OPTIONS

- Standard 3" casters for carpeted floors
- Optional soft casters for hard floors



DIFFRIENT SMART Specifications



SCOPE OF USERS	
<ul style="list-style-type: none"> Conference/Task chair fits 95% of the office population <ul style="list-style-type: none"> – 5'0" (152cm) Woman to 6'4" (193cm) Man – 100 to 400 lbs. (45.4kg – 181kg) Diffrient Smart Plus <ul style="list-style-type: none"> – 100 to 400 lbs. (45.4kg – 181kg) Users outside the standard height range can be accommodated by Low or Tall Cylinder 	
WEIGHT	
<ul style="list-style-type: none"> 34 lbs. with arms 31 lbs. without arms 	
TILT AND RECLINE	
<ul style="list-style-type: none"> 18° recline plus 8° backrest tilt 	
REFERENCE ANGLE BETWEEN SEAT AND BACK	
<ul style="list-style-type: none"> 93° to 124° 	

CODE	DESCRIPTION	Diffrient Smart	Diffrient Smart Plus
a	seat depth (from face of lumbar to front of seat)	16.25" – 18.75"	17" – 19"
b	seat height (from floor to compressed front center of seat cushion)	16.5" - 20.75" standard cylinder chair 14.875" - 17.875" low-cylinder chair 17.625" - 22.625" tall-cylinder chair 20.75" - 28.25" 8" high-cylinder chair 17.125" - 19.75" 3" return to height cylinder chair 17.375" - 22.125" 5" return to height cylinder chair	17.5" – 22.75" standard cylinder chair 17.0" – 20.5" Low-Cylinder Chair 18.0" – 23.25" TALL-Cylinder Chair (5") 21.0" – 28.5" HIGH-Cylinder Chair (8") 17.25" – 19.63" Return to height Cylinder (3")
c	seat width	19.25"	22"
d	backrest height (from seat cushion to top of backrest)	22.50"	22.50"
e	backrest width	19"	19"
f	armrest height (from compressed seat cushion to top of armrest)	8.75" fixed 5" – 9.6" adjustable and 4D Arms	5.75" – 10.25" 4D (4D armrests only)
g	armrest length (from face of lumbar to front of armrest)	8.75"	8.75"
h	distance between armrests	18.50" fixed and adjustable 18" - 20" 4D arms	18" - 20" 4D arms (4D armrests only)
i	height	39" - 43.25" standard cylinder chair 37.5" - 40.5" low-cylinder chair 40.25" - 45.25" tall-cylinder chair 43.75" - 51.25" 8" high-cylinder chair 39.625" - 42.25" 3" return to height cylinder chair 39.875" - 44.625" 5" return to height cylinder chair	40" – 44.8" standard cylinder chair 40" – 43.5" low-cylinder chair 41" – 46" tall-cylinder chair 40.3" - 42.5" return to height cylinder chair
j	base diameter	26"	26"
k	chair width	26.5"	26.5"
l	cushion thickness	2"	3"



DIFFRIENT SMART Build Your Product Code

COMPONENT	CODE	BASE MODEL PRICE	Diffrient Smart		Diffrient Smart Ocean		Diffrient Smart Plus	
			LIST \$1,647		LIST \$1,727		LIST \$2,750	
LINE	S	Smart	-				-	
STYLE	1	Diffrient Smart Task Chair - Living Product Challenge Approved*	-		-		N/A	
* See page 44 for LPC approved textile options	2	Diffrient Smart Plus Task Chair	N/A		N/A		-	
	4	Diffrient Smart Task Chair	-		N/A		N/A	
MECHANISM	1	Task Chair	-				-	
ARMRESTS	0	Armless	-		-		-	
	1	Fixed Duron Arms	\$186		\$186		N/A	
	2	Fixed Duron Arms with Matching Textile	\$218		\$218		N/A	
	3	Adjustable Duron Arms	\$307		\$307		N/A	
	4	Adjustable Duron Arms with Matching Textile	\$342		\$342		N/A	
	5	4D Adjustable Duron Arms	\$361		\$361		\$361	
	6	4D Adjustable Duron Arms with Matching Textile	\$397		\$397		\$397	
FRAME COLOR	B	Black Frame with Black Trim	-		-		-	
	D	Dark Gray Frame with Polished Aluminum Trim	\$156		N/A		\$156	
	C	Black Frame with Polished Aluminum Trim	\$156		\$156		\$156	
BACKREST MESH STYLE		See page 41 and textile samples for mesh color options and codes						
BACKREST MESH COLOR		See page 41 and textile samples for mesh color options and codes						
SEAT TEXTILE		Textile Grade 1 (FT,K,CF)	\$28		\$28		\$45	
		Textile Grade 2 (F)	\$91		\$91		\$120	
		Leather Grade 1 (TL)	\$753		\$753		\$1,003	
		Leather Grade 3 (CL)	\$1,461		\$1,461		\$1,886	
SEAT TEXTILE COLOR		See pages 39 - 41 for color options						
LEATHER STITCHING	-	If leather is selected, see page 40 for stitch options						
	-	No leather selected	-				-	
SEAT PAN	-	Standard Seat Pan	-				-	
CYLINDER	-	Standard 5"	-		-		-	
	A	3" Return to Height Cylinder	\$68		\$68		\$68	
	E	5" Return to Height Cylinder	\$68		\$68		\$68	
	L	Low 3.75"	\$41		\$41		\$41	
	T	Tall 5"	\$59		\$59		\$59	
	W	High 8" cylinder w/ 20" foot ring	\$242		\$242		N/A	
CASTERS/ GLIDES	-	Standard Casters for Carpeted Floors	-				-	
	S	Soft Casters	-				-	
FIREPROOFING	-	Standard Foams and Plastics	-		-		-	
	C	CAL 133 Approved Foams and Plastics	\$77		\$74		\$98	
BASE	-	Standard Base	-		-		-	
	A	Polished Aluminum Base	\$226		\$226		\$226	
SHIPPING	-	Individually Boxed	-		-		-	
	B	Blanket Wrapped - See Terms and Conditions for minimum order requirements	-		-		-	



DIFFRIENT SMART Options & Prices

REPLACEMENT PARTS	Code	CAL133 Available	Price	Textile 1	Textile 2	Leather 1	Leather 3
Foam Seat Cushion (Diffrient Smart)	SSF12226	C	N/A	\$196	\$232	\$813	\$1,229
Foam Seat Cushion (Diffrient Smart Plus)	S2SF12226	C	N/A	\$269	\$307	\$1,012	\$1,467
Mesh Backrest (Diffrient Smart & Smart Plus)	SB3422		\$225	N/A	N/A	N/A	N/A
Mesh Backrest (Smart Ocean)	S1BB422		\$257	N/A	N/A	N/A	N/A
Duron Arm Pads (Pair) (Diffrient Smart & Smart Plus)	SDA5		\$89	N/A	N/A	N/A	N/A
Duron Arm Pads w/Matching Textile (Pair) (Diffrient Smart & Smart Plus)	SDAM1222	C	N/A	\$102	\$129	\$169	\$253

RETROFIT KITS	Code	CAL133 Available	Price	Textile 1	Textile 2	Leather 1	Leather 3
Fixed Duron Arms	SKF35		\$293	N/A	N/A	N/A	N/A
Fixed Duron Arms w/Matching Textile	SKFM31222	C	N/A	\$307	\$351	\$377	\$458
Height Adjustable Duron Arms	SKH35		\$520	N/A	N/A	N/A	N/A
Height Adjustable Duron Arms w/Matching Textile	SKHM31222	C	N/A	\$532	\$560	\$600	\$683
4D Adjustable Duron Arms	SKD35		\$560	N/A	N/A	N/A	N/A
4D Adjustable Duron Arms w/ Matching Textile	SKDM31222	C	N/A	\$573	\$600	\$644	\$723





LIBERTY

Liberty, with Form-Sensing Mesh Technology, is unlike any mesh chair you've seen or experienced. With its tri-panel construction, Liberty has the body-fitting contours that single-panel stretch mesh chairs simply can't achieve. And it offers perfect lumbar support for everyone, without external devices or manual adjustments. Liberty's mesh back is formed by combining three panels of non-stretch mesh in the same way a tailor combines multiple pieces of material to form a shirt. So its contours are custom-made to both fit and support the human body in unprecedented comfort.

LIBERTY Features & Characteristics



BODY FIT

Size adjustable to fit more than 95% of the population

CUSHION PAN, BACK FRAME, FIVE-ARM BASE

Injection-molded, structural, integral color plastics.
Optional stainless steel caps on base

EXTERNAL FRAME

Die-cast aluminum with fused plastic coating or polished aluminum finish

FIREPROOFING

CAL 133-approved: optional fireproof barrier between textile and foam

SELF-ADJUSTING RECLINE

- Intelligent counter-balance recline mechanism automatically provides the right amount of support through the full range of recline motion, regardless of user size and weight
- No tension springs to adjust
- No recline locks to set/release
- During recline, the angle between torso and legs opens up for better body function
- User maintains near-constant eye level during recline

PIVOTING BACKREST

- Extra motion of the backrest during recline automatically adjusts to the changing needs of the spine
- Provides additional lumbar support as needed

ARMREST OPTIONS

- Armless
- Fixed armrests
- Height-adjustable armrests with 5" range of adjustment
- Armpad Options: Standard Flexible Duron or Duron with Gel for optimal comfort

FORM-SENSING MESH

- Tri-panel, non-stretch mesh construction creates body-fitting contours and self-adjusting lumbar support for a customized fit
- No external lumbar devices to adjust, break or lose
- Low-abrasion mesh protects clothing
- Modular for easy replacement

CONTOURED CUSHIONS

- Carefully sculpted to match body contours
- Increased contact area reduces pressure points
- Modular for easy replacement
- Glueless cushions mean less usage of materials for a more environmentally friendly solution

CYLINDER

- Standard cylinder provides seat height range that accommodates 95% of the population
- Optional low cylinder for small users
- Optional tall cylinder for very tall users
- Optional high cylinder with foot ring

OPTIONAL FOOT RING

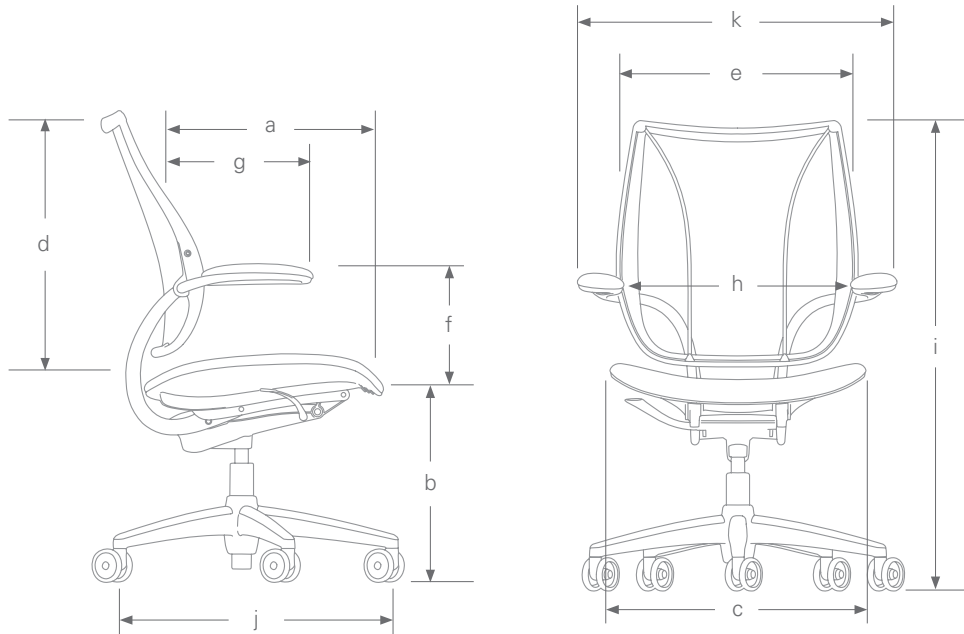
- Polished finish
- Height-adjustable

CASTER OPTIONS

- Standard 3" casters for carpeted floors
- Optional soft casters for hard floors
- Optional non-rolling glides for fixed location use



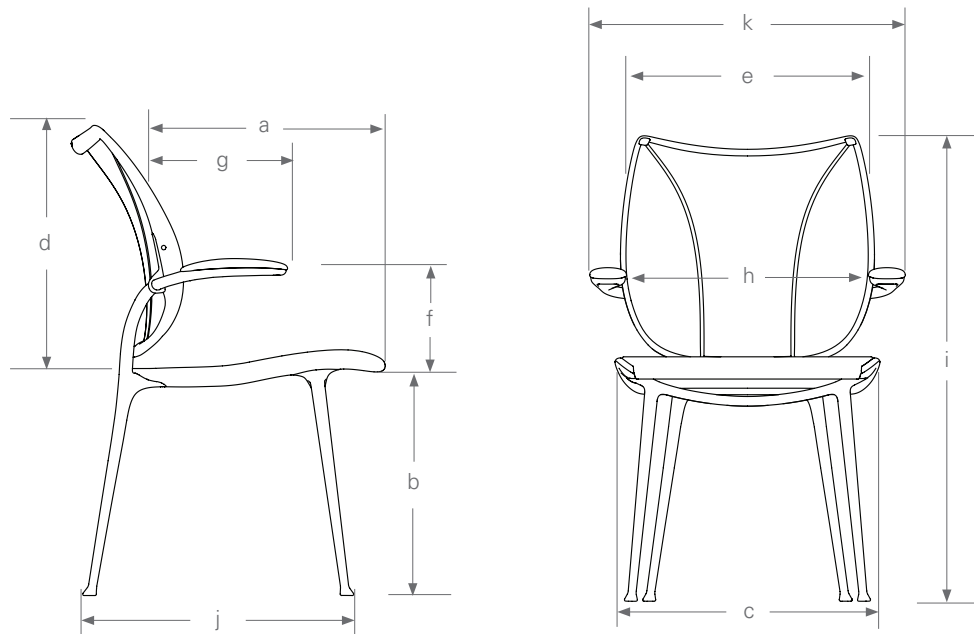
LIBERTY Specifications



CODE	DESCRIPTION	MEASUREMENT
a	seat depth <i>(from face of lumbar to front of seat)</i>	16.5" – 18.75"
b	seat height <i>(from floor to compressed front center of seat cushion)</i>	16.6" - 20.9" standard cylinder chair 15.4" - 18.4" low-cylinder chair 17.25" - 22.6" tall-cylinder chair 21.1" - 28.6" high-cylinder chair 24.0" - 34.0" extra high-cylinder chair 16.875" - 19.5" 3" return to height cylinder chair 17.125" - 21.875" 5" return to height cylinder chair
c	seat width	21.25"
d	backrest height <i>(from seat cushion to top of backrest)</i>	23"
e	backrest width	20"
f	armrest height <i>(from compressed seat cushion to top of armrest)</i>	10" fixed 6.25"-9.75" adjustable
g	armrest length <i>(from face of lumbar to front of armrest)</i>	8.6"
h	distance between armrests	19"
i	height	39.25" - 43.625" standard cylinder chair 37.875" - 40.875" low-cylinder chair 40.5" - 45.5" tall-cylinder chair 43.5" - 51.0" high-cylinder chair 47.0" - 57.0" extra high-cylinder chair 39.875" - 42.5" 3" return to height cylinder chair 40.125" - 44.875" 5" return to height cylinder chair
j	base diameter	25"
k	chair width	26.5" with arms 21" without arms

SCOPE OF USERS
<ul style="list-style-type: none"> Conference/Task chair fits more than 95% of the office population <ul style="list-style-type: none"> – 5'0" Woman to 6'4" Man – 100 to 400 lbs. Users outside the standard range can be accommodated by Low or Tall Cylinder
WEIGHT
<ul style="list-style-type: none"> 34 lbs. <i>with arms</i> 30 lbs. <i>without arms</i>
TILT AND RECLINE
<ul style="list-style-type: none"> 17° recline plus 7° backrest tilt <i>Conference/Task chair</i>
REFERENCE ANGLE BETWEEN SEAT AND BACK
<ul style="list-style-type: none"> 100° to 124° <i>Conference/Task chair</i>

LIBERTY Specifications



CODE	DESCRIPTION	MEASUREMENT
a	seat depth <i>(from face of lumbar to front of seat)</i>	18.5"
b	seat height <i>(from floor to compressed front center of seat cushion)</i>	18.4"
c	seat width	20.75"
d	backrest height <i>(from seat cushion to top of backrest)</i>	20.75"
e	backrest width	20.25"
f	armrest height <i>(from compressed seat cushion to top of armrest)</i>	9.1"
g	armrest length <i>(from face of lumbar to front of armrest)</i>	12"
h	distance between armrests	19.15"
i	height	36.75"
j	base diameter	N/A
k	chair width	25"

SCOPE OF USERS
<ul style="list-style-type: none"> Side chair fits more than 95% of the office population - 5'0" Woman to 6'4" Man - 100 to 300 lbs.
WEIGHT
<ul style="list-style-type: none"> 18 lbs. <i>with arms</i> 17 lbs. <i>without arms</i>



LIBERTY Build Your Product Code

COMPONENT	CODE	BASE MODEL PRICE	TASK		OCEAN		SIDE	
			LIST \$1,489		LIST \$1,563		LIST \$785	
STYLE	L11	Task Chair	-		N/A		N/A	
	L21	Liberty Ocean Task Chair	N/A		-		N/A	
	L40	Side Chair	N/A		N/A		-	
ARMRESTS	0	Armless	-		-		-	
	6	Fixed Duron Arms	\$161		\$161		\$128	
	7	Fixed Duron Arms with Matching Textile	\$196		\$196		\$165	
	1	Adjustable Duron Arms	\$274		\$274		N/A	
	2	Adjustable Duron Arms with Matching Textile	\$313		\$313		N/A	
FRAME COLOR	B	Black with Black Trim	-		-		-	
	V	Silver with Silver Trim	-		N/A		-	
	L	Silver with Black Trim	-		-		-	
	A	Polished Aluminum with Black Trim	\$206		\$206		\$135	
	P	Polished Aluminum with Silver Trim	\$206		N/A		\$135	
BACKREST MESH STYLE		See pages 39 - 41 for mesh color options and codes						
BACKREST MESH COLOR		See pages 39 - 41 for mesh color options and codes						
SEAT MESH/ TEXTILE STYLE		Mesh (M,C,N,J,A)	N/A		N/A		-	
		Textile Grade 1 (FT,K,CF)	\$34		\$34		\$98	
		Textile Grade 2 (F)	\$75		\$75		\$129	
		Leather Grade 1 (TL)	\$635		\$635		N/A	
		Leather Grade 3 (CL)	\$1,282		\$1,282		N/A	
SEAT MESH/ TEXTILE COLOR		See pages 39 - 41 for mesh color options and codes						
LEATHER STITCHING		If leather is selected, see page 40 for stitch options						
	-	No leather selected	-		-		-	
GEL SEAT	-	Standard Seat Pan	-		-		-	
	G	Gel Seat - <i>Not compatible with Lotus or with leather textiles</i>	\$120		\$120		N/A	
CYLINDER	-	Standard 5"	-		-		N/A	
	A	3" Return to Height Cylinder	\$69		\$69		N/A	
	E	5" Return to Height Cylinder	\$69		\$69		N/A	
	L	Low 3.75"	\$42		\$42		N/A	
	T	Tall 5"	\$61		\$61		N/A	
	W	High 8" w/ 20" Foot Ring	\$204		\$204		N/A	
	Y	10" Extra High w/ 20" Foot Ring	\$204		\$204		N/A	
CASTERS/GLIDES	-	Standard 3" Casters for carpeted floors	-		-		N/A	
	S	Soft Casters	-		-		N/A	
	G	Glides	\$30		\$30		N/A	
FIREPROOFING	-	Standard Foams and Plastics	-		-		-	
	C	CAL 133-Approved Foams and Plastics <i>(Included in all side chairs)</i>	\$68		\$68		-	
BASE	-	Standard Base	-		-		N/A	
	A	Polished Aluminum Base	\$226		\$226		N/A	
SHIPPING	-	Individually Boxed	-		-		-	
	B	Blanket Wrapped - <i>See Terms and Conditions for minimum order requirements</i>	-		-		-	



LIBERTY Options & Prices

REPLACEMENT PARTS	Code	CAL133 Available	Price	Textile 1	Textile 2	Leather 1	Leather 3
-------------------	------	------------------	-------	-----------	-----------	-----------	-----------

Liberty Conference/Task							
Seat (Foam)	LSF 12226	C	N/A	\$202	\$245	\$882	\$1,339
Seat (Gel)	LSG 1222	C	N/A	\$322	\$364	N/A	N/A
Mesh Backrest	LB3422		\$284	N/A	N/A	N/A	N/A
Fixed Duron Arm Pads (Pair)	LDA5		\$75	N/A	N/A	N/A	N/A
Height-Adjustable Duron Arm Pads (Pair)	LDV5		\$75	N/A	N/A	N/A	N/A
Height-Adjustable Duron Arm Pads with Matching Textile	LDVM1222		N/A	\$105	\$138	\$188	\$301
Height-Adjustable Duron Arm Pads (Pair)	LDVH5	C	\$75	N/A	N/A	N/A	N/A
Height-Adjustable Duron Arm Pads with Matching Textile	LDVHM1222	C	N/A	\$105	\$138	\$188	\$301
Advanced Duron Arm Pads (Pair)	LADV5	C	\$75	N/A	N/A	N/A	N/A
Advanced Duron Arm Pads with Matching Textile (Pair)	LADVHM1222	C	N/A	\$105	\$138	\$188	\$301

Liberty Side							
Mesh Backrest	LSCB3422		\$281	N/A	N/A	N/A	N/A
Mesh Seat Cushion	LSCS3422		\$281	N/A	N/A	N/A	N/A
Textile-covered Seat Cushion	LSCSM31222			\$314	\$345	N/A	N/A
Duron Arm Pads (Pair)	LSDA5		\$74	N/A	N/A	N/A	N/A
Duron Gel Arm Pads (Pair)	LSGA		\$123	N/A	N/A	N/A	N/A
Duron Arm Pads with Matching Textile Cover (Pair)	LSDAM 1222		N/A	\$104	\$136	\$186	\$298
Gel Arm Pads with Matching Textile Cover (Pair)	LSGAM 1222			\$153	\$185	\$234	\$345

Any code containing a number refers to the component or textile that must be selected to order the replacement or retrofit part.

- 1** – Textile Code (pages 41-42) **2** – Cushion Color (pages 41-42) **3** – Frame Color (B, V, A) **4** – Mesh (M, C, A, N, J)
5 – Arm Pad Color (B, V) **6** – Leather Stitch Color (page 42)



LIBERTY Options & Prices

RETROFIT PARTS	Code	CAL133 Available	Price	Textile 1	Textile 2	Leather 1	Leather 3
----------------	------	------------------	-------	-----------	-----------	-----------	-----------

Liberty Task Retrofit Kits							
Fixed Duron Arms (Pair)	LKFD35		\$188	N/A	N/A	N/A	N/A
Height-Adjustable Duron Arms (Pair)	LKD35		\$259	N/A	N/A	N/A	N/A
Fixed Duron Arms with Matching Textile (Pair)	LKFDM31222	C		\$219	\$251	\$301	\$413
Height-Adjustable Duron Arms with Matching Textile (Pair)	LKDM31222	C		\$292	\$322	\$373	\$486

Liberty Side Retrofit Kits							
Fixed Duron Arms (Pair)	LSKFD35		\$168	N/A	N/A	N/A	N/A
Fixed Duron Arms with Matching Textile Cover (Pair)	LSKFDM31222			\$200	\$234	\$281	\$394

Any code containing a number refers to the component or textile that must be selected to order the replacement or retrofit part.

1 – Textile Code (pages 42-43) **2** – Cushion Color (pages 42-44) **3** – Frame Color (B, V, A) **4** – Mesh (M, C, A, N, J)

5 – Arm Pad Color (B, V) **6** – Leather Stitch Color (page 42)

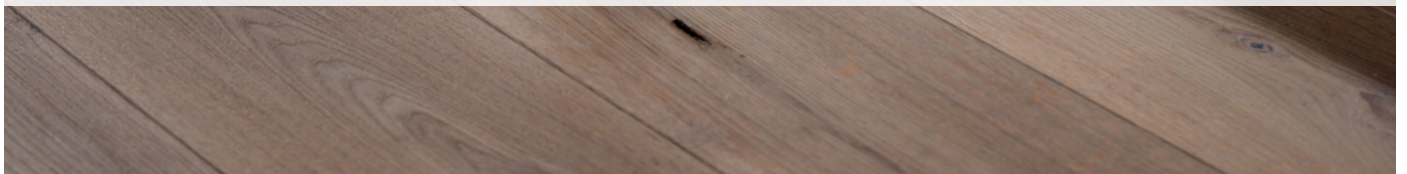




PATH

Path builds on Humanscale's 25 years of innovative engineering, developing products that are simple to use, encourage movement and healthy postures, and function and look as new after years of use.

Designed in collaboration with Todd Bracher Studio, our design goal was to create a task chair that is simple, beautiful and challenges our industry standard of complex mechanisms that require manual adjustment.



PATH Features & Characteristics



BODY FIT

- Size adjustable to fit more than 95% of the population

CUSHION PAN, BACK FRAME, FIVE-ARM BASE

- Injection-molded, structural, integral color plastics

EXTERNAL FRAME

- Die-cast aluminum with powder coating

SELF-ADJUSTING RECLINE

- Gravity Mechanism™ provides automatic support by using the sitter weight to counter recline force, resulting in a custom sitting experience for each user regardless of their size and weight
- No tension springs to adjust
- No recline locks to set/release
- During recline, the angle between torso and legs opens up for better body function
- User maintains near-constant eye level during recline

FORMSENSE ECO KNIT™

- FormSense Eco Knit™ instantly conforms to the shape of sitter's back, providing self-adjusting lumbar support that is tailored fit to any user
- No external lumbar devices to adjust, break or lose
- Modular for easy replacement

ARMREST OPTIONS

- Armless
- Fixed armrests
- Height-adjustable armrests

CONTOURED CUSHIONS

- Carefully sculpted to match body contours
- Increased contact area reduces pressure points
- Modular for easy replacement
- Glueless cushions mean less usage of materials for a more environmentally friendly solution

CYLINDER

- Standard cylinder provides seat height range that accommodates 95% of the population
- Optional low cylinder for small users

BASE

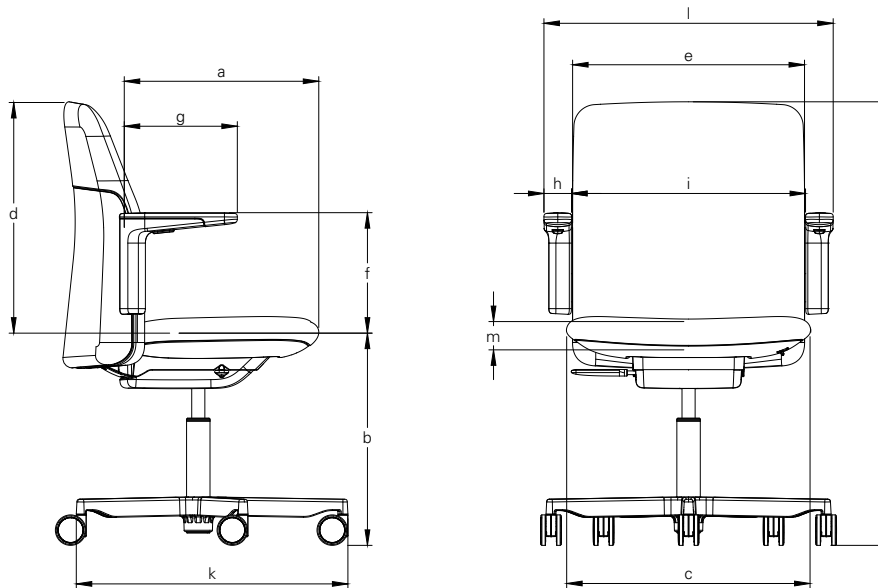
- Standard base to match frame
- Polished Aluminum Base on Black or Light Gray Frame

CASTER OPTIONS

- Standard casters for carpeted floors
- Optional soft casters for hard floors



PATH Specifications



CODE	DESCRIPTION	MEASUREMENT
a	"seat depth (from face of lumbar to front of seat)"	16.30" - 18.70
b	"seat height (std Cylinder) (from floor to compressed front center of seat cushion)"	15.55" - 20.87"
b	"seat height (low cylinder) (from floor to compressed front center of seat cushion)"	14.45" - 19.33"
c	seat width	20.47"
d	"backrest height (from seat cushion to top of backrest)"	20.67"
e	backrest width	19.09"
f	"armrest height- fixed (from compressed seat cushion to top of armrest)"	9.21"
f	"armrest height- adj (from compressed seat cushion to top of armrest)"	9.84"
g	"armrest length (both fixed and Adj) (from face of lumbar to front of armrest)"	9.25"
h	distance between armrests- fixed	19.88"
h	distance between armrests- adj	19.69"
i	height (std cylinder)	34.65" - 39.76"
i	height (low cylinder)	33.54" - 38.23"
j	base diameter	25"
k	chair width (with adj arms)	24.41"
k	chair width (with fixed arms)	23.82"

SCOPE OF USERS
<ul style="list-style-type: none"> Conference/Task chair fits 95% of the office population <ul style="list-style-type: none"> 5'0" (152cm) Woman to 6'4" (193cm) Man 100 to 300 lbs. (45.4kg - 181kg) Users outside the standard height range can be accommodated by Low or Tall Cylinder
WEIGHT
<ul style="list-style-type: none"> 41 lbs. with Arms 34.5 lbs. Armless
TILT AND RECLINE
<ul style="list-style-type: none"> 0 tilt / 16° recline
REFERENCE ANGLE BETWEEN SEAT AND BACK
<ul style="list-style-type: none"> 104°



PATH Build Your Product Code

COMPONENT	CODE	DESCRIPTION	LIST	
STYLE	PT1	Path Chair	\$1,485	
ARMREST	0	Armless	-	
	1	Fixed Arms	\$151	
	6	Adjustable Duron Arms	\$281	
FRAME	B	Black with Black Trim	-	
	V	Light Gray with Dark Gray Trim	\$79	
	A	Polished Aluminum with Black	\$166	
	P	Polished Aluminum with Light Gray	\$238	
TEXTILE	KT	FormSense Eco Knit	-	
	K	Textile Grade 1	\$93	
	TL	Leather Grade 1	\$613	
	CL	Leather Grade 3	\$815	
LEATHER STITCH	L	Only if leather is selected, see textiles section for stitch options	-	
CYLINDER	-	Standard 5"	-	
	L	L Low 3.75"	\$56	
CASTER	-	- Standard Hard Casters	-	
	S	S Soft Casters	-	
	O	O Soft Braking Caster	\$71	
FIREPROOFING	-	- Standard Foams and Plastics	-	
BASE	-	Standard Base to match frame color	-	
	A	Polished Aluminum Base	\$209	
SHIPPING	-	Individually Boxed (Knock Down)	-	
	B	Blanket Wrapped	-	



PATH Options & Prices

REPLACEMENT PARTS	Code	Price
-------------------	------	-------

Chair Parts		
Seat	PS12224	\$192
Back	PB12224	\$218
Back Shell	PBS3	\$278
Back Shell (Armless)	PBSL3	\$278

Armrests		
Fixed Arms (Pair)	PTF3	\$72
Height-Adjustable Arms (Pair)	PTA3	\$100

RETROFIT PARTS	Code	Price
Fixed Arms (Pair)	PTFD3	\$205
Height-Adjustable Arms (Pair)	PTAD3	\$246

Any code containing a number refers to the component or textile that must be selected to order the replacement or retrofit part.

- 1** – Textile Code
- 2** – Cushion Color
- 3** – Frame/Cushion Shell Color (B, V, A, P)
- 4** – Leather Stitch Color (see textiles section)



DIFFRIENT WORLD

Diffrient World marks Humanscale's first foray into all-mesh task seating. Like its mesh-backed forerunner, Liberty, Diffrient World's tri-panel backrest hugs the body to provide tailor-made lumbar support, while its mesh seat eliminates contact stress under the thighs. But Diffrient World's major innovation is its mechanism-free recline action, which leverages two parts of the chair's frame, the user's body weight, and the laws of physics to provide automatic and balanced support throughout the full range of recline. No chair is more intuitive, creating the ultimate user-friendly sitting experience.



DIFFRIENT WORLD Features & Characteristics



BODY FIT

Size adjustable to fit more than 95% of the population

CUSHION PAN, BACK FRAME, FIVE-ARM BASE

Non-stretch, tri-panel mesh back. Non-stretch mesh seat. Optional upholstered polyurethane foam seat cushion

EXTERNAL FRAME

Injection-molded, structural, integral color glass-filled Nylon 6

FIREPROOFING

CAL 133-approved option available

SELF-ADJUSTING RECLINE

- Intelligent counter-balance recline mechanism automatically provides the right amount of support through the full range of recline motion, regardless of user size and weight
- No tension springs to adjust
- No recline locks to set/release
- During recline, the angle between torso and legs opens up for better body function
- User maintains near-constant eye level during recline

PIVOTING BACKREST

- Extra motion of the backrest during recline automatically adjusts to the changing needs of the spine
- Provides additional lumbar support as needed

ARMREST OPTIONS

- Armless, Fixed armrests or Height-adjustable armrests with 3.2" range of adjustment

ARM PAD OPTIONS

- Flexible Duron or Matching textile-covered arm pad

FORM-SENSING MESH

- Tri-panel, non-stretch mesh construction creates body-fitting contours and self-adjusting lumbar support for a customized fit
- No external lumbar devices to adjust, break or lose
- Low-abrasion mesh protects clothing
- Modular for easy replacement

NON-STRETCH MESH SEAT

- Automatically sculpts to match body contours
- Cradles the body in flexible, breathable mesh
- Frameless front edge eliminates contact stress under the thighs

CYLINDER

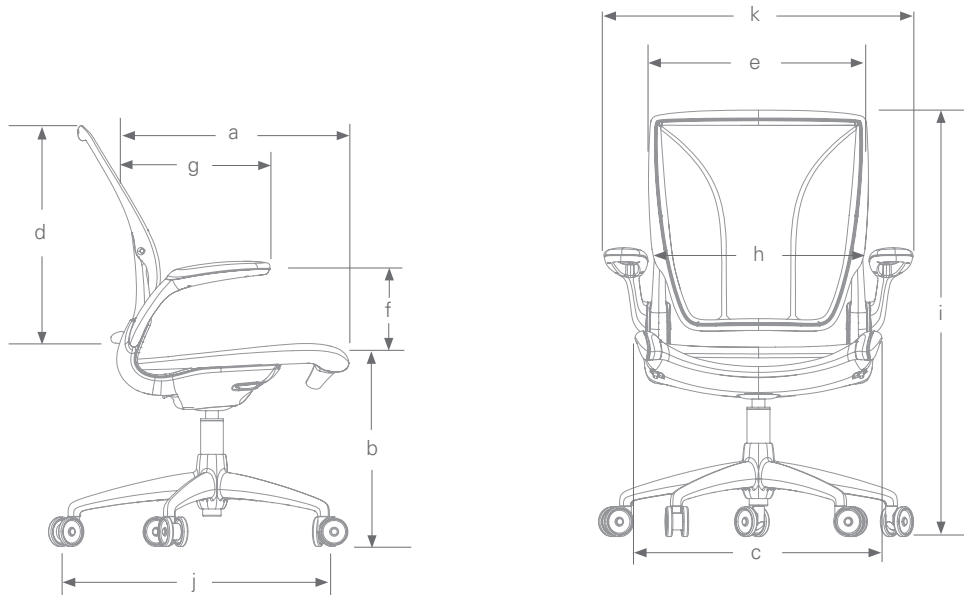
- Standard cylinder provides seat height range that accommodates 95% of users
- Optional low cylinder for small users
- Optional tall cylinder for very tall users
- Optional high cylinder with foot ring

CASTER OPTIONS

- Standard 3" (76mm) hard casters
- Optional non-rolling glides for fixed location use
- Optional soft casters for hard floors



DIFFRIENT WORLD Specifications



CODE	DESCRIPTION	MEASUREMENT
a	seat depth <i>(from face of lumbar to front of seat)</i>	15.70" - 18.25"
b	seat height <i>(from floor to compressed front center of seat cushion)</i>	15.63" - 20.75" standard chair 12.75" - 15.75" low chair 18.13" - 25.63" 8" high cylinder with 20" foot ring 20.75" - 30.75" 10" extra-high cylinder with 20" foot ring 14.75" - 17.38" 3" return to height cylinder 15.0" - 19.75" 5" return to height cylinder
c	seat width	20.20"
d	backrest height <i>(from seat cushion to top of backrest)</i>	22.5"
e	backrest width	16"
f	armrest height <i>(from compressed seat cushion to top of armrest)</i>	9.50" fixed 7.20" - 10.75" adjustable
g	armrest length <i>(from face of lumbar to front of armrest)</i>	8.40"
h	distance between armrests	18.75"
i	height	35.625" - 40.75" standard chair 32.75" - 35.75" low chair 38.125" - 45.625" 8" high cylinder with 18" foot ring 40.75" - 50.75" 10" extra-high cylinder with 21" foot ring 34.75" - 37.375" 3" return to height cylinder 35.0" - 39.75" 5" return to height cylinder
j	base diameter	25" (635mm)
k	chair width	25.75" (with arms) 21" (without arms)

SCOPE OF USERS
<ul style="list-style-type: none"> Conference/Task chair fits 95% of the office population <ul style="list-style-type: none"> 5'0" (152cm) Woman to 6'4" (193cm) Man 100 to 400 lbs. (45.4kg - 181kg) Users outside the standard height range can be accommodated by Low or Tall Cylinder
WEIGHT
<ul style="list-style-type: none"> 28 lbs. Conference/Task chair 24 lbs. Armless chair
TILT AND RECLINE
<ul style="list-style-type: none"> 17° recline plus 8° backrest tilt
REFERENCE ANGLE BETWEEN SEAT AND BACK
<ul style="list-style-type: none"> 97.7° to 114.3°



DIFFRIENT WORLD Build Your Product Code

COMPONENT	CODE	BASE MODEL PRICE	LIST \$1,281
LINE	W	Diffrient World Chair	-
STYLE	1	Conference/Task Chair	-
ARMRESTS	0	Armless	-
	6	Fixed Duron Arms	\$129
	7	Fixed Duron Arms with Matching Textile - <i>Available with textile covered seat only</i>	\$169
	1	Height Adjustable Duron Arms	\$275
	2	Height Adjustable Duron Arms with Matching Textile - <i>Available with textile covered seat only</i>	\$317
FRAME COLOR	B	Black	-
	W	White	\$33
	V	Gray	-
BACKREST MESH STYLE		See page 41 and textile Samples for mesh color options and codes	
BACKREST MESH COLOR		See page 41 and textile Samples for mesh color options and codes	
SEAT MESH/ TEXTILE STYLE		Mesh (A,N,J)	-
		Textile Grade 1 (FT,K,CF)	\$116
		Textile Grade 2 (F)	\$182
SEAT MESH/ TEXTILE COLOR		See pages 39 - 41 and textile samples for mesh color options and codes	
CYLINDER	—	Standard 5"	-
	A	3" Return to Height Cylinder	\$69
	E	5" Return to Height Cylinder	\$69
	L	Low 3.75"	\$42
	W	High 8" Cylinder w/ 20" Foot Ring	\$204
	Y	Extra-high 10" Cylinder w/ 20" Foot Ring	\$204
CASTERS/GLIDES	—	Standard Hard Casters	-
	S	Soft Casters	\$27
	G	Glides	\$35
FIREPROOFING	—	Standard Plastics and Foams	-
	C	CAL133 Label Applied to Underside of Chair	-
BASE	—	Standard	-
	A	Polished Aluminum Base	\$226
SHIPPING	—	Individually Boxed	-
	B	Blanket Wrapped - <i>See Terms and Conditions for minimum order requirements</i>	-

requires soft casters and glides

DIFFRIENT WORLD Options & Prices

REPLACEMENT PARTS	Code	CAL133 Available	Price	Textile 1	Textile 2
-------------------	------	------------------	-------	-----------	-----------

Seat Cushions					
Mesh Backrest	DWCB3422	C	\$239	N/A	N/A
Mesh Seat Cushion	DWCS3422	C	\$239	N/A	N/A
Textile-Covered Seat Cushion	DWCSM31222	C	N/A	\$342	\$378

Armrest Cushions					
Fixed Duron Arm Pads (Pair)	DWFD35	C	\$77		
Fixed Duron Arm Pads with Matching Textile Cover (Pair)*	DWFDM1222	C		\$111	\$148
Height Adjustable Duron Arm Pads (Pair)	DWAD35	C	\$77		
Height Adjustable Duron Arm Pads with Matching Textile Cover (Pair)*	DWADM1222	C		\$111	\$148

RETROFIT PARTS	Code	CAL133 Available	Price	Textile 1	Textile 2
Fixed Duron Arms (Pair)	DWKFD35	C	\$154		
Fixed Duron Arms with Matching Textile Cover (Pair)*	DWKFDM31222	C		\$188	\$222
Height-Adjustable Duron Arms (Pair)	DWKAD35	C	\$308		
Height-Adjustable Duron Arms with Matching Textile Cover (Pair)*	DWKADM31222	C		\$342	\$378

Any code containing a number refers to the component or textile that must be selected to order the replacement or retrofit part.

1 – Textile Code (pages 42-43) **2** – Cushion Color (pages 42-43) **3** – Frame Color (B, W, V)

4 – Mesh (M,C,A,N, J) **5** – Arm Pad Color (S,B)





SUMMA

Designed specifically with executive boardrooms and offices in mind, Summa's enveloping shape and sculpted materials converge for a truly harmonious design that exudes luxury in every detail. Utilizing only one discreet height adjustment lever, Summa features a weight-compensating recline mechanism and integrated armrests for exceptional ergonomic comfort and support.

SUMMA Features & Characteristics



Walnut Wood Finish



Ebony Wood Finish



Anegre Wood Finish

Features

- Built-in armrests attached to the back to move with the user, supporting the sitter in every posture
- Simple and discreet height-adjustment lever seamlessly integrated into the seat
- Sitter's own weight automatically sets the recline tension
- Chair back is available in three rich wood finishes or 7 upholstery options with matching box-stitching
- Supports users up to 300 lbs in weight and 6'4" in height
- Warranty: 10-year on components; 5-year on upholstery and wood

DESCRIPTION	MEASUREMENT	
	in	mm
Seat Depth (from face of lumbar to front of seat)	18	457.2
Seat Height (from floor to compressed front of seat cushion)	15.5 - 20.5	393.7 - 520.7
Seat Width	18.25	463.55
Backrest Height (from seat cushion to top of backrest)	20.75	527.05
Backrest Width	17.25	438.15
Armrest Height (from compressed seat cushion to top of armrest)	8	203.2
Armrest Length (from face of lumbar to front of armrest)	11	279.4
Distance Between Armrests	17.25	438.15
Height	36.25 - 41.25	920.75 - 1,047.75
Base Diameter	25.5	647.7
Chair Width	28	711.2
Chair Depth	25.5	647.7
Upholstered Chair Weight	43 lbs.	19.5 kg
Wood Chair Weight	46 lbs.	20.9 kg

SUMMA Build Your Product Code

			LIST PRICE	
COMPONENT	CODE	BASE MODEL PRICE	\$5,179	
STYLE	U1	Summa	-	
BACK SHELL	UL	Upholstered Leather <i>(Available in black powder coated aluminum or polished aluminum frame)</i>	\$1,412	
	WA	Anegre Wood <i>(Available in polished aluminum frame only)</i>	\$2,340	
	VVW	Walnut Wood <i>(Available in polished aluminum frame only)</i>	\$2,340	
	WE	Ebony Wood <i>(Available in polished aluminum frame only)</i>	\$2,340	
FRAME COLOR	B	Black with Black Trim	-	
	P	Polished Aluminum	\$448	
SEAT/BACK TEXTILE	ML	Maribo Leather	\$1,406	
TEXTILE COLOR	10	Carbon <i>(Matching Stitch - N)</i>	-	
	21	Espresso <i>(Matching Stitch - V)</i>	-	
	22	Teak <i>(Matching Stitch - A)</i>	-	
	12	Slate <i>(Matching Stitch - T)</i>	-	
	11	Stone <i>(Matching Stitch - N)</i>	-	
	31	Bone <i>(Matching Stitch - H)</i>	-	
	13	Frost <i>(Matching Stitch - W)</i>	-	
	23	Terra <i>(Matching Stitch - T)</i>	-	
BOX STITCHING <i>*Only Matching Box Stitching</i>	N	Noir	-	
	C	Coffee	-	
	M	Midnight	-	
	A	Cocoa	-	
	V	Vanilla	-	
	Y	Light Grey	-	
	W	White	-	
SEAT TYPE	-	Standard Seat Pan	-	
CYLINDER HEIGHT	-	Standard 5"	-	
CASTERS	H	Standard Casters	-	
	S	Soft Casters	\$40	
	K	Locking Casters	\$188	
FIRE PROOFING	-	Standard Plastics and Foams	-	
SHIPPING	-	Individually Boxed	-	

REPLACEMENT PART	CODE	LIST PRICE
Upholstered Seat Cushion	US11223	\$766
Back Shell	UBP11223	\$1,540
Upholstered Back Cushion	UB11223	\$1,818
WOODEN COMPONENTS		
Wood Back - Center Panel	UWB455	\$966
Wood Back - LH/RH Arm Panels	UWB455	\$765

* 1=Leather Option, 2= Leather Color, 3= Stitching Color, 4=Location (C for Center, A for Arms), 5=Wood Option



DIFFRIENT OCCASIONAL



Diffrient Occasional is a stackable multipurpose chair that is suitable for a variety of office and group settings. A strong, linear backrest made with proprietary non-stretch mesh creates a three-dimensional form — fitting the user like a perfectly tailored shirt. As with all of our mesh chairs, Occasional has a minimalist aesthetic and is supportive in all positions for long-term comfort.

- The lightweight chairs can be stacked up to five high for easy storage
- Long-lasting frame and durable urethane arms resist damage, even when moved and stacked
- Mesh pattern can be configured to match our Diffrient World task chair for a consistent aesthetic

Product Weight	21.5 lbs.
Product Height	36.68"
Product Width	23.23"
Product Depth	21.19"
Product Finishes	<i>Backrest Frame</i> - Black, Light Gray <i>Cantilever Base</i> - Black Powder Coat, Silver Powder Coat, Light Gray Powder Coat, Chrome 3

Build Your Product Code

COMPONENT	CODE	Base Model Price	Liberty		Smart		World	
			O1		O2		O3	
			LIST \$1,081		LIST \$1,081		LIST \$1,081	
Frame Color	B	Black with Black Trim	-		-		-	
	V	Silver with Gray Trim	-		N/A		-	
	D	Silver with Dark Gray Trim	N/A		-		N/A	
	T	Chrome 3 with Black Trim	\$124		\$124		N/A	
	C	Chrome 3 with Gray Trim	\$124		N/A		N/A	
	R	Chrome 3 with Dark Gray Trim	N/A		\$124		N/A	
Backrest Mesh	M	Monofilament	-		-		-	
	C	Silver Check	-		-		-	
	N	Pinstripe	-		-		-	
	A	Dash	-		-		-	
	J	Catena	-		-		-	
Mesh Color		See page 41 for mesh color options and codes						
Seat Textile		Textile Grade 1 (FT,K,CF)	\$33		\$33		\$33	
		Textile Grade 2 (F)	\$74		\$74		\$74	
		Leather Grade 1 (TL)	\$607		\$607		N/A	
		Leather Grade 3 (CL)	\$1,222		\$1,222		N/A	
Textile Color		See pages 39-41 and textile samples for color options and codes						
Fire Proofing	-	Standard Plastics & Foams	-		-		-	
	C	CAL133 compliant	\$68		\$68		\$68	
Shipping	-	Individually Boxed	-		-		-	
	B	Blanket Wrapped - <i>See Terms and Conditions for minimum order requirements</i>	-		-		-	

Replacement Parts

COMPONENT	CODE	TEXTILE GRADE 1	TEXTILE GRADE 2	LEATHER GRADE 1	LEATHER GRADE 3
SEAT CUSHION	OCC121222	\$229	\$271	\$691	\$1,372

MESH BACK	CODE	PRICE
Liberty Back	OCC1B3422	\$260
Smart Back	OCC2B3422	\$260
World Back	OCC3B3422	\$260

**Leather only available on Smart and Liberty back versions*

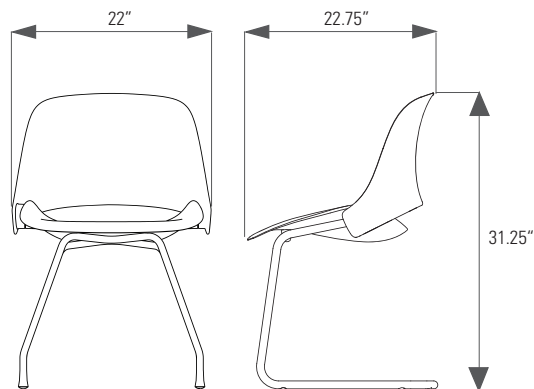
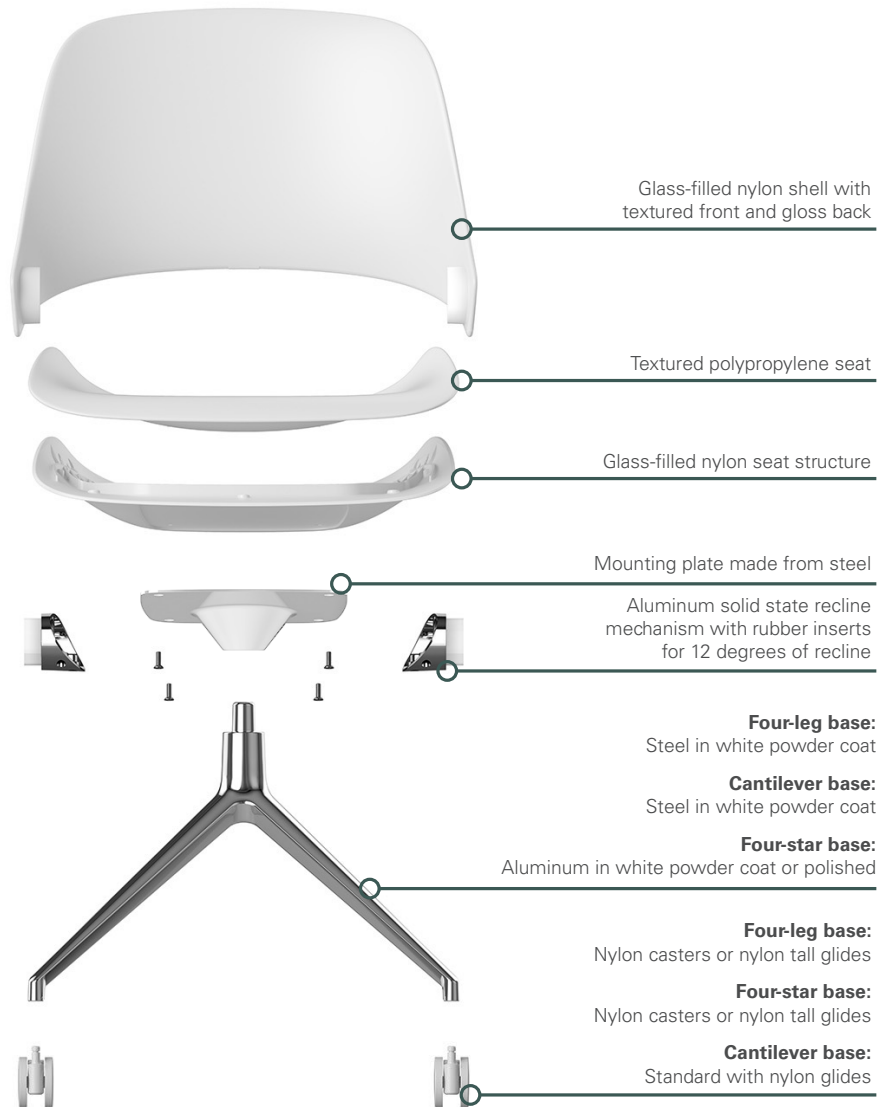


TREA

Created in collaboration with visionary designer Todd Bracher, Humanscale's Trea chair features a sophisticated design that embodies versatility. Engineered with an innovative solid state recline mechanism, Trea offers intuitive comfort, while its fresh yet classic aesthetic provides stylish support in office and home interiors. Available with a variety of base, finish and upholstery options, Trea can be customized for use in a variety of spaces.



TREA Features & Specifications



WEIGHTS
• 20 lbs. (Four-leg)
• 21.75 lbs. (Cantilever)
• 20.5 lbs. (Four-star)



TREA Build Your Product Code

COMPONENT	CODE		LIST PRICE	
LINE	T	Trea	-	
STYLE	10	Four Legs	\$877	
	20	Cantilever	\$1,019	
	30	Four Star	\$1,352	
FRAME FINISH	W	White powder coat - <i>Available with all base styles.</i>	-	
	P	Polished Aluminum - <i>Only available with Four Star Bases</i>	\$212	
BACKREST SHELL COLOR	W	White	-	
SEAT SHELL COLOR	W	White - <i>Only available with White Backrest Shell</i>	-	
SEAT PAD TEXTILE	-	No Seat Pad Selected	-	
		Textile Grade 1 (FT,CF)	\$176	
		Textile Grade 2 (F)	\$249	
		Leather Grade 1 (TL)	\$763	
		Leather Grade 3 (CL)	\$1,431	
SEAT PAD TEXTILE COLOR	---	No Seat Pad Selected	-	
		See pages 39-41 and textile samples for mesh color options and codes	-	
CASTERS	G	Glides - <i>Only available w/ Four Legs & Cantilever.</i>	-	
	C	Hard Casters	\$53	
	S	Soft Casters	\$62	
	K	Hard Breaking Casters	\$71	
	O	Soft Breaking Casters	\$79	
FIREPROOFING	-	None - Standard Plastics & Foams	-	

Replacement Parts

COMPONENT	CODE	TEXTILE GRADE 1	TEXTILE GRADE 2	LEATHER GRADE 1	LEATHER GRADE 3
SEAT CUSHION	TS1222	\$194	\$264	\$764	\$1,440





BALLO

A fun sitting solution, Ballo is a multipurpose stool that is ideal for a wide range of environments. Designed by Don Chadwick, it reinvents the exercise ball, with a design that is appropriate for workplace settings while offering easier storage. Promoting short-term, active sitting, Ballo also encourages low intensity physical activity and helps to reduce sedentary behavior.

BALLO Features & Specifications



AIR-FILLED TOP AND BOTTOM DOMES

- The top and bottom non-slip, dimpled air domes are made from a thermoplastic vulcanizate (TPV) material, rather than PVC that is the industry standard and can off-gas.

LIGHTWEIGHT

- Lightweight at just 13.5 pounds and with cleverly designed hand holds, Ballo can be easily moved from space to space.

HANDLE HOLDS

- Ballo comes with handle holds for easy portability.

CENTRAL COLUMN

- Ballo's cone and spool column made out of polypropylene

BODY FIT

- Air-filled, non-slip dimpled domes shape to the body and provide a comfortable sitting experience.

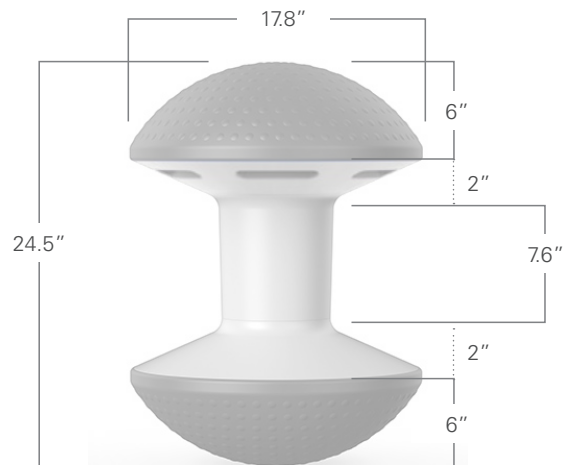
SAFE AND COMPACT

- Counterweighted base ensures Ballo remains upright for stable movement and convenient storage.

DURABLE AND ECO-FRIENDLY

- Ballo is made from eco-friendly, easy-clean and durable TPV materials which can be configured in various hues to add color to any space.
- Innovative spool-shaped central column is made from strong, long-lasting polypropylene and designed with clean lines to offer a modern aesthetic.

WEIGHT
• 13.5 lbs.
<i>NOTE: ALL DIMENSIONS MEASURED AT .35 PSI ON EACH DOME</i>



BALLO Build Your Product Code

COMPONENT	CODE	BASE MODEL PRICE	LIST	
LINE	B	Ballo	\$633	
STYLE	10	Standard	-	
DOME COLOR	B	Black	-	
	R	Red	-	
	G	Gray	-	
	E	Green	-	
	S	Sky Blue	-	
	U	Blue	-	
BODY COLOR	W	White	-	
FIREPROOFING	-	None	-	
SHIPPING	-	Individually Boxed	-	

REPLACEMENT PARTS	CODE	PRICE
Ballo Accessories		
Ballo Pump	BALLO_PUMP	\$22
Ballo Needle	BALLO_NEEDLE	\$2

----- A needle is included with each Ballo Pump





CINTO

Appropriate for a wide range of commercial and residential environments, Cinto sets a new standard for ergonomic stackable seating through unique design and manufacturing innovations. Spanish for “belt,” Cinto features a floating backrest that is attached to the chair’s frame via a flexible belt, allowing it to move with the body to provide recline and automatic lumbar support. For cool seated comfort, air vents on the backrest and seat pan enable air circulation.

CINTO Features & Specifications



BACKREST HANDLE

- Provides easy transport

FLEXIBLE BACKREST

- Attached to the chair's frame via a flexible belt, the floating backrest bends and adjusts with the sitter
- Flexibility of backrest creates virtual pivot point for automatic lumbar support
- No adjustments required

ARMREST OPTIONS

- Armless
- Fixed arms

VENTED SEAT PAN AND BACKREST

- Promotes air circulation and prevents "hot spots"

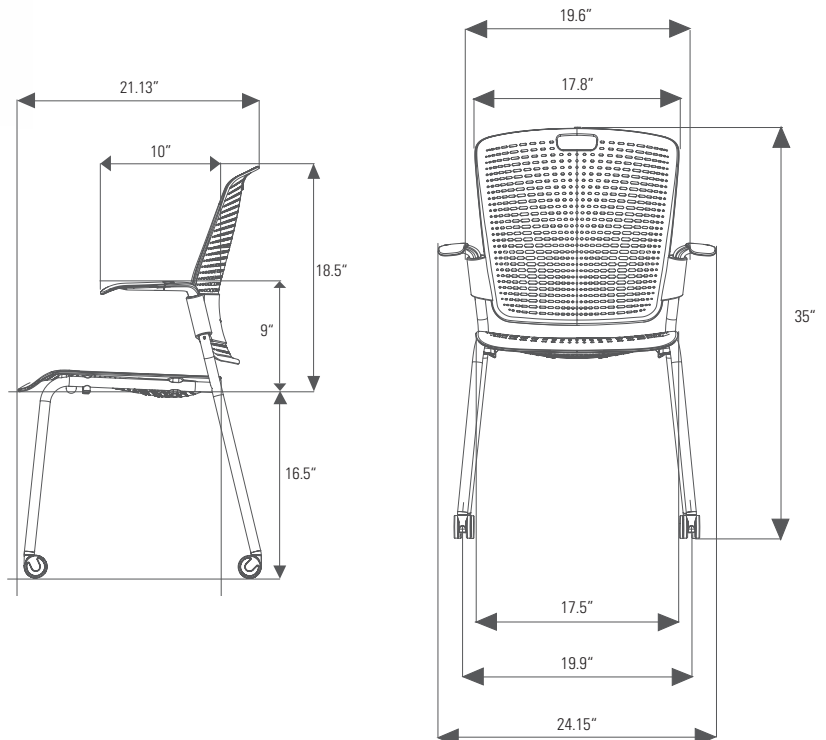
STACKABILITY

- Freestanding Cintos stack six chairs high
- Up to 15 chairs can be stacked on the optional Cinto Dolly

BASE OPTIONS

- Four legs on glides
- Four legs on casters

WEIGHT
<ul style="list-style-type: none"> • 9 lbs. Armless chair • 10 lbs. Fixed-Arm chair
CINTO DOLLY EMPTY
<ul style="list-style-type: none"> • Height 44" • Depth 41" • Width 26"
CINTO DOLLY FULLY STACKED WITH 15 CHAIRS
<ul style="list-style-type: none"> • Height 67" • Depth 41" • Width 26"
WEIGHT CAPACITY
<ul style="list-style-type: none"> • 300 lbs



CINTO Build Your Product Code

COMPONENT	CODE	BASE MODEL PRICE	LIST	
LINE	C	Cinto	\$366	
STYLE	1	Four Legs, Glides	-	
	2	Four Legs, Casters	\$50	
ARMRESTS	0	Armless	-	
	5	Fixed Arms	\$87	
FRAME COLOR	S	Silver	-	
	B	Black	-	
BACKREST, SEAT PAN COLOR	01	White - <i>Not available with CAL 133 Approval</i>	-	
	10	Black	-	
	15	Gray	-	
	17	Taupe	-	
	18	Light Gray - <i>Not available with CAL 133 Approval</i>	-	
	33	Yellow	-	
	41	Green - <i>Not available with CAL 133 Approval</i>	-	
	52	Light Blue - <i>Not available with CAL 133 Approval</i>	-	
	53	Blue	-	
	72	Red - <i>Not available with CAL 133 Approval</i>	-	
OPTIONAL SEAT PAD	—	No seat pad	-	
	FT10	Fourtis Black	\$68	
	FT12	Fourtis Granite	\$68	
	FT56	Fourtis Nimbus	\$68	
	FT68	Fourtis Hyacinth	\$68	
FIREPROOFING	—	Standard Plastics	-	
	C	CAL 133-Approved	\$34	

PARTS & ACCESSORIES

	Code	CAL133 Available	Price
Replacement Parts			
Seat Pan	CRS 11		\$80
Seat Pan, CAL 133-Approved	CRS 11	C	\$95
Seat Pad*	CRP 4555		\$68
Casters (Black, Set of 4)	CRCAST		\$49
Glides (Set of 4)	CRGLIDE2		\$18
Arm Sleeves (Pair)	CRA3		\$41
Retrofit Armrest Kit (Pair)	CKA23		\$120

Accessories			
Cinto Dolly	CINTODLY		\$369

Any code containing a number refers to the component or textile that must be selected to order the replacement or retrofit part.
 1- Backrest, Seatpan Color; 2 - Frame Color (S-Silver, B-Black); 3 - Trim Color (G-Gray, B-Black); 4 Textile Code (pages 41-42) 5 – Textile Color (pages 41-42)

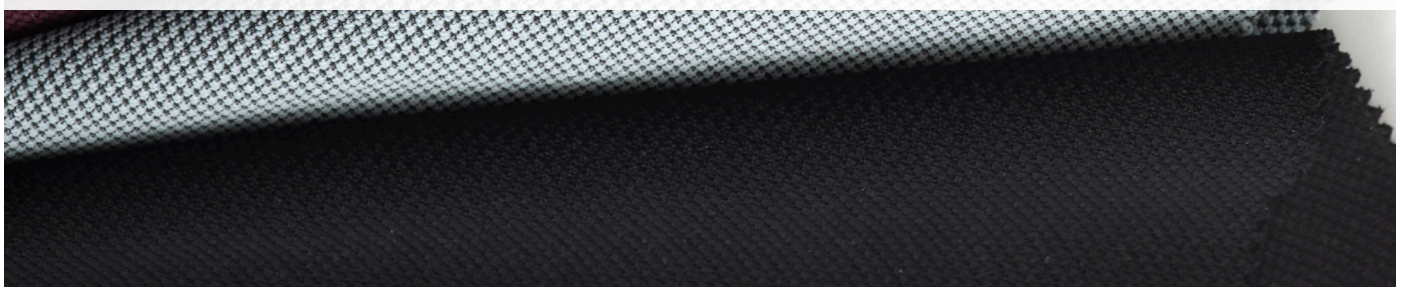
*Seat Pad not available with CAL133






Textiles

The cushions on all Humanscale chairs utilize advanced technology developed primarily for the sportswear and sporting goods industries. In a single step, a high-tech molding process combines the textile, foam or Technogel®, and plastic support shell into a single, modular unit which can be attached to our seating with four screws. Because of this advanced process, the textiles used on the cushions are as unique as the rest of the chair, and satisfy requirements more demanding than typical upholstery textiles.



TEXTILES

*Living Product Challenge Approved 

LOTUS*		Code	Color
Textile Code: K	Textile Grade: 1	101	Black
Water repellent and easy to clean, Lotus is an ideal textile for the healthcare and hospitality environments. Its polyurethane finish with nylon backing boasts a soft texture that is pleasant to the touch while offering exceptional durability.		128	White
		158	Shale
		182	Hematite
		2C4	Umber
		281	Walnut
		302	Ochre
		459	Verdant
		507	Navy
		603	Plum
		608	Crocus
		624	Eggplant
		757	Earth Red
758	Lucky Red		

FOURTIS*		Code	Color
Textile Code: FT	Textile Grade: 1	10	Black
Fourtis is a four-way stretch fabric that easily conforms to our cushions for the ultimate in comfort and flexibility. While still adjustable, its satin crepe weave structure is highly durable and creates a strong, high-performance fabric.		12	Granite
		16	Ash
		44	Alaria
		49	Clover
		56	Nimbus
		57	Navy
		63	Boysenberry
		68	Hyacinth
		78	Winterberry

FormSense Eco Knit*		Code	Color
Textile Code: KT		10	Soft Black
Exclusively created for our Path chair, Revital is our FormSense Eco Knit™ that is made of 100% post-consumer recycled polyester. Derived from upcycled plastic bottles, this textile utilizes 3D knit technology that individually controls each stitch, creating intricate and systematic patterns with targeted zones of tension. This allows the material to fit the contours of the body, providing self-adjusting lumbar support that is tailored to fit every user.		11	Graphite
		12	Storm
		13	Vapor
		40	Peacock
		41	Moss
		42	Evergreen
		50	Midnight
		71	Wine
		73	Terracotta

GINKGO		Code	Color
Textile Code: F	Textile Grade: 2	101	Black
Composed of 90% Wool, Ginkgo offers a pleasing texture and durability. Its subtle and elegant pattern makes this textile appropriate for a variety of environments. Ginkgo comes in vibrant and saturated colors, expanding the scope of Human-scale's upholstery line.		197	Charcoal
		281	Walnut
		315	Wheat
		463	Green
		507	Navy
		556	Storm
		568	Horizon
		816	Harvest Orange

CORDE 4*		Code	Color
Textile Code: CF	Textile Grade: 1	10	Black
Corde 4 is a four-way stretch design which moves with the sitter as they adjust positions in their chair, providing ultimate comfort. Its intricate weave structure, dimensional surface and wide array of neutral and vibrant shades are visually appealing and engaging to the touch.		12	Graphite
		21	Dark Brown
		22	Driftwood
		43	Balsam
		45	Peacock
		52	Thalo
		56	Medium Gray
		57	Navy
		58	Azure
		62	Deep Violet
		78	Parma Red
		86	Pumpkin



LEATHERS

NOTE: Only matching stitch or contrast stitch options may be selected with each leather color

Ticino	Code	Color	Matching Stitch Code	Contrast Stitch Code
Textile Code: TL Leather Grade: 1	10	Obsidian	N	B, R, V
Ticino is a semi-aniline dyed leather available in a variety of rich colors inspired by nature. It is a top, corrected grain leather to create a more natural aesthetic and ensure the leather remains as unique as the hide itself.	11	Pebble	Y	–
	12	Charcoal	M	Y
	13	Glacier	W	–
	21	Umber	A	–
	22	Canyon	C	–
	31	Sand	V	–


Corvara	Code	Color	Matching Stitch Code	Contrast Stitch Code
Textile Code: CL Leather Grade: 3	10	Onyx	N	B, R, V
Corvara is a semi-aniline dyed leather that offers a smooth, silky feel and ultimate durability. It is a top, full grain leather that is embossed lightly for a consistent, uniform grain structure.	11	Mineral	V	–
	21	Java	A	–
	23	Saddle	T	–
	57	Midnight	N	Y
	71	Jasper	H	–

Maribo	Code	Color	Matching Stitch Code
Textile Code: ML Leather Grade: 1	ML10	Carbon	N
Maribo, a soft and pliable semi-aniline leather, created to provide unbeatable comfort and durability while keeping an elegant quality to the leather.	ML21	Espresso	V
	ML22	Teak	A
	ML12	Slate	T
	ML11	Stone	N
	ML31	Bone	H
	ML13	Frost	W
	ML23	Terra	T

Leather Stitching Options	Code	Color
Choose a stitch color to match or contrast your choice of leather.	V	Vanilla
	M	Midnight
	N	Noir
	C	Coffee
	Y	Light Grey
	W	White
	T	Tan
	A	Cocoa
	H	Cherry
	B	Blue
	R	Red



MESH

All Mesh Options are Living Product Challenge Approved 

MONOFILAMENT STRIPE	Code	Color
Mesh Code: M	10	Black
Using only monofilament yarns that are thin and strong, a simple but classic stripe pattern is achieved through weave structure and yarn placement. This pattern has slight elasticity but terrific memory.	11	Carbon
	14	Platinum
	41	Green
	51	Atlantic
	81	Amber

SILVER CHECK	Code	Color
Mesh Code: C	12	Alloy
This unique translucent pattern is achieved using monofilament and a silver-plated yarn spun with polyester at its core. More than simply an aesthetic choice, the silver-plated yarn gives the textile flexibility and strength.	32	Topaz

PINSTRIPLE	Code	Color
Mesh Code: N	01	White
Designed specifically to work with the Diffrient World Chair, this lightweight fabric provides the strength and support of a much heavier mesh by using two different monofilament stretch yarns to provide proper support.	02	Silver
	03	Graphite
	10	Black
	34	Cadmium Yellow
	43	Citron
	58	Cyan
	74	Crimson

TEXTILE PURCHASE PROGRAM

All Humanscale textiles (with the exception of Leather) are available for purchase by the linear yard. The prices below are net (standard discounts do not apply). A \$20 cut charge will apply to each order. Please see your Humanscale representative for more information.

Monofilament Stripe	\$90/yd (50" width)
Silver Check	\$105/yd (53" width)
Lotus	\$54/yd (54" width)
Ginkgo	\$113/yd (51" width)
Dash	\$113/yd (48" width)
Pinstripe	\$98/yd (48" width)
Catena	\$90/yd (52" width)
Corde 4	\$65/yd (50" width)
Fourtis	\$60/yd (50" width)

CATENA	Code	Color
Mesh Code: J	10	Black
Catena's dense and rich hues are inspired by the vibrant spice markets of India. When used as a backrest textile, this proprietary non-stretch mesh provides a customized lumbar support through its tri-panel patented design that fits the user like a tailored shirt.	35	Bayberry
	50	Cornflower
	1A	Poppy Seed
	1B	Caraway

DASH	Code	Color
Mesh Code: A	14	Platinum
Designed to resemble embroidery floss, Dash is stronger, more responsive, lighter weight and uses less material than most mesh textiles. It gives the user support, comfort and ease of movement, while meeting Humanscale's seating requirements.	19	Zinc

CUSTOM COLORS

Textiles:

Most Humanscale textiles are available in any customer-specified color. Delivery time frames for custom color orders will depend on color approval. A surcharge of \$50 per chair will apply to custom color orders. The minimum order quantity for these fabrics are as follows:

Lotus, Ginkgo:

Freedom Task + Headrest	200 chairs
Liberty Task	400 chairs
Diffrient Smart	400 chairs
Freedom Saddle	400 chairs
Freedom Pony Saddle	600 chairs

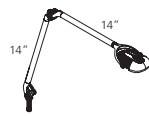




Lighting

Task lighting is an integral part of the ergonomic workstation, and each of Humanscale's task lights provides exceptional levels of bright, comfortable light. Yielding both ergonomic and economic benefits, Humanscale's comprehensive lighting line fits any needs, whether you desire performance, efficiency, ease of use, or all of the above.

Build Your Element™ LED Light Product Code



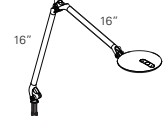
790



VISION



DISC



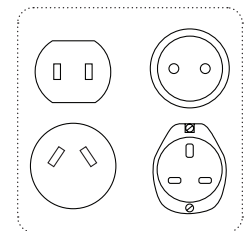
DISC XL

COMPONENT	CODE		LIST		LIST		LIST		LIST
STYLE	ED	Element 790 5-Watt Hi-Output MCX LED with Smart Dimmer	\$523						
	EV	Element Vision: 7-Watt Hi-Output MCX LED with Smart Dimmer and Occupancy Sensor			\$617				
	EC	Element Disc: 7-Watt Thin Film LED Technology with Smart Dimmer and Occupancy Sensor					\$858		
	EX	Element Disc XL: Extended Arms, 7-Watt Thin Film LED Technology with Smart Dimmer and Occupancy Sensor							\$913
PLUG	E	North America	-		-		-		-
	U	Universal (4 interchangeable plugs)	\$6		\$6		\$6		\$6
	G	6-15P NEMA (specialty)	N/A		N/A		N/A		N/A
MOUNT (See next page for mount specifications)	C	Clamp	-		-		-		-
	G	Clamp with Grommet Cover	\$16		\$16		\$16		\$16
	T	2-Piece Clamp with Theft Deterrent	\$56		\$56		\$56		\$56
	PA	Panel Mount - Herman Miller Action Office	\$40		\$40		\$40		\$40
	PR	Panel Mount - Herman Miller Resolve	\$40		\$40		\$40		\$40
	PI	Panel Mount - Teknion IE	\$40		\$40		\$40		\$40
	U	Universal Panel Mount	\$40		\$40		\$40		\$40
	Y	Element Tech Base (2 - 120V outlets)	\$227		\$227		\$227		\$227
	X	Element Tech Base (2 USB + 1 120V)	\$219		\$219		\$219		\$219
	E	Steelcase C-Scape Mount Kit	\$46		\$40		\$40		\$40
	W	Wall Mount	-		-		-		-
	A	Humanscale Access Rail	-		-		-		-
	B	Element Desktop Base	\$81		\$81		\$81		\$81
	R	Direct with Theft Deterrent	\$40		\$40		\$40		\$40
S	Universal Slatwall	-		-		-		-	
COLOR	S	Silver (semi-matte)	-		-		-		-
	W	Arctic White (high gloss)	-		-		-		-
	B	Jet Black (semi-matte)	\$40		\$40		\$40		\$40
OPTIONAL ACCESSORIES	Q	Extension Cord 10' (300 cm)	\$15		\$15		\$16		\$15
	H	External Power Switch, North America	\$21		\$21		\$22		\$21

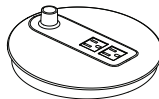
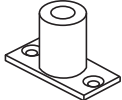
ELEMENT LIGHT REPLACEMENT PARTS (if purchased separately)

Element Desktop Base	ELBS (silver) ELBW (white) ELBB (black)	\$123	Direct with Theft Deterrent	ELRS (silver) ELRB (black) ELRW (white)	\$87
Element Tech Base (1 USB + 1-120V outlet)	ELXW (white) ELXB (black) ELXS (silver)	\$266	Universal Panel Mount	ELUS (silver) ELUB (black) ELUW (white)	\$50
Element Tech Base (2-120V outlets)	ELYW (white) ELYB (black) ELYS (silver)	\$319	Panel Mount (1): Panel System Code, (2): Color (B or S)	EL(1 1 2)	\$87
Humanscale Access Rail	ELAS (silver) ELAB (black)	\$50	Steelcase C-Scape Mount Kit	ELES	\$87
Clamp	ELCS (silver) ELCW (white) ELCB (black)	\$50	Extension Cord 10' (300 cm)	ELCORD10	\$27
2-Piece Clamp with Theft Deterrent	ELTS (silver), ELTB (black) ELTW (white)	\$109	External Power Switch	ELSWITCH	\$31
Wall	ELWS (silver) ELWB (black)	\$50	Grommet Cover For use with Clamp Mount C	ELGC (black)	\$15
			North American Plug Set	ELPLUGE	\$50
			Universal Plug Set	ELPLUGU	\$73
			6-15P NEMA Plug Set	ELPLUGG	N/A
			Universal Slatwall	ELSS (silver) ELSB (black) ELSW (white)	\$66

NOTE:
Element Classic EL light is available by special order only.



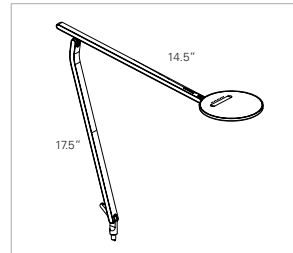
ELEMENT LIGHT MOUNT OPTIONS

		
<p>B Element Desktop Base 8" (200 mm) diameter</p>	<p>Y Element Tech Base (2-120V convenience outlets) 8" (200 mm) diameter. Two three-pronged outlets. 8 Amps maximum total load.</p>	<p>X Element Tech Base (2 USB + 1-120V convenience outlet) 8" (200 mm) diameter. One USB port and one three-pronged outlet. 8 Amps maximum total load.</p>
		
<p>C Clamp For grommet or edge mount. Fits surfaces up to 2" (50 mm) thick and grommet holes 2" (50 mm) wide.</p>	<p>G Clamp with Grommet Cover For grommet holes 2" – 3.25" (50-80 mm) in diameter. Grommet cover ships Black.</p>	<p>T 2-Piece Clamp with Theft Deterrent Requires minimum 1/4" (6 mm) clearance between desk and wall or panel. (Replaces Mount "K")</p>
		
<p>A Humanscale Access Rail</p>	<p>R Direct with Theft Deterrent Screws into horizontal surface. (Replaces Mount "D")</p>	<p>S Universal Slatwall Adjusts to fit most standard slatwalls.</p>
		
<p>U Universal Panel Mount Adjusts to fit most panels that use vertical slotted rails for mounting accessories. Not compatible with corner applications.</p>	<p>E Steelcase C-Scape Mount Kit Ships Silver for all orders.</p>	<p>W Wall Screws into vertical surface.</p>
		
<p>PA Panel Mount for Herman Miller Action Office</p>	<p>PR Panel Mount for Herman Miller Resolve</p>	<p>PI Panel Mount for Teknion IE</p>

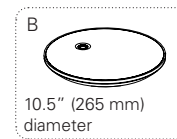
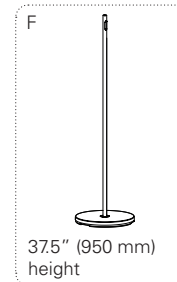
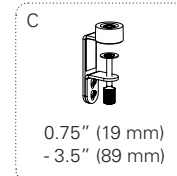
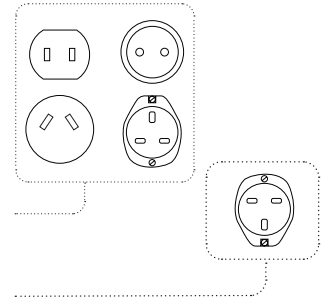
NOTE: The above systems are special and do not work with the Universal Panel Mount (U). Not compatible with corner mount applications.

Color Note: All Silver lights ship with Silver mounts. All Black lights ship with Black mounts. All White lights ship with White mounts, except panel mounts (PA, PR, PI), Access Rail (A), and wall mounts (W), which ship Silver.





COMPONENT	CODE	DESCRIPTION	LIST PRICE
LINE	NF	Infinity Task Light: 8-Watt LED Technology with Smart Dimmer and Occupancy Sensor	\$914
VERSION	3	3000K	-
PLUG	E	North America	-
	U	Universal (4 blades)	\$6
	A	South Africa (Universal set plus additional blade)	N/A
	G	6-15P NEMA (specialty)	\$16
	N	No Plug Set	-
MOUNT	B	Desktop Base	\$155
	F	Floor Stand	\$309
	C	Clamp	-
	W	Wall	-
	S	Universal Slatwall	N/A
COLOR <i>Desktop Base, Floor Stand and Clamp Mount ship in matching colors to light. Wall Mount and Universal Slatwall ship in polished aluminum only.</i>	B	Ash Black, Semi-Matte	-
	W	Linen White, Semi-Matte	-
	L	Slate Blue, Semi-Matte	-



Infinity Accessories

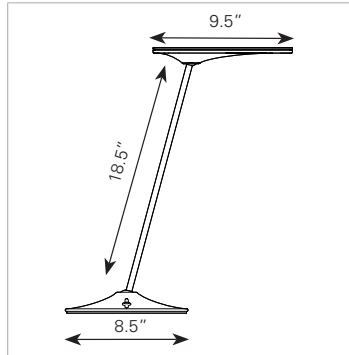
CODE	DESCRIPTION	LIST PRICE
INCABLE	Power cord extension for Infinity Floor Lamp, 3.3 ft (1m)	\$16

Infinity Replacement Parts (if purchased seperately)

CODE	DESCRIPTION	LIST PRICE
NFBB	Infinity Desktop Base, Ash Black	\$162
NFBW	Infinity Desktop Base, Linen White	\$162
NFBL	Infinity Desktop Base, Slate Blue	\$162
NFCB	Infinity Clamp, Adjustable, Ash Black	\$81
NFCW	Infinity Clamp, Adjustable, Linen White	\$81
NFCL	Infinity Clamp, Adjustable, Slate Blue	\$81
NFFB	Infinity Floor Stand, Ash Black	\$323
NFFW	Infinity Floor Stand, Linen White	\$323
NFFL	Infinity Floor Stand, Slate Blue	\$323
NFWP	Infinity Wall Mount, Natural	\$81
NFSP	Infinity Universal Slatwall, Natural	\$81
PLUGE	PS2475NA Light Power Suply 24V .75A US CAN	\$51



HORIZON 2.0 Build Your Product Code



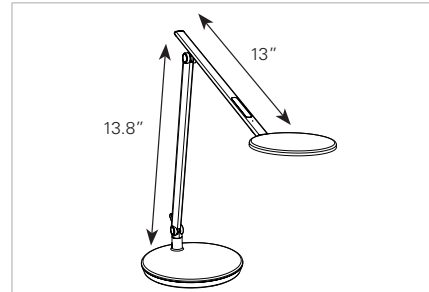
COMPONENT	CODE		LIST	
STYLE	H2B	Horizon 2.0 Light	\$745	
PLUG	E	North America	-	
	U	Universal (4 interchangeable plugs)	\$6	
	G	6-15P NEMA (specialty)	N/A	
COLOR	L	Twilight Blue (high gloss)	-	
	Z	Bronze Gold (semi-matte)	-	
	K	Morning Pink (light pink) (high gloss)	-	
	B	Jet Black (semi-matte)	-	
	W	Artic White (high gloss)	-	
	S	Silver (semi-matte)	-	



GENERAL LIGHTING ACCESSORIES	
OCCUPANCY SENSOR POWER STRIP	
	OCCSTRIP \$323
8-outlet power strip with energy-saving personal occupancy sensor	
PLUGE	
PS2475NA Light Power Suply 24V .75A US CAN	\$51

NOTE:
For all other mount styles (non-base), see Element Light Replacement Parts on the previous page.

NOVA Build Your Product Code



COMPONENT	CODE		LIST	
STYLE	NV	Nova Task Light	\$772	
	NX	Nova Task Light with Extended Arms	\$821	
COLOR TEMPERATURE	3	3000 K	-	
	4	4000 K (not available with "NX" Extended Arms)	\$16	
PLUG	E	North America	-	
MOUNT	C	Clamp	-	
	Y	Charging Desktop Base	\$244	
	Q	Wireless Charging Desktop Base	\$349	
	B	Desktop Base	\$75	
	S	Universal Slatwall	-	
	W	Wall Mount	-	
COLOR	G	Light Grey, Matte	-	
	B	Jet Black, Matte	-	
	W	Arctic White	-	

Nova Replacement Parts (if purchased separately)

CODE	DESCRIPTION	LIST PRICE
NVYB	Nova Charging Desktop Base, Jet Black	\$263
NVYG	Nova Charging Desktop Base, Light Gray	\$263
NVYW	Nova Charging Desktop Base, Arctic White	\$263
NVQB	Nova Wireless Charging DT Base NA, Black	\$349
NVQG	Nova Wireless Charging DT Base NA, Gray	\$349
NVQW	Nova Wireless Charging DT Base NA, White	\$349
NVBB	Nova Desktop Base, Jet Black	\$138
NVBW	Nova Desktop Base, Arctic White	\$138
NVBG	Nova Desktop Base, Light Gray	\$138
NVCB	Nova Clamp Mount, Jet Black	\$56
NVCW	Nova Clamp Mount, Arctic White	\$56
NVCG	Nova Clamp Mount, Light Gray	\$56
NVWB	Nova Wall Mount, Jet Black	\$56
NVWW	Nova Wall Mount, Arctic White	\$56
NVWG	Nova Wall Mount, Light Gray	\$56
NVSB	Nova Slatwall Mount, Jet Black	\$56
NVSW	Nova Slatwall Mount, Arctic White	\$56
NVSG	Nova Slatwall Mount, Light Gray	\$56
PLUGE	PS2475NA Light Power Suply 24V .75A US CAN	\$51





M2.1 / M8.1 / M10 Monitor Arms

In today's fast-paced, fully connected digital world, there's no time for discomfort. Humanscale's next generation monitor arm line instantly personalizes any workspace for improved comfort, health and productivity.

Designed for unprecedented adaptability in the agile workspace, our monitor arms focus on sustainability and the use of technology, while featuring ultra-sleek aesthetics and a reduced cost of ownership.



M2.1 / M8.1 / M10 Build Your Product Code

			M2.1		M8.1		M10	
COMPONENT	CODE		LIST		LIST		LIST	
PRODUCT GROUP	M21	M2.1 Monitor Arm	-		-		-	
	M81	M8.1 Monitor Arm	-		-		-	
	M10	M10 Monitor Arm	-		-		-	
MOUNT see additional Mount codes on the following pages <i>*12" Links and Triple Links are not permitted with M10 when a technology base is selected</i>	NM	No Mount	-		-		-	
	CM	Two-Piece Clamp Mount with Base	\$158		\$200		\$200	
	BT	Bolt-Thru Mount with Base	\$92		\$147		\$147	
	SM	Universal Slatwall Mount	\$147		\$173		\$173	
	HM	Direct Hardwall Mount	\$147		\$173		\$173	
	DM	Combo Mount – Clamp & Bolt-Through	\$213		\$251		\$251	
	TC	M/Power with Standard Clamp Mount	\$419		\$419		N/A	
	AC	M/Connect 2- 100W with Standard Clamp Mount	\$1,144		\$1,144		N/A	
COLOR	S	Silver with Gray Trim	-		-		-	
	W	Polished Aluminum with White Trim	-		-		-	
	B	Black with Black Trim	-		-		-	
Arm Style Step 1 Link Selection <i>See additional Link codes on the following pages</i> <i>Ships unassembled, link order not a factor</i>	N	No Arm Link	-		-		-	
	D	Dynamic Link	\$226		\$383		\$473	
	B	Angled Link/Dynamic Link	\$298		\$530		\$618	
	C	4" Straight Link/Dynamic Link	\$292		\$557		\$645	
	E	8" Straight Link/Dynamic Link	\$305		\$583		\$672	
	F	12" Straight Link/Dynamic Link	\$331		\$609		\$697	
	G	4" Straight Link/8" Straight Link	\$147		\$345		\$345	
	H	4" Straight Link/12" Straight Link	\$173		\$371		\$371	
	J	8" Straight Link/8" Straight Link	\$158		\$371		\$371	
	K	8" Straight Link/12" Straight Link	\$184		\$397		\$397	
	L	12" Straight Link/12" Straight Link	\$213		\$423		\$423	
	M	4" Straight Link/Angled Link/Dynamic Link	\$365		\$689		\$776	
	P	4" Straight Link/8" Straight Link/Dynamic Link	\$371		\$742		\$830	
	Q	4" Straight Link/12" Straight Link/Dynamic Link	\$397		\$717		\$856	
R	4" Straight Link/8" Straight Link/12" Straight Link	\$251		\$557		\$557		
Arm Style Step 2 End Style Selection <i>*Sliders and Crossbars only available in Silver and Black.</i>	N	No End (Only available with No Arm Link)	-		-		-	
	T	Standard Monitor Tilt (one per monitor)	\$92		\$131		\$131	
	S	Slider For Single Monitor	\$211		\$211		\$331	
	2	Crossbar for 2 monitors	N/A		\$371		\$371	
	H	Crossbar for 2 monitors, with Handle	N/A		\$504		\$504	
	3	Crossbar for 3 monitors	N/A		N/A		\$547	
L	Crossbar for 3 monitors, with Handle	N/A		N/A		\$679		



M2.1 / M8.1 / M10 (cont.)

COMPONENT	CODE		M2.1		M8.1		M10		
			LIST		LIST		LIST		
Arm Style Step 3 VESA Bracket Selection	N	No VESA Plate	-		-		-		
	G	Standard 100mm x 100mm, gray	-		-		-		
	B	Standard 100mm x 100mm, black	-		-		-		
	W	Standard 100mm x 100mm, white	-		-		-		
	Y	100mm x 200mm, gray	\$40		\$40		\$40		
	K	100mm x 200mm, black	\$40		\$40		\$40		
	J	200mm x 200mm, black	\$56		\$56		\$56		
	D	Dell QA VESA Plate, black	\$40		\$40		\$40		
	R	Dell QA VESA Plate, gray	\$40		\$40		\$40		
	O	Offset VESA Plate, black	\$40		\$40		\$40		
	S	Offset VESA Plate, gray	\$40		\$40		\$40		
	A	Adapter Bracket, black	\$40		\$40		\$40		
	Z	Adapter Bracket, gray	\$40		\$40		\$40		
	*178 mm (7") max height 10-32 mm (0.4" – 1.25") thickness range	H	Single Monitor Handle On Accessories Bracket, Black	\$167		\$167		\$167	
		E	Single Monitor Handle On Accessories Bracket, Gray	\$167		\$167		\$167	
M		Medium* Thin Client Holder, Black	N/A		\$158		\$158		
** 202 mm (7.95") max height 40-50 mm (1.6" – 1.95") thickness range	T	Medium* Thin Client Holder, Gray	N/A		\$158		\$158		
	L	Large** Thin Client Holder, Black	N/A		\$167		\$167		
	C	Large** Thin Client Holder, Gray	N/A		\$167		\$167		
POWER CORD PLUG STYLE	NA	North America	-		-		-		
	EU	Europe	-		-		-		
	UK	United Kingdom	-		-		-		
	AU	Australia	-		-		-		
	SP	Singapore	-		-		-		
	CH	China	-		-		-		
	HK	Hong Kong	-		-		-		
	ID	Indonesia	-		-		-		
	NZ	New Zealand	-		-		-		
	MX	Mexico	-		-		-		
	JP	Japan	-		-		-		
	SK	South Korea	-		-		-		

Available with both
M/Connect and **M/Power**

Only available with **M/Connect**



M2.1 / M8.1 / M10 / Additional Mounts

COMPONENT	CODE		M2.1		M8.1		M10	
			LIST		LIST		LIST	
Additional Mounts	F1	Frame One Mount	\$158		\$158		\$158	
<i>*12" Links and Triple Links are not permitted with M10 when a technology base is selected</i>	CS	c:scape Mount	\$158		\$158		\$158	
	C2	Sliding Desk Clamp Mount, 12mm	\$158		\$200		\$200	
	C8	Sliding Desk Clamp Mount, 18mm	\$158		\$200		\$200	
	C5	Sliding Desk Clamp Mount, 25mm	\$158		\$200		\$200	
	C0	Sliding Desk Clamp Mount, 30mm	\$158		\$200		\$200	
	T2	M/Power with Sliding Desk Clamp Mount, 12mm	\$419		\$419		N/A	
	T8	M/Power with Sliding Desk Clamp Mount, 18mm	\$419		\$419		N/A	
	T5	M/Power with Sliding Desk Clamp Mount, 25mm	\$419		\$419		N/A	
	T0	M/Power with Sliding Desk Clamp Mount, 30mm	\$419		\$419		N/A	
	TB	M/Power with Bolt-Thru Mount	\$419		\$419		N/A	
	A2	M/Connect 2 - 100W with Sliding Desk Clamp Mount, 12mm	\$1,144		\$1,144		N/A	
	A8	M/Connect 2 - 100W with Sliding Desk Clamp Mount, 18mm	\$1,144		\$1,144		N/A	
	A5	M/Connect 2 - 100W with Sliding Desk Clamp Mount, 25mm	\$1,144		\$1,144		N/A	
	A0	M/Connect 2 - 100W with Sliding Desk Clamp Mount, 30mm	\$1,144		\$1,144		N/A	
	AB	M/Connect 2 - 100W with Bolt-Thru Mount	\$1,144		\$1,144		N/A	

M2.1 / M8.1 / M10 / Additional Arm Styles

COMPONENT	CODE		M2.1		M8.1		M10	
			LIST		LIST		LIST	
Additional Arm Styles	4	4" Straight Link	\$66		\$158		\$158	
Arm Style Step 1	8	8" Straight Link	\$80		\$184		\$184	
	1	12" Straight Link	\$106		\$213		\$213	
	S	Angled Link/4" Straight Link	\$14		\$305		\$305	
	T	Angled Link/8" Straight Link	\$152		\$331		\$331	
	U	Angled Link/12" Straight Link	\$179		\$357		\$357	
	V	4" Straight Link/4" Straight Link	\$131		\$318		\$318	
	W	Angled Link/4" Straight Link/4" Straight Link	\$205		\$465		\$465	
	Y	Angled Link/8" Straight Link/4" Straight Link	\$218		\$490		\$490	
	Z	Angled Link/12" Straight Link/4" Straight Link	\$245		\$517		\$517	
	2	4" Straight Link/4" Straight Link/Dynamic Link	\$357		\$715		\$803	
	3	4" Straight Link/4" Straight Link/4" Straight Link	\$200		\$478		\$478	
	5	8" Straight Link/4" Straight Link/4" Straight Link	\$213		\$504		\$504	
	7	12" Straight Link/4" Straight Link/4" Straight Link	\$239		\$530		\$530	
	9	8" Straight Link/8" Straight Link/4" Straight Link	\$226		\$530		\$530	



M/Flex Build Your Product Code

COMPONENT	CODE		M2.1		M8.1		M10	
			LIST		LIST		LIST	
PRODUCT GROUP	X2	M/Flex for M2.1 Monitor Arm	-		-		-	
	X8	M/Flex for M8.1 Monitor Arm	-		-		-	
	X1	M/Flex for M10 Monitor Arm	-		-		-	
BRACKET STYLE <i>- 2 is only available with mounts CM, BT, DM, C2, C8, C5 and C0</i> <i>- G is only available with M/Connect 2 and M/Power</i>	N	No Bracket	-		-		-	
	A	Dual Bracket for 1 Monitors	\$172		\$266		\$266	
	B	Dual Bracket for 2 Monitors	\$172		\$266		\$266	
	C	Bracket For 3 Monitors	\$242		\$310		\$310	
	D	One Single Monitor Bracket	\$125		\$163		\$163	
	E	Two Single Monitor Brackets	\$250		\$326		\$326	
	F	Three Single Monitor Brackets	\$376		\$487		\$487	
	2	Dual Desk Mount (No Post)	\$127		N/A		N/A	
MOUNT	NM	No Mount	-		-		-	
	CM	Two-Piece Clamp Mount with Base	\$152		\$200		\$200	
	BT	Bolt-Through Mount with Base	\$89		\$147		\$147	
	DM	Combo Mount – Clamp & Bolt-Through	\$242		\$251		\$251	
	TC	M/Power with Standard Clamp Mount	\$419		\$419		N/A	
	AC	M/Connect 2- 100W with Standard Clamp Mount	\$1,144		\$1,144		N/A	
	COLOR	S	Silver with Gray Trim	-		-		-
W		Polished Aluminum with White Trim	-		-		-	
B		Black with Black Trim	-		-		-	
Arm Style Step 1 Link Selection <i>see additional Link codes on the following pages</i> <i>Ships unassembled, link order not a factor</i> <i>If selecting multiple arms, repeat Arm Style Steps 1,2 and 3 for each arm</i>	N	No Arm Link	-		-		-	
	D	Dynamic Link	\$226		\$383		\$473	
	B	Angled Link/Dynamic Link	\$298		\$530		\$618	
	C	4" Straight Link/Dynamic Link	\$292		\$557		\$645	
	E	8" Straight Link/Dynamic Link	\$305		\$583		\$672	
	F	12" Straight Link/Dynamic Link	\$331		\$609		\$697	
	G	4" Straight Link/8" Straight Link	\$147		\$345		\$345	
	H	4" Straight Link/12" Straight Link	\$173		\$371		\$371	
	J	8" Straight Link/8" Straight Link	\$158		\$371		\$371	
	K	8" Straight Link/12" Straight Link	\$184		\$397		\$397	
	L	12" Straight Link/12" Straight Link	\$213		\$423		\$423	
	M	4" Straight Link/Angled Link/Dynamic Link	\$365		\$689		\$776	
	P	4" Straight Link/8" Straight Link/Dynamic Link	\$371		\$742		\$830	
	Q	4" Straight Link/12" Straight Link/Dynamic Link	\$397		\$717		\$856	
R	4" Straight Link/8" Straight Link/12" Straight Link	\$251		\$557		\$557		
Arm Style Step 2 End Style Selection <i>*Sliders and Crossbars only available in Silver and Black.</i>	N	No End (Only available with No Arm Link)	-		-		-	
	T	Standard Monitor Tilt (one per monitor)	\$92		\$131		\$131	
	S	Slider For Single Monitor	\$211		\$211		\$331	
	2	Crossbar for 2 monitors	N/A		\$371		\$371	
	H	Crossbar for 2 monitors, with Handle	N/A		\$504		\$504	



New M/Flex (cont.)

			M2.1		M8.1		M10	
COMPONENT	CODE		LIST		LIST		LIST	
Arm Style Step 3 VESA Bracket Selection	N	No VESA Plate	-		-		-	
	G	Standard 100mm x 100mm, gray	-		-		-	
	B	Standard 100mm x 100mm, black	-		-		-	
	W	Standard 100mm x 100mm, white	-		-		-	
	Y	100mm x 200mm, gray	\$40		\$40		\$40	
	K	100mm x 200mm, black	\$40		\$40		\$40	
	J	200mm x 200mm, black	\$56		\$56		\$56	
	D	Dell QA VESA Plate, black	\$40		\$40		\$40	
	R	Dell QA VESA Plate, gray	\$40		\$40		\$40	
	O	Offset VESA Plate, black	\$40		\$40		\$40	
	S	Offset VESA Plate, gray	\$40		\$40		\$40	
	A	Adapter Bracket, black	\$40		\$40		\$40	
	Z	Adapter Bracket, gray	\$40		\$40		\$40	
	H	Single Monitor Handle On Accessories Bracket, Black	\$167		\$167		\$167	
	E	Single Monitor Handle On Accessories Bracket, Gray	\$167		\$167		\$167	
	M	Medium Thin Client Holder, Black	N/A		\$158		\$158	
	T	Medium Thin Client Holder, Gray	N/A		\$158		\$158	
	L	Large Thin Client Holder, Black	N/A		\$167		\$167	
C	Large Thin Client Holder, Gray	N/A		\$167		\$167		
POST HEIGHT	NP	No Post	-		-		-	
	12	12" High Post	\$71		\$71		\$71	
	18	18" High Post	\$125		\$125		\$125	
	24	24" High Post	\$143		\$143		\$143	
	30	30" High Post <i>(not available for use with technology bases)</i>	\$196		\$196		\$196	
	36	36" High Post <i>(not available for use with technology bases)</i>	\$250		\$250		\$250	
POWER CORD PLUG STYLE	NA	North America	-		-		-	
	EU	Europe	-		-		-	
	UK	United Kingdom	-		-		-	
	AU	Australia	-		-		-	
	SP	Singapore	-		-		-	
	CH	China	-		-		-	
	HK	Hong Kong	-		-		-	
	ID	Indonesia	-		-		-	
	NZ	New Zealand	-		-		-	
	MX	Mexico	-		-		-	
	JP	Japan	-		-		-	
	SK	South Korea	-		-		-	

Available with both
M/Connect and **M/Power**

Only available with **M/Connect**



M/Flex Add Ons

			M2.1		M8.1		M10		
COMPONENT	CODE		LIST		LIST		LIST		
PRODUCT GROUP	AX2	M/Flex Add-Ons for M2.1 Monitor Arm	-		N/A		N/A		
	AX8	M/Flex Add-Ons for M8.1 Monitor Arm	N/A		-		N/A		
	AX1	M/Flex Add-Ons for M10 Monitor Arm	N/A		N/A		-		
BRACKET STYLE	S	Smart Stop Only	-		-		-		
	C	Bracket For 3rd Monitor	\$62		\$87		\$87		
MOUNT	NM	No Mount	-		-		-		
COLOR	S	Silver with Gray Trim	-		-		-		
	W	Polished Aluminum with White Trim	-		-		-		
	B	Black with Black Trim	-		-		-		
Arm Style Step 1	N	No Arm Link	-		-		-		
Link Selection *see additional Link codes on the following pages **Ships unassembled, link order not a factor	D	Dynamic Link	\$226		\$383		\$473		
	B	Angled Link/Dynamic Link	\$298		\$530		\$618		
	C	4" Straight Link/Dynamic Link	\$292		\$557		\$645		
	E	8" Straight Link/Dynamic Link	\$305		\$583		\$672		
	F	12" Straight Link/Dynamic Link	\$331		\$609		\$697		
	G	4" Straight Link/8" Straight Link	\$147		\$345		\$345		
	H	4" Straight Link/12" Straight Link	\$173		\$371		\$371		
	J	8" Straight Link/8" Straight Link	\$158		\$371		\$371		
	K	8" Straight Link/12" Straight Link	\$184		\$397		\$397		
	L	12" Straight Link/12" Straight Link	\$213		\$423		\$423		
	M	4" Straight Link/Angled Link/Dynamic Link	\$365		\$689		\$776		
	P	4" Straight Link/8" Straight Link/Dynamic Link	\$371		\$742		\$830		
	Q	4" Straight Link/12" Straight Link/Dynamic Link	\$397		\$717		\$856		
	R	4" Straight Link/8" Straight Link/12" Straight Link	\$251		\$557		\$557		
	Arm Style Step 2	N	No End (Only available with No Arm Link)	-		-		-	
End Style Selection	T	Standard Monitor Tilt (one per monitor)	\$92		\$131		\$131		
	S	Slider For Single Monitor	\$211		\$211		\$331		
	Z	Crossbar for 2 monitors	N/A		\$371		\$371		
	H	Crossbar for 2 monitors, with Handle	N/A		\$504		\$504		
Arm Style Step 3 VESA Bracket Selection	N	No VESA Plate	-		-		-		
	G	Standard 100mm x 100mm, gray	-		-		-		
	B	Standard 100mm x 100mm, black	-		-		-		
	W	Standard 100mm x 100mm, white	-		-		-		
	Y	100mm x 200mm, gray	\$40		\$40		\$40		
	K	100mm x 200mm, black	\$40		\$40		\$40		
	J	200mm x 200mm, black	\$56		\$56		\$56		
	D	Dell QA VESA Plate, black	\$40		\$40		\$40		
	R	Dell QA VESA Plate, gray	\$40		\$40		\$40		
	O	Offset VESA Plate, black	\$40		\$40		\$40		
	S	Offset VESA Plate, gray	\$40		\$40		\$40		
	A	Adapter Bracket, black	\$40		\$40		\$40		
	Z	Adapter Bracket, gray	\$40		\$40		\$40		
	*178 mm (7") max height 10-32 mm (0.4" - 1.25") thickness range	H	Single Monitor Handle On Accessories Bracket, Black	\$167		\$167		\$167	
		E	Single Monitor Handle On Accessories Bracket, Gray	\$167		\$167		\$167	
		M	Medium* Thin Client Holder, Black	N/A		\$158		\$158	
	** 202 mm (7.95") max height 40-50 mm (1.6" - 1.95") thickness range	T	Medium* Thin Client Holder, Gray	N/A		\$158		\$158	
		L	Large** Thin Client Holder, Black	N/A		\$167		\$167	
C		Large** Thin Client Holder, Gray	N/A		\$167		\$167		
POST HEIGHT	NP	No Post	-		-		-		

M/Flex Additional Mounts

			M2.1		M8.1		M10	
COMPONENT	CODE		LIST		LIST		LIST	
Additional Mounts	F1	Frame One Mount	\$158		\$158		\$158	
	CS	c:scape Mount	\$158		\$158		\$158	
	C2	Sliding Desk Clamp Mount, 12mm	\$158		\$200		\$200	
	C8	Sliding Desk Clamp Mount, 18mm	\$158		\$200		\$200	
	C5	Sliding Desk Clamp Mount, 25mm	\$158		\$200		\$200	
	C0	Sliding Desk Clamp Mount, 30mm	\$158		\$200		\$200	
	T2	M/Power with Sliding Desk Clamp Mount, 12mm	\$419		\$419		N/A	
	T8	M/Power with Sliding Desk Clamp Mount, 18mm	\$419		\$419		N/A	
	T5	M/Power with Sliding Desk Clamp Mount, 25mm	\$419		\$419		N/A	
	T0	M/Power with Sliding Desk Clamp Mount, 30mm	\$419		\$419		N/A	
	TB	M/Power with Bolt-Thru Mount	\$419		\$419		N/A	
	A2	M/Connect 2 - 100W with Sliding Desk Clamp Mount, 12mm	\$1,144		\$1,144		N/A	
	A8	M/Connect 2 - 100W with Sliding Desk Clamp Mount, 18mm	\$1,144		\$1,144		N/A	
	A5	M/Connect 2 - 100W with Sliding Desk Clamp Mount, 25mm	\$1,144		\$1,144		N/A	
	A0	M/Connect 2 - 100W with Sliding Desk Clamp Mount, 30mm	\$1,144		\$1,144		N/A	
	AB	M/Connect 2 - 100W with Bolt-Thru Mount	\$1,144		\$1,144		N/A	

New M/Flex Additional Arm Styles

			M2.1		M8.1		M10	
COMPONENT	CODE		LIST		LIST		LIST	
Additional Arm Styles	4	4" Straight Link	\$66		\$158		\$158	
Arm Style Step 1	8	8" Straight Link	\$80		\$184		\$184	
	1	12" Straight Link	\$106		\$213		\$213	
	S	Angled Link/4" Straight Link	\$14		\$305		\$305	
	T	Angled Link/8" Straight Link	\$152		\$331		\$331	
	U	Angled Link/12" Straight Link	\$179		\$357		\$357	
	V	4" Straight Link/4" Straight Link	\$131		\$318		\$318	
	W	Angled Link/4" Straight Link/4" Straight Link	\$205		\$465		\$465	
	Y	Angled Link/8" Straight Link/4" Straight Link	\$218		\$490		\$490	
	Z	Angled Link/12" Straight Link/4" Straight Link	\$245		\$517		\$517	
	2	4" Straight Link/4" Straight Link/Dynamic Link	\$357		\$715		\$803	
	3	4" Straight Link/4" Straight Link/4" Straight Link	\$200		\$478		\$478	
	5	8" Straight Link/4" Straight Link/4" Straight Link	\$213		\$504		\$504	
	7	12" Straight Link/4" Straight Link/4" Straight Link	\$239		\$530		\$530	
	9	8" Straight Link/8" Straight Link/4" Straight Link	\$226		\$530		\$530	

Monitor Arm Accessories

COMPONENT	CODE		LIST PRICE	
ACCESSORY HOLDER	SMAHHA-x	Accessory Holder + Handle + Universal Accessory Bracket	\$229	
<i>*Black & Silver Only</i>	SMAH-x	Accessory Holder + Universal Accessory Bracket	\$114	
	SMAHK-x	Accessory Holder Kit to retrofit setup containing the Universal Accessory Bracket & Handle	\$83	



Monitor Arm Conversion Kits & Accessories

COMPONENT	CODE		LIST PRICE
MOUNTS	M21CM-x	M2.1 Clamp Mount with Base	\$158
	M81CM-x	M8.1 Clamp Mount with Base	\$200
	M10CM-x	M10 Clamp Mount with Base	\$200
	MF1CM-x	MFlex.1 Clamp Mount with Base	\$158
	MD21CM-x	Dual M2.1 Clamp Mount With Base	\$292
	M21BT-x	M2.1 Bolt Mount with Base	\$92
	M81BT-x	M8.1 Bolt Mount with Base	\$147
	M10BT-x	M10 Bolt Mount with Base	\$147
	MF1BT-x	MFlex.1 Bolt Mount with Base	\$92
	M21SM-x	M2.1 Slatwall Mount with Base	\$147
	M81SM-x	M8.1 Slatwall Mount with Base	\$173
	M10SM-x	M10 Slatwall Mount with Base	\$173
	M21HW-x	M2.1 Direct Wall Mount with Base	\$147
	M81HW-x	M8.1 Direct Wall Mount with Base	\$173
	M10HW-x	M10 Direct Wall Mount with Base	\$173
	M21CS-x	M2.1 C:Scape Mount with Base	\$158
	M81CS-x	M8.1 C:Scape Mount with Base	\$158
	M10CS-x	M10 C:Scape Mount with Base	\$158
	MF1CS-x	MFlex.1 C:Scape Mount with Base	\$158
	M21F1-x	M2.1 Frame One Mount with Base	\$158
	M81F1-x	M8.1 Frame One Mount with Base	\$158
	M10F1-x	M10 Frame One Mount with Base	\$158
	MF1F1-x	MFlex.1 Frame One Mount with Base	\$158
	M21C2-x	M2.1 12 mm Sliding Desk Clamp Mount with Base	\$158
	M81C2-x	M8.1 12 mm Sliding Desk Clamp Mount with Base	\$200
	M10C2-x	M10 12 mm Sliding Desk Clamp Mount with Base	\$200
	MF1C2-x	MFlex.1 12 mm Sliding Desk Clamp Mount with Base	\$158
	M21C8-x	M2.1 18 mm Sliding Desk Clamp Mount with Base	\$158
	M81C8-x	M8.1 18 mm Sliding Desk Clamp Mount with Base	\$200
	M10C8-x	M10 18 mm Sliding Desk Clamp Mount with Base	\$200
	MF1C8-x	MFlex.1 18 mm Sliding Desk Clamp Mount with Base	\$158
	M21C5-x	M2.1 25 mm Sliding Desk Clamp Mount with Base	\$158
	M81C5-x	M8.1 25 mm Sliding Desk Clamp Mount with Base	\$200
	M10C5-x	M10 25 mm Sliding Desk Clamp Mount with Base	\$200
	MF1C5-x	MFlex.1 25 mm Sliding Desk Clamp Mount with Base	\$158
	M21C0-x	M2.1 30 mm Sliding Desk Clamp Mount with Base	\$158
	M81C0-x	M8.1 30 mm Sliding Desk Clamp Mount with Base	\$200
	M10C0-x	M10 30 mm Sliding Desk Clamp Mount with Base	\$200
	MF1C0-x	MFlex.1 30 mm Sliding Desk Clamp Mount with Base	\$158



Monitor Arm Conversion Kits & Accessories (cont.)

COMPONENT	CODE		LIST PRICE
CONVERSION KITS	M21SLDR-S-x-y	M2.1 slider Conversion Kit. Converts End Style To Slider For Dynamic Arm.	\$211
	M21SLDR-T-x-y	M2.1 slider Conversion Kit. Converts End Style To Slider For Fixed Arm.	\$211
	M21TILT-S-x	M 2.1 Tilt Conversion Kit. Converts End Style To Tilt Mechanism For Dynamic Arm.	\$92
	M21TILT-T-x	M2.1 Tilt Conversion Kit. Converts End Style To Tilt Mechanism For Fixed Arm.	\$92
	M81SLDR-S-x-y	M8.1/M10 slider Conversion Kit. Converts End Style To Slider For Dynamic Arm.	\$211
	M81SLDR-T-x-y	M8.1/M10 slider Conversion Kit. Converts End Style To Slider For Fixed Arm.	\$211
	M81CB-S-x-y	M8.1/M10 Crossbar Conversion Kit. Converts End Style To Dual Crossbar For Dynamic Arm.	\$371
	M81CB-T-x-y	M8.1/M10 Crossbar Conversion Kit. Converts End Style To Dual Crossbar For Fixed Arm.	\$371
	M81TILT-S-x	M8.1/M10 Tilt Conversion Kit. Converts End Style To Tilt Mechanism For Dynamic Arm.	\$131
	M81TILT-T-x	M8.1/M10 Tilt Conversion Kit. Converts End Style To Tilt Mechanism For Fixed Arm.	\$131
	M10CB-S-x-y	M10 Crossbar Conversion Kit. Converts End Style To Triple Crossbar For Dynamic Arm.	\$371
	M10CB-T-x-y	M10 Crossbar Conversion Kit. Converts End Style To Triple Crossbar For Fixed Arm.	\$371
	M10TILT-S-x	M10 Tilt Conversion Kit. Converts End Style To Tilt Mechanism For Dynamic Arm.	\$131
	M10TILT-T-x	M 10 Tilt Conversion Kit. Converts End Style To Tilt Mechanism For Fixed Arm.	\$131
HANDLES <i>*Black & Silver Only</i>	SMHA-x	Single Monitor Handle For M2.1, M8.1 or M10. Includes Accessories Bracket.	\$167
	M81CBH-x	M8.1 Horizontal Crossbar Handle (Fits Dual)	\$131
	M10CBH-x	M10 Horizontal Crossbar Handle (Fits Dual)	\$131
VESA PLATES <i>*Black & Silver Only</i> <i>**Black only</i>	VESA1-11-x	100 x 100mm VESA Plate for M2.1, M8.1 and M10	\$40
	VESA1-12-x	100 x 200mm VESA Plate for M2.1, M8.1 and M10*	\$58
	VESA1-22-x	200 x 200mm VESA Plate for M2.1, M8.1 and M10**	\$71
	VESA1-D-x	Dell Quick Release VESA Plate for M2.1, M8.1 and M10*	\$46
	VESA1-OVP-x	Offset VESA Plate for M2.1, M8.1 and M10*	\$64
	VESA1-A-B	Adapter VESA Bracket for M2.1, M8.1 and M10. Converts Mx.1 Tilt To M2 or M8 Tilt.**	\$53
THIN CLIENT HOLDERS	VESA1-MTC-x	Medium Thin Client Holder for M8.1 and M10** <i>178 mm (7") max height 10-32 mm (0.4" – 1.25") thickness range</i>	\$158
	VESA1-LTC-x	Large Thin Client Holder for M8.1 and M10** <i>202 mm (7.95") max height 40-50 mm (1.6" – 1.95") thickness range</i>	\$167
NOTEBOOK HOLDERS	NH1-x	Notebook Holder for M2.1, M8.1 and M10	\$318
ACCESSORY HOLDER <i>*Black & Silver Only</i>	SMAHHA-x	Accessory Holder + Handle + Universal Accessory Bracket	\$263
	SMAH-x	Accessory Holder + Universal Accessory Bracket	\$130
	SMAHK-x	Accessory Holder Kit to retrofit setup containing the Universal Accessory Bracket & Handle	\$95
ZERO DEGREE STOP RING	M81ZDR	M8.1/M10 Zero Degree Stop Ring - Insert ring into arm joint to fix arm at a specific angle.	\$7
	M21ZDR	M2.1 Zero Degree Stop Ring - Insert ring into arm joint to fix arm at a specific angle.	\$5

Note: x denotes component color and y denotes arm color



Tech Stand Alones and Retrofits

COMPONENT	CODE		LIST PRICE
PRODUCT	A	M/Connect 2 - 100W	\$1,104
	T	M/Power	\$377
MOUNT	C	Clamp	–
	2	12mm Sliding Desk Clamp	–
	8	18mm Sliding Desk Clamp	–
	5	25mm Sliding Desk Clamp	–
	0	30mm Sliding Desk Clamp	–
	N	No Mount	–
ARM STYLE <i>** Not available with the bolt mount</i>	2-	M2	\$43
	8-	M8	\$43
	MF	M/Flex	\$43
	21	M2.1**	\$43
	81	M8.1**	\$43
	2D	M2.1 Dual Desk Mount	\$43
	N-	Stand Alone (Not Available with “B – Bolt-Thru” Mount)	–
COLOR	S	Silver with Gray Trim	–
	W	Polished Aluminum with White Trim	–
	B	Black with Black Trim	–
POWER CORD PLUG STYLE	NA	North America	–
	EU	Europe	–
	UK	United Kingdom	–
	AU	Australia	–
	SP	Singapore	–
	CH	China	–
	HK	Hong Kong	–
	ID	Indonesia	–
	NZ	New Zealand	–
	MX	Mexico	–
	JP	Japan	–
SK	South Korea	–	

..... Available with both **M/Connect** and **M/Power**

..... Only available with **M/Connect**

**M/Connect 1 is only available with Clamp Mount, and is not available with M2.1, M8.1, M10 or stand alone.*

M/Connect 2 Retrofit Parts

CODE	DESCRIPTION (Dock to Monitor)	LIST PRICE
MC2USCB	MC2 Upstream Cable, Black	\$90
MC2USCG	MC2 Upstream Cable, Gray	\$90
MC2USCW	MC2 Upstream Cable, White	\$90
MC2NAPAB	MC2 Power Adapter, 100W, Black	\$300
MC2NAPAB	MC2 Power Adapter, 100W, Gray	\$300
MC2NAPAB	MC2 Power Adapter, 100W, White	\$300
MC2HUBB	MC2 100W Top Hub, Black	\$415
MC2HUBG	MC2 100W Top Hub, Gray	\$415
MC2HUBW	MC2 100W Top Hub, White	\$415
MC2DOCKB	MC2 Bottom Dock, Black	\$600

NOTE: these parts are specific to new modular M/Connect 2

M/Connect Monitor Cables

CODE	DESCRIPTION (Dock to Monitor)	LIST PRICE
CA-DPHD	Replacement Cable, DisplayPort to HDMI	\$45
CA-HDDV	Replacement Cable, HDMI to DVI	\$21
CA-DPDV	Replacement Cable, DisplayPort to DVI	\$51
CA-DPDP	Replacement Cable, DisplayPort to DisplayPort (Max resolution is 2560 x 1400)	\$36
CA-HDHD	Replacement Cable, HDMI to HDMI	\$20

NOTE: Note: First listed cable is the M/Connect dock end, second listed cable is monitor end. CA-DPHD cannot be used with HDMI plugged into M/Connect dock.





Sit-Stand

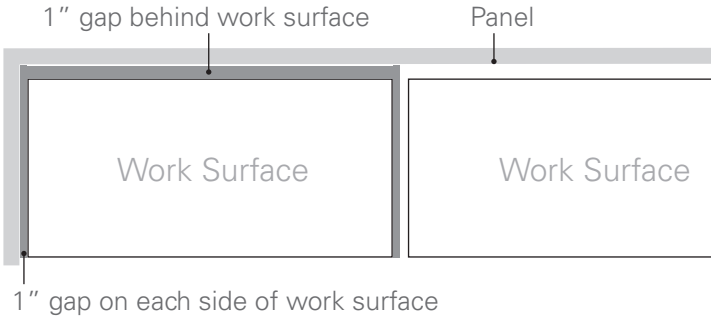
Recent research suggests that movement is vital to health. As the pioneer of a healthier, more active workplace, Humanscale has designed innovative sit/stand solutions that encourage users to alternate postures. Ultimately, these products allow users to adopt a healthy and balanced level of activity as they work.



FLOAT Choosing A Worksurface

WORK SURFACE DIMENSIONS

Depth and width dimension is nominal. Depths are 1" less than stated to provide a 1" gap between the work surface and panel. Widths are 2" less than stated to provide a 1" gap on each side of the work surface. The gaps are to facilitate cable management, monitor arms and pinch points in either a panel or open plan work station environment.



LAMINATE WORK SURFACES

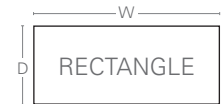
Our high pressure compact environmentally-friendly polypropylene laminate is laminated to either a 3/4" thick particleboard or a 3/4" MDF (medium-density-fibreboard) depending on the edge detail selected. Both work surfaces have a heavy duty back (bottom layer) which is a very thin layer of phenolic. This stops any potential warping. All of our work surfaces are **formaldehyde-free** and manufactured from **FSC (forest stewardship council) certified wood**.

FLOAT Build Your Float Product Code

Step 1: Identify The List Price For Your Float Base

COMPONENT	CODE	DESCRIPTION	LIST PRICE
PRODUCT	FN	Float Table Base	-
BASE COLOR	S	Silver	-
	W	White - <i>Living Product Challenge Approved</i>	-
	B	Black	-
COUNTERBALANCE ADJUSTER	M	Mounted - <i>can only be ordered with size 42, 43, 62, 63</i>	\$140
	R	Removable	-
SIZE <i>*All size options are Living Product Challenge approved.</i>	42	24" deep x 48" to 56" wide	\$2,505
	43	30" deep x 48" to 56" wide	\$2,505
	62	24" deep x 60" to 72" wide	\$2,573
	63	30" deep x 60" to 72" wide	\$2,573
PADDLE POSITION	R	Right-Handed	-
	L	Left-Handed	-

Living Product Challenge approved.



Step 2: Build Your Float Worksurface

COMPONENT	CODE	DESCRIPTION	LIST PRICE
LINE	FTF	Float Worksurface, Rectangular	-
DEPTH (ACTUAL)	24	23" deep	-
	30	29" deep	\$36
WIDTH (ACTUAL)	48	47" wide	\$551
	54	52" wide	\$593
	60	58" wide	\$626
	66	64" wide	\$668
	72	70" wide	\$710
	COLOR	WH	White Laminate
GY		Grey Laminate	-
PL		Platinum Laminate	-
BL		Black Laminate	-
OK		White Oak Veneer	\$690
WN		Walnut Veneer	\$690
BM		Bamboo (available in 29x58 only)	-

Note:

** All tops are actual 1" less than nominal depth and 2" less than nominal width except the 48" wide top which is 1" less than nominal width to accommodate the base width*

COMPONENT	CODE	DESCRIPTION	LIST PRICE
Accessories	FLC	Float Caster Kit	\$143

EFLOAT GO

Humanscale’s latest height-adjustable table, the eFloat Go, is the easiest to use, most cost-effective solution for any sit-to-stand application. It assembles in under 5 minutes and features innovations such as anti-collision technology and quiet motors. With a wide range of sizes, the eFloat Go is as versatile as it is functional.



EFLOAT GO Build Your Float Product Code

Step 1: Identify The List Price For Your eFloat Go Base

COMPONENT	CODE	DESCRIPTION	LIST PRICE	
PRODUCT	FG	Float Table Base	-	
COLUMN	12	2-Leg Base, Standard Height - 26.8"h to 46"h	\$1,444	
	22	2-Leg Base, Extended Height - 21.5"h to 47.6"h	\$1,444	
FEET	24	24" deep Classic Float C-Feet w/glides	-	
	30	30" deep Classic Float C-Feet w/glides	-	
HAND SWITCH	D	Digital Programmable	-	
COLOR	S	Silver	-	
	W	White	-	
	B	Black	-	

Step 2: Identify The List Price For Your eFloat Go Worksurface

COMPONENT	CODE	DESCRIPTION	LIST PRICE	
Line	FTR	eFloat Worksurface, Rectangular	-	
Depth (Actual)	24	23" deep	-	
	30	29" deep	\$50	
Width (Actual)	48	46" wide	\$789	
	54	52" wide	\$850	
	60	58" wide	\$899	
	66	64" wide	\$959	
	72	70" wide	\$1,019	
	78	76" wide	\$1,078	
	84	82" wide	\$1,138	
Color	WH	White Laminate	-	
	GY	Grey Laminate	-	
	PL	Platinum Laminate	-	
	BL	Black Laminate	-	
	OK	White Oak Veneer	\$988	
	WN	Walnut Veneer	\$988	
	BM	Bamboo (available in 23x46 and 29x58 only)	-	

Note:

*All tops are actual 1" less than nominal depth and 2" less than nominal width

COMPONENT	CODE	DESCRIPTION	LIST PRICE	MAP
Accessories	FG2CK	eFloat 2 Leg Caster Kit	\$111	\$89



EFLOAT GO

eFloat Worksurface - Rectangular for 3-Leg Base

COMPONENT	CODE	DESCRIPTION	LIST PRICE
Line	FTR	eFloat Worksurface, Rectangular	-
Depth	24	23" deep	-
	30	29" deep	\$50
Width	36	34" wide (for Beamless option only)	\$750
	42	40" wide (for Beamless option only)	\$769
	48	46" wide (for Beamless or Standard)	\$789
	54	52" wide	\$850
	60	58" wide	\$899
	66	64" wide	\$959
	72	70" wide	\$1,019
	78	76" wide	\$1,078
	84	82" wide	\$1,138
Color	WH	White Laminate	-
	GY	Grey Laminate	-
	PL	Platinum Laminate	-
	BL	Black Laminate	-
	OK	White Oak Veneer	\$988
	WN	Walnut Veneer	\$988
	BM	Bamboo (available in 23x46 and 29x58 only)	-

Note:

* All tops are actual 1" less than nominal depth and 2" less than nominal width

* Bamboo tops are only available in 24x48 and 30x60 nominal sizes

eFloat Worksurface - Return for 3-Leg Base

COMPONENT	CODE	DESCRIPTION	LIST PRICE
Line	FTL	eFloat Return Top, Rectangular	-
Depth	24	23" deep	-
	30	29" deep	\$50
Width	18	17" wide	\$669
	24	23" wide	\$709
	30	29" wide	\$750
	36	35" wide	\$789
Color	WH	White Laminate	-
	GY	Grey Laminate	-
	PL	Platinum Laminate	-
	BL	Black Laminate	-
	OK	White Oak Veneer	\$988
	WN	Walnut Veneer	\$988

Note:

* Return tops attach to front edge of main top with included flat brackets

* Return depth width plus main top depth equal total width of return side

-Ex. A 30x30 return top attached to a 30x72 main top will create a nominal 60x72 L-top w/30" depth on both sides

* Return tops are non-handed to create either a left- or right-hand L-top



EFLOAT LITE

eFloat Lite focuses on price point and performance. eFloat lite is an easy to assemble height adjustable base created to be an optimal first step for a stand alone desk or multiple desk applications. Each configuration supplies everything you need to assemble your height adjustable table base. Just add your desired work surface to personalize.



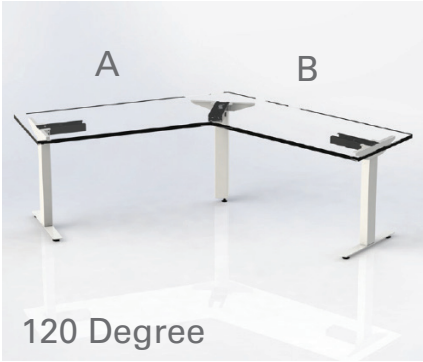
eFloat Lite for Rectangular Top



COMPONENT	CODE	DESCRIPTION	LIST PRICE
Line	FLR	eFloat Lite	-
Height Range	12	Standard Range, 27" to 46", 200lbs Capacity	\$1,231
	22	Dual Stage Low: Extended Range - 21" to 47" -200lbs	\$1,475
Support Bar	A1	None - 1" thick surfaces +	-
	A2	Small - Adjustable Support Bar - 48"-66" Wide	\$120
	A3	Large - Adjustable Support Bar - 66"-84" Wide	\$163
Foot Depth & Style	F2	24" Deep Float T Feet with Glides	\$307
	F3	30" Deep float T Feet with Glides	\$339
	G2	24" Deep Float C Feet with Glides	\$307
	G3	30" Deep Float C Feet with Glides	\$339
Touch Pad	T	Touch Basic Up Down	\$120
	F	Touch Digital Programmable	\$323
Color	BL	Black	-
	SL	Silver	-
	WH	White	-



eFloat Lite for 90 or 120 Degree Top



COMPONENT	CODE	DESCRIPTION	LIST PRICE
Line	FL90	eFloat Lite for 90 or 120 Degree Top	-
Height Range	12	Standard Range, 27" to 46", (base only) 250lbs Capacity	\$2,424
	22	Extended Range - 21" to 47" (base only) -250lbs	\$3,149
Support Bar <i>A and B are the surface dimensions the table base needs to support, not the length of the support bar</i>	A1	None - 1" thick RH or LH side up to 60" Wide	-
	A2	Small Support Bar - RH or LH Sides 60-75" Wide	\$120
	A3	Large Support Bar - RH or LH Sides 79-84" Wide	\$163
	B1	None - 1" + Thick RH or LH side up to 60" Wide	-
	B2	Small Support Bar - RH or LH Sides 60-78" Wide	\$120
	B3	Large Support Bar - RH or LH Sides 79-84" Wide	\$163
Foot Depth & Style	F2	24" Deep Float T Feet with Glides	\$307
	F3	30" Deep float T Feet with Glides	\$339
	FC	24"/30" Deep Combo Float T Feet with Glides	\$323
	G2	24" Deep Float C Feet with Glides	\$307
	G3	30" Deep Float C Feet with Glides	\$339
	GC	24"/30" Deep Combo Float C Feet with Glides	\$323
	Touch Pad	T	Touch Basic Up Down
F		Touch Programmable	\$323
Color	BL	Black	-
	SL	Silver	-
	WH	White	-

COMPONENT	CODE	DESCRIPTION	LIST PRICE
Accessories	FFCK	Float Foot Locking Caster Kit (QTY 4)	\$163
	FL3K	CAster for 3rd Leg (QTY 1)	\$40



FLOAT MINI

The Float Mini table combines classic residential aesthetics with Humanscale’s world-class ergonomic design system to create a simple and compact solution for both home and work environments. The Float Mini accommodates each users work style in their own space by encouraging natural movement in users with a work surface that glides to a range of heights as well as the option for caster wheels.



COMPONENT	CODE	LIST PRICE
FLOAT MINI	FM1627BM	\$1,182

COMPONENT	CODE	DESCRIPTION	LIST PRICE
Accessories	FMCK	Float Mini Caster Kit	\$84

QUICKSTAND

Features & Product Configurations



MONITOR MOUNT

Choose between a single or dual monitor mount

It can accommodate a monitor up to 24"

The single/dual monitor mount has a height adjustment of 5"

COLOR

Choose between black with gray trim or white with gray trim to match QuickStand into any working environment

PLATFORM

The height adjustable platform is available in either a small or large platform for varying work surface depths

The size of the small platform is: 28" wide x 11" deep (for a 24" to 29" deep work surface)

The size of the large platform is: 28" wide x 17" deep (for a 30" to 36" deep work surface)

The small and large platforms both have a height adjustment of 18"

QuickStand Product Configurations

<p>QSWH24CDN \$1,695</p> <p>Quickstand, white, heavy mount assembly with small platform</p>	<p>QSWH30CDN \$1,719</p> <p>Quickstand, white, heavy mount assembly with large platform</p>	<p>QSWC30CDD \$1,842</p> <p>Quickstand, white, heavy mount assembly with large platform and crossbar</p>
<p>QSBH24CDN \$1,695</p> <p>Quickstand, black, heavy mount assembly with small platform</p>	<p>QSBH30CDN \$1,719</p> <p>Quickstand, black, heavy mount assembly with large platform</p>	<p>QSBC30CDD \$1,842</p> <p>Quickstand, black, heavy mount assembly with large platform and crossbar</p>



QUICKSTAND Build Your Product Code

COMPONENT	CODE	DESCRIPTION	LIST PRICE
LINE	QS	QuickStand (weight capacity up to 35lbs*)	\$1,233
COLOR	B	Black	–
	W	White	–
MONITOR MOUNT STYLE	H	Heavy Monitor Mount (Single only up to 30lbs)	\$162
	C	Standard Crossbar Monitor Mount (Dual screen up to 30lbs total monitor weight. Screens up to 24" wide)	\$220
	W	Wide Crossbar Monitor Mount (Dual screen up to 30lbs total monitor weight. Screens up to 27" wide)	\$293
WORKSURFACE	24	Small Platform	\$156
	30	Large Platform	\$234
DESK MOUNT	C	Clamp Mount	–
	G	Grommet/Bolt Mount	–
	D	Dual Mount (CM+GM Mount)	\$162
	F	FreeStanding Base	\$189
LEFT SIDE CABLE SET	N	No Cables	–
	V	VGA Set (includes 1-VGA/1-Power/2-USB)	\$91
	P	Display Port Set (includes 1-Display Port/1-Power/2-USB)	\$91
	H	HDMI Set (includes 1-HDMI/1-Power/2-USB)	\$91
	D	DVI-D Set (includes 1-DVI-D/1-Power/2-USB)	\$91
RIGHT SIDE CABLE SET	N	No Cables	–
	V	VGA Set (includes 1-VGA/1-Power)	\$64
	P	Display Port Set (includes 1-Display Port/1-Power)	\$64
	H	HDMI Set (includes 1-HDMI/1-Power)	\$64
	D	DVI-D Set (includes 1-DVI-D/1-Power)	\$64

*QS Total weight capacity of 35lbs is the sum of the weight of the monitors plus the items placed on the work surface. Consult the monitor mount options for monitor weight guidelines.

Accessories

COMPONENT	CODE	DESCRIPTION	LIST PRICE
LINE	QSHD	Heavy Monitor Mount (Single only up to 22lbs)	\$162
	QSXCB	Standard Crossbar Monitor Mount (Dual screen up to 30lbs total monitor weight. Screens up to 24" wide)	\$281
	QSXWC	Wide Crossbar Monitor Mount (Dual screen up to 30lbs total monitor weight. Screens up to 27" wide)	\$324
DESK MOUNT	QSCM	Clamp Mount	\$162
	QSGM	Grommet/Bolt Mount	\$162
	QSDM	Dual Mount (CM+GM Mount)	\$324
	QSXFS	FreeStanding Mount	\$350
	PLATFORM SIZE	QSX24	Small platform
	QSX30	Large platform	\$260
LEFT SIDE CABLE SET	QSVG1	VGA Set (includes 1-VGA/1-Power/2-USB)	\$118
	QSDP1	Display Port Set (includes 1-Display Port/1-Power/2-USB)	\$118
	QSDM1	HDMI Set (includes 1-HDMI/1-Power/2-USB)	\$118
	QSDV1	DVI-D Set (includes 1-DVI-D/1-Power/2-USB)	\$118
	QSDM1	Mini Display Port (includes 1-MiniDisplay Port/1-Power/2 USB)	\$118
RIGHT SIDE CABLE SET	QSVG2	VGA Set (includes 1-VGA/1-Power)	\$98
	QSDP2	Display Port Set (includes 1-Display Port/1-Power)	\$98
	QSDM2	HDMI Set (includes 1-HDMI/1-Power)	\$98
	QSDV2	DVI-D Set (includes 1-DVI-D/1-Power)	\$98
	QSDM2	Mini Display Port (includes 1-MiniDisplay Port/1-Power)	\$98
CABLE MANAGEMENT	QSCMK	Cable Management Kit	\$26

*The X designator in the code is a placeholder for a color option. Replace X with B=Black and W=White



QUICKSTAND LITE Features & Specifications

Humanscale's QuickStand Lite transforms any fixed-height desk into an active one. Its minimalist aesthetic complements any office environment and supports a variety of hardware. An adjustable keyboard and monitor arm platform provides exceptional stability while typing. An innovative counterbalance mechanism enables users to transition from sitting to standing positions with ease and encourages more movement—creating a truly active workspace.

- Main assembly holds single or dual monitors up to 25 lbs. of weight and can be easily converted to either configuration
- Designed to accommodate users of varying heights with 20" of total height range and 5.5" of vertical monitor adjustment
- Effortless functionality and flexibility allows user to adjust QuickStand Lite as needed to encourage movement and collaboration
- The lightweight QuickStand Lite has a minimal footprint and can be attached to any fixed-height desk



QUICKSTAND LITE Product Configurations & Pricing

QuickStand Lite Product Configurations

		
QSLBLC \$1,256	QuickStand Lite, black with black trim, light single monitor, clamp mount	QSLBCC \$1,399
QSLSLC \$1,256	QuickStand Lite, silver with white trim, light single monitor, clamp mount	QuickStand Lite, black with black trim, standard crossbar, clamp mount


QSLSCC \$1,399
QuickStand Lite, silver with white trim, standard crossbar, clamp mount

Build Your Product Code

COMPONENT	CODE		LIST PRICE
Product Group	QSL	QuickStand Lite Base	\$1,281
Color	S	Silver	-
	B	Black	-
Monitor Mount	L	Light monitor mount for 1 monitor up to 11 lbs	-
	H	Heavy monitor mount for 1 monitor between 12 and 22 lbs	\$77
	C	Standard crossbar monitor mount for 2 monitors up to 24" wide each and weighing up to 22 lbs. combined	\$146
	W	Wide crossbar monitor mount for 2 monitors up to 27" wide each and weighing up to 22 lbs. combined	\$174
Base Mount	C	Clamp Mount	-
	G	Grommet Mount	-
	D	Dual Mount (Both clamp and grommet mount included)	\$146

Accessories

CODE	DESCRIPTION	LIST PRICE
QSLSD	QSL Std Crossbar Kit - Crossbar, Upper Monitor Holder and VESA Plate Kits, Silver with White Trim	\$375
QSLBD	QSL Std Crossbar Kit - Crossbar, Upper Monitor Holder and VESA Plate Kits, Black with Black Trim	\$375
QSLSW	QSL Wide Crossbar Kit - Crossbar, Upper Monitor Holder and VESA Plate Kits, Silver with White Trim	\$419
QSLBW	QSL Wide Crossbar Kit - Crossbar, Upper Monitor Holder and VESA Plate Kits, Black with Black Trim	\$419
QSLSH	QSL Heavy Monitor Mount Kit - Heavy Upper Monitor Holder and VESA Plate Kit, Silver with White Trim	\$237
QSLBH	QSL Heavy Monitor Mount Kit - Heavy Upper Monitor Holder and VESA Plate Kits, Black with Black Trim	\$237
QSLSL	QSL Light Monitor Mount Kit - Light Upper Monitor Holder and VESA Plate Kit, Silver with White Trim	\$193
QSLBL	QSL Light Monitor Mount Kit - Light Upper Monitor Holder and VESA Plate Kits, Black with Black Trim	\$193


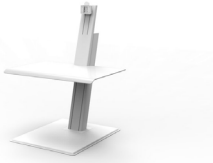






QUICKSTAND ECO



Humanscale's QuickStand Eco is the next generation in portable sit/stand products. Sleeker, easier to use and comprised of more sustainable materials than ever before, it is a vast improvement over the current generation of sit/stand options. This work surface is available in laptop, single or dual monitor configurations. QuickStand Eco features simple setup, portability and near effortless adjustability — transforming ordinary desktops into healthy, active workspaces.

QuickStand Eco Product Configurations

		
QSEWL \$872 QuickStand Eco Laptop, White <i>Minimum of 5 lbs. of weight on the surface</i>	QSEWS \$1,006 QuickStand Eco Single Monitor, White	QSEWD \$1,163 QuickStand Eco Dual Monitor, White
		
QSEBL \$872 QuickStand Eco Laptop, Black <i>Minimum of 5 lbs. of weight on the surface</i>	QSEBS \$1,006 QuickStand Eco Single Monitor, Black	QSEBD \$1,163 QuickStand Eco Dual Monitor, Black

Accessories

CODE	DESCRIPTION	LIST PRICE
QSEWZCL	QuickStand Eco Conversion kit to laptop model from any monitor model, White	\$44
QSEWLCS	QuickStand Eco Conversion kit from laptop model to single monitor model, White	\$146
QSEWLCD	QuickStand Eco Conversion kit from laptop model to dual monitor model, White	\$291
QSEWSCD	QuickStand Eco Conversion kit from single monitor model to dual monitor model, White	\$291
QSEBZCL	QuickStand Eco Conversion kit to laptop model from any monitor model, Black	\$44
QSEBLCS	QuickStand Eco Conversion kit from laptop model to single monitor model, Black	\$146
QSEBLCD	QuickStand Eco Conversion kit from laptop model to dual monitor model, Black	\$291
QSEBSCD	QuickStand Eco Conversion kit from single monitor model to dual monitor model, Black	\$291
QSEDP10	Display Port 10' (3m) Cable	\$33
QSEMDP10	Mini Display Port 10' (3m) Cable	\$35
QSEVID10	DVI-D 10' Cable (3m) Cable	\$28
QSEHDMI10	HDMI 10' Cable (3m) Cable	\$29
QSEVGA10	VGA 10' (3m) Cable	\$17
QSEPE10	Power Extender ICE 320 C13 to C14	\$13
QSEUSBA2	USB 2.0 Extender 6.5' (2m) Online 2 cables	\$20
QSEBDCS	QS Eco Dual to Single Conversion, Black	\$128
QSEWDCS	QS Eco Dual to Single Conversion, White	\$128



QUICKSTAND UNDER DESK



QuickStand Under Desk allows users to seamlessly alternate between sitting and standing postures without interrupting workflow. The continuous force mechanism is enclosed within a central column beneath the desk surface, so views are unobstructed in the sit position. Offering effortless functionality and a sleek, modern design, QuickStand Under Desk is an understated workspace wellness solution that blends into any environment.

Main assembly holds single and dual monitors up to max total weight of 35 lbs.

Designed to accommodate users of varying heights with 18" of work surface adjustment

Minimal footprint allows for more use of the desktop area

Provides built-in cable management

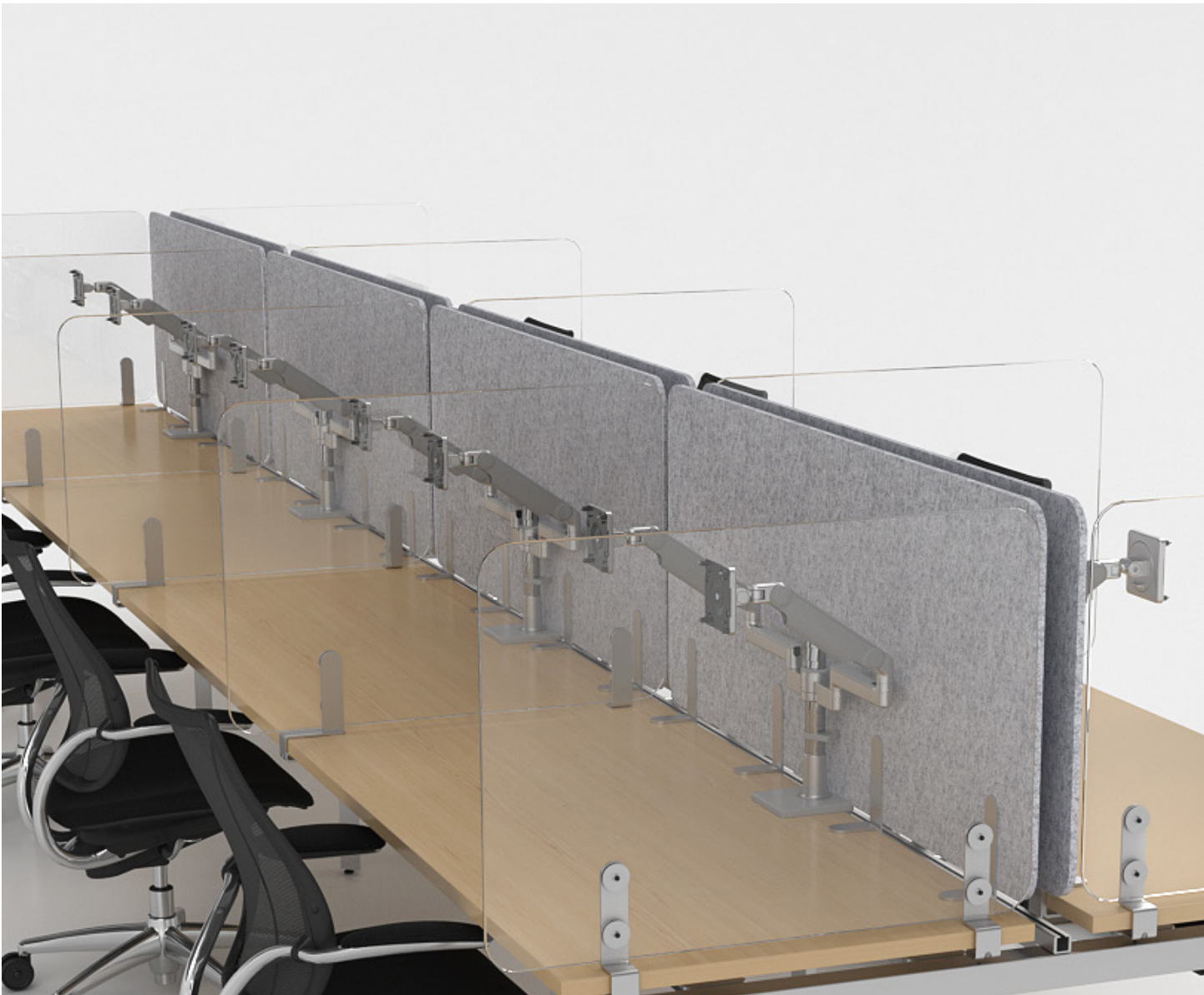
- Compatible with OfficeIQ — Humanscale’s innovative sit/stand alert software
- Compatible with Humanscale’s best-selling line of M2, M8 and M/Flex monitor arms.

*Monitor arms are not included and may be ordered separately. QuickStand Under Desk may also be retrofitted to existing monitor arms.

Build Your Product Code

COMPONENT	CODE		LIST PRICE
Product Group	QSU	QuickStand Under Desk Base	-
Color	W	White	-
	B	Black	-
Monitor Mount Style	M2	M2 Monitor Arm Mount (monitor arm sold separately)	\$1,377
	M8	M8 Monitor Arm Mount (monitor arm sold separately)	\$1,377
	MF	M/Flex Monitor Arm Mount (monitor arm sold separately)	\$1,377
	FS	Single Monitor Mount Fixed (six fixed heights to choose from)	\$1,533
	FD	Wide Crossbar Monitor Mount Fixed (six fixed heights to choose from)	\$1,808
Monitor arm bracket color*	S	Silver	-
	W	White	-
	B	Black	-
	-	Select For Fixed Monitor Mount	-

* Monitor arm bracket color is used for only the M2, M8 and Mflex monitor mount styles. The main assembly is always black or white.



Separation Panels

Studies show that constant peripheral interruptions in the workplace can have a negative effect on employee well-being and productivity. Humanscale's WellGuard Separation Panels offer the perfect balance of visual and acoustical privacy in collaborative open-office desking applications. Designed to accommodate a wide variety of environments, Humanscale's WellGuard Separation Panels are customizable, easy to install or uninstall when no longer required, and are highly durable over the course of time.

WellGuard Separation Panels Pricing

COMPONENT	CODE	DESCRIPTION	CAD LIST PRICE
PRODUCT FAMILY	WG	Wellguard Separation Panel	-
PLACEMENT	-	No Panel	-
	S	Side	-
	E	Extended Side (4" Overhang)	\$79
	R	Rear (no modesty)	-
	M	Rear (with modesty)	\$79
HEIGHTS	24	24"	-
	30	30"	\$158
	36	36"	\$237
WIDTHS	NP	No Panel	-
	24	24" (side only)	\$396
	30	30" (side only)	\$403
	36	36" (rear only)	\$411
	42	42" (rear only)	\$411
	48	48" (rear only)	\$411
	54	54" (rear only)	\$427
	60	60" (rear only)	\$427
	66	66" (rear only)	\$427
	72	72" (rear only)	\$427
MOUNTING OPTION COLORS	N	No Color	-
	S	Silver	-
MOUNTING OPTIONS	N	No Mount	-
	O	Offset Clamp (rear and side)	\$32
	T	Top Clamp (rear and side, not compatible with modesty)	\$32
	D	Top Direct Mount (rear and side)	\$32
	L	L Bracket (rear and side)	\$32
	E	Front Clamp (side only) - <i>Maximum size is 36 x 30</i>	\$32
	F	Freestanding (side only)	\$32
MATERIALS	N	No Panel	-
	F	Felted PET	-
	P	PETG	\$79
MATERIAL COLOR OPTIONS	NP	No Panel	-
	DG	Dark Grey (Felted PET only)	-
	LG	Light Grey (Felted PET only)	-
PETG OPTIONS	CL	Clear PETG	-
TRANSACTION CUTOUTS <i>Available only on PETG, Rear, and Side Options, Left Handed side for Frosted, Cutout of 42/48/54 will not be centered</i>	N	No Cutout	-
	2	2 x 12	\$127
	6	6 x 12	\$127

SPECIFICATION NOTES:

- For panel only with no brackets, please utilize please utilize the N/NP codes. For example, the following format: WG-24NPSNNNP
- 18"/24"/30"/36" wide screens utilize two brackets, 42"/48"/54" wide screens utilize three brackets, and 60"/66"/72" wide screens utilize four brackets
- For front clamp, maximum size is 36"h x 30"w
- All clamp mounts will accomodate desk thicknesses .75-1.4"
- Nominal dimensions for the panels are -2" for the rear and -1" for the side. Please refer to the spec guide for more details.
- PETG panels are 1/4" Thick
- Felted PET panels are 1/2" Thick



Panel Mount Pricing

COMPONENT	CODE	DESCRIPTION	CAD LIST PRICE
PRODUCT FAMILY	WG	Wellguard Separation Panel	-
PLACEMENT	N	No Panel	-
	P	Panel Mount	-
HEIGHTS	12	12"	-
	14	14"	\$32
	16	16"	\$63
	18	18"	\$95
	20	20"	\$127
	22	22"	\$127
	24	24" (actual is 23.61)	\$127
WIDTHS	NP	No Panel	-
	18	18"	\$396
	24	24"	\$396
	30	30"	\$396
	36	36"	\$427
	42	42"	\$427
	48	48"	\$427
	54	54"	\$427
	60	60"	\$475
	66	66"	\$475
	72	72"	\$475
MOUNTING OPTION COLORS	N	No Color	-
	S	Silver	-
MOUNTING OPTIONS	N	No Mount	-
	0	.5 - 1	\$32
	1	1" - 1.5"	\$32
	2	1.5" - 2.5"	\$32
	3	2.25" - 3.5"	\$32
	4	3.5 - 4.5	\$32
MATERIALS	N	No Panel	-
	F	Felted PET	-
	P	PETG	\$79
MATERIAL COLOR OPTIONS	NP	No Panel	-
	DG	Dark Grey (Felted PET only)	-
	LG	Light Grey (Felted PET only)	-
PETG OPTIONS	CL	Clear PETG	-

SPECIFICATION NOTES:

- For panel only with no brackets, please utilize the N/NP codes. For example, the following format: WGNNPNPS(X)
- 18"/24"/30"/36" wide screens utilize two brackets, 42"/48"/54" wide screens utilize three brackets, and 60"/66"/72" wide screens utilize four brackets
- Nominal dimensions for the panel widths for the panel mounts (only) are -1/4" off the total width.
- PETG panels are 1/4" Thick
- Felted PET panels are 1/2" Thick



Replacement Parts

\$28 List Each

WORKSURFACE	BRACKET TYPE	24H	30H	36H
	Offset Clamp	WG24O	WG30O	WG36O
	Top Clamp	WG24T	WG30T	WG36T
	Top Direct Mount	WG24D	WG30D	WG36D
	L Bracket	WG24L	WG30L	WG36L
	Freestanding	WG24F	WG30F	WG36F
	Front Clamp	WG24E	WG30E	
	Rear Foot for Front Clamp	WG24R	WG30R	

PANEL	BRACKET TYPE	12/14/16/18H	20/22/24H
	Size 0	WGPS0	WGPL0
	Size 1 (1-1.5in)	WGPS1	WGPL1
	Size 2 (1.5-2.5in)	WGPS2	WGPL2
	Size 3 (2.5-3.5in)	WGPS3	WGPL3
	Size#4 (3.5-4.5in)	WGPS4	WGPL4



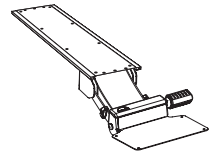
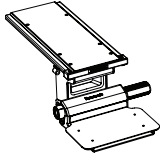
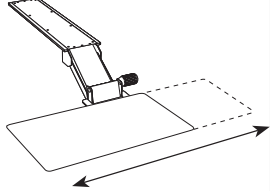
Ergo Tools

A key component of an ergonomic workstation, a well-designed articulating keyboard system works in conjunction with a monitor arm and task chair to promote healthy, comfortable posture. Humanscale keyboard supports lightly bring the work to you, allowing you to sit back in your chair while providing serious protection from carpal tunnel syndrome, neck and back pain, and other musculoskeletal issues.

Build Your Keyboard System Product Code



STEP 1: MECHANISM OPTIONS

		LIST			LIST		
	<p>6G (Black), 6GW (White)</p> <p>Humanscale's most advanced keyboard mechanism to date, the 6G provides intuitive ergonomic adjustability and unmatched styling.</p> <p>7" height adjustment (1.75" above track to 5.25" below track) Comes standard with 21.625" track</p>	\$364			<p>5GSM (Black)</p> <p>The 5G Short Mechanism provides 5G functionality with a shorter arm for small workstations and tight spaces.</p> <p>4" height adjustment (0.5" above track to 3.5" below track) Comes standard with 18" track</p>	\$385	
	<p>6FB (Black), 6FW (White)</p> <p>Designed exclusively for the Float, the 6F incorporates simple dial-a-tilt adjustability and modern styling ideal for all height-adjustable tables.</p> <p>No height adjustment Only for use with height-adjustable tables</p>	\$245			<p>LS</p> <p>The Lateral Slider allows the platform to be adjusted left or right a total of 8" for optimal keyboard positioning. It can be ordered with any keyboard mechanism by indicating "LS" after the mechanism code (e.g., 6GLS or 6GWLS).</p>	\$120	

Build Your Keyboard System Product Code (cont.)



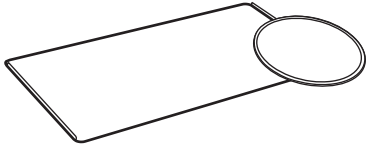
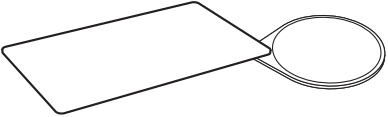
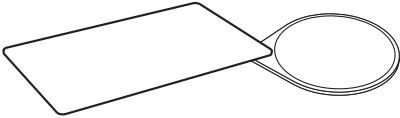
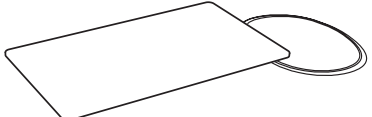
STEP 2: KEYBOARD PLATFORM OPTIONS	CODE	Description	List Price	MAP Price
	900	Standard Available in White with 6GW. Available in Platinum with 5GV or 5GSV.	\$141	\$81
	500	Big Comes with built-in mousing surface. Not available with other mouse platform options. Available in White with 6GW. Available in Platinum with 5GV or 5GSV. If selected with 6FB or 6FW, then 14" track must be used.	\$212	\$116
	950	Standard Compact Available in White with 6GW. Available in Platinum with 5GV or 5GSV.	\$141	\$81
	550	Big Compact Comes with built-in mousing surface. Not available with other mouse platform options. Available in White with 6GW. Available in Platinum with 5GV or 5GSV. If selected with 6FB or 6FW, then 14" track must be used.	\$212	\$116
	259	Float Platform Comes with built-in mousing surface. Not available with other mouse platform options. Only available with 6FB and 6FW. Must be used with 12.5" track.	\$182	\$93
	400	Diagonal Big Comes with built-in mousing surface. Not available with other mouse platform options.	\$212	\$115
	100	Combo	\$141	\$81



Build Your Keyboard System Product Code (cont.)

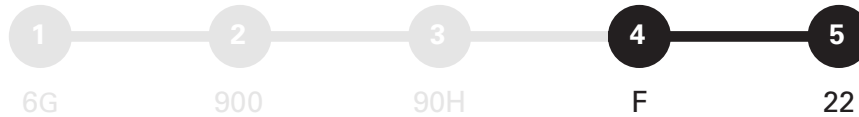


STEP 3: MOUSE PLATFORM OPTIONS

	CODE	DESCRIPTION	LIST
	90	8.5" Clip	\$101
	90H	8.5" High Clip	\$101
		<i>Available in White with 6GW. Available in Platinum with 5GV or 5GSV.</i>	
	11R	8" Swivel Right	\$69
	11L	8" Swivel Left	\$69
	11D	8" Swivel Dual	\$140
		<i>Available in White with 6GW. Not available with 5GV, or 5GSV.</i>	
	12R	10" Swivel Right	\$69
	12L	10" Swivel Left	\$69
	12D	10" Swivel Dual	\$140
		<i>Available in White with 6GW. Not available with 5GV, or 5GSV.</i>	
	81R	M2 Right	\$69
	81L	M2 Left	\$69
	81D	M2 Dual	\$140
		<i>Not available in White with 6GW. Not available with 5GV, or 5GSV.</i>	



Build Your Keyboard System Product Code (cont.)



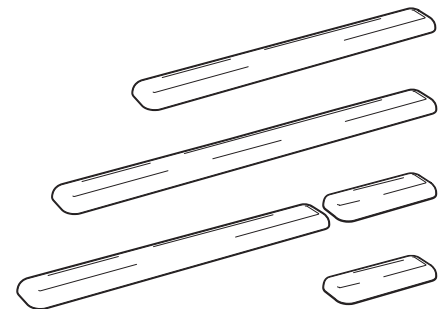
STEP 4: PALM SUPPORT OPTIONS

CODE	DESCRIPTION	COLOR	LIST
F	19" Foam with synthetic leather cover	B/G	\$32
G	19" Gel with synthetic leather cover	B/G	\$57
S	19" Slim palm support	B/G	\$57
F20	20" Foam with synthetic leather cover	B	\$32
G20	20" Gel with synthetic leather cover	B/G	\$57
F27	27" Foam with synthetic leather cover	B	\$38
G27	27" Gel with synthetic leather cover	B	\$65
FMP	20" and 7" Foam with synthetic leather cover	B	\$48
GMP	20" and 7" Gel with synthetic leather cover	B	\$80
SMP27	19" and 7" Slim palm support	B/G	\$80
F25	25" Foam with synthetic leather cover	B	\$38
G25	25" Gel with synthetic leather cover	B	\$64
SMP25	19" and 5" Slim palm support	B/G	\$78
MP7F	7" Foam with synthetic leather cover	B	\$20
MP7G	7" Gel with synthetic leather cover	B/G	\$25
SMP7	7" Slim palm support	B/G	\$25
SMP5	5" Slim palm support	B/G	\$22

All Build-Your-Own palm supports are available in Black only, unless otherwise noted.

B = Black

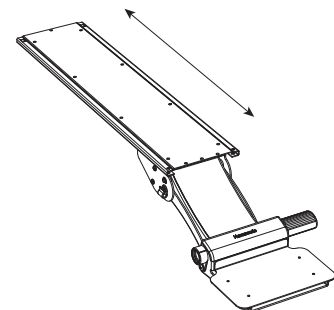
G = Gray



STEP 5: TRACK OPTIONS


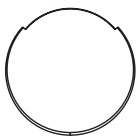
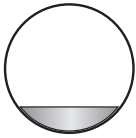
CODE	DESCRIPTION	LIST
27	27" Track	N/C
25	25" Track	N/C
22	Standard 21.625" Track	N/C
18	18" Track	N/C
16	16" Track	N/C
14	14" Track	N/C
12	12.5" Track for 259 board only	N/C
11	11" Track	N/C
Replacement Tracks with Hardware Pack (if ordering without mechanism)		
RT27.	27" Track	\$84
RT25.	25" Track	\$78
RT22.	Standard 21.625" Track	\$62
RT18.	18" Track	\$62
RT16.	16" Track	\$62
RT14.	14" Track	\$62
RT12.	12.5" Track	\$62
RT11.	11" Track	\$62

All keyboard systems ship with track lengths as noted in Step 1 unless a different track length is specified. Please use these codes to order a specific track for your system.

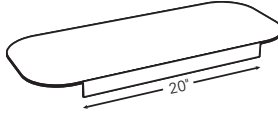
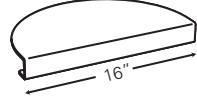


Keyboard System Accessories

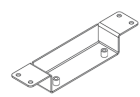
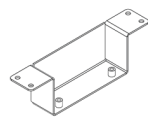
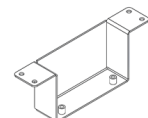
MOUSE PLATFORM OPTIONS

	LIST	
  	HSMP12TIPS	\$7
	8" Ergo Tips Mouse Pad For 8" – 8.5" mouse platforms	
	HSMP12TIPS10	\$9
	9" Ergo Tips Mouse Pad For 10" mouse platforms	
	CMPGEL8	\$38
	8.5" Gel Mouse Pad - Black	
	CMPGEL8SLV	\$38
	8.5" Gel Mouse Pad - Silver For 90 or 90H Clip Mouse	
	CMPGEL	\$38
	10" Gel Mouse Pad - Black	
CMPGELSLV	\$38	
10" Gel Mouse Pad - Silver For 91 or 91H Clip Mouse		
MPGEL8	\$30	
8.5" Gel Mouse Pad		
MPGEL10	\$38	
10" Gel Mouse Pad		

CORNER SLEEVES

	LIST	
 	DE100	\$186
	29.5" x 12.188" Fits desks 1" to 1.5" thick	
	DE200	\$117
	16" diameter DE200 fits desks 1" to 1.5" thick	

DROP-DOWN SPACERS

  	SPACERSM	\$37
	1.25" Spacer	
	SPACERMD	\$47
	2.25" Spacer	
	SPACERLG	\$150
	3" Spacer	


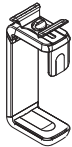

NOTE: Set includes front and back spacers for attaching keyboard mech track




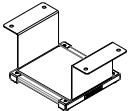
Build Your CPU Product Code

Sample Product Code - CPU20011


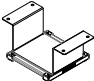

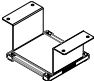
CPU HOLDERS

		LIST
	CPU200 (Black)	\$244
	CPU200W (White)	\$244
Fits CPUs 1" to 5" wide by 12" high Max CPU Weight: 15 lbs. Installed Dimensions: 6.7" Width, CPU Height + 3.8" (plus additional 1.2" with spacer option)		
	CPU600 (Black)	\$272
	CPU600W (White)	\$272
Fits CPUs 3.5" to 9" wide by 12" to 20" high Max CPU Weight: 50 lbs. Installed Dimensions: 7" or CPU Width + 1.7" (whichever is greater), CPU Height + 3.6"		
	TCH - UNDERDESK	\$194
	TCH - CROSSBEAM	\$231
Thin Client Holder accommodates 1"-2" thickness. Height: 2.3"-3.3" (58-84mm) Width: 5.5" (140mm) Depth: 4.8" (122mm) Weight Capacity: 5 lbs (2.27 kg)		

CPU MOUNTS

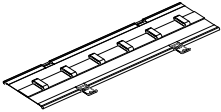
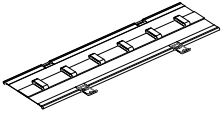
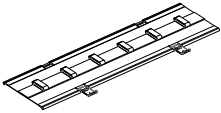


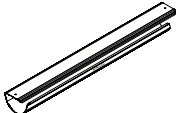

		LIST
	11	11" Track N/C
	16	16" Track N/C
	22	22" Track N/C
	STK14	Swivel Track Upgrade Kit for CPU450 \$50
	FCBS (Silver)	Float CPU Bracket N/C
	FCBW (White)	Float CPU Bracket N/C
	FCBB (Black)	Float CPU Bracket N/C




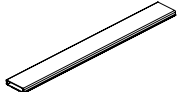
CPU HOLDERS - REPLACEMENT PARTS

		LIST
CPU ACCESSORIES		
	CPU555STOOL	\$39
	Replacement Tool Kit for CPU555SEC (comes standard with CPU555SEC)	
	CPU555SECKIT	\$72
	Retrofit Security Kit for CPU555 (comes standard with CPU555SEC)	
REPLACEMENT TRACKS WITH HARDWARE		
	RT11	11" Track \$62
	RT16	16" Track \$62
	RT22	22" Track \$62
	STK14	Swivel Track Upgrade Kit for CPU450 \$50
REPLACEMENT BRACKET WITH HARDWARE		
	FCBS Float CPU Bracket (Silver)	\$92
	FCBW Float CPU Bracket (White)	\$92
	FCBB Float CPU Bracket (Black)	\$92

Ergonomic Accessories

CABLE MANAGEMENT

		LIST
NEATTECH — MINI		\$227
	NT1MGG (Pinstripe Graphite Basket / Gray trim) NT1MBB (Catena Black Basket / Black Trim) NT1MPG (Catena Poppy Seed Basket / Gray Trim) NT1MWG (Pinstripe White Basket / Gray Trim) 24" L x 4.5" D x 4" W	
NEATTECH — SMALL		\$244
	NT1SGG (Pinstripe Graphite Basket / Gray trim) NT1SBB (Catena Black Basket / Black Trim) NT1SPG (Catena Poppy Seed Basket / Gray Trim) NT1SWG (Pinstripe White Basket / Gray Trim) 38" L x 4.5" D x 4" W	
NEATTECH — LARGE		\$260
	NT1LGG (Pinstripe Graphite Basket / Gray trim) NT1LBB (Catena Black Basket / Black Trim) NT1LPG (Catena Poppy Seed Basket / Gray Trim) NT1LWG (Pinstripe White Basket / Gray Trim) 48" L x 4.5" D x 4" W	
NEATLINKS — SMALL 17"		\$31
	NL1S17B (Black) NL1S17G (Gray) Small 2.6" Diameter, 17" Length	
NEATLINKS — LARGE 17"		\$33
	NL1L17B (Black) NL1L17G (Gray) Large 3.6" Diameter, 17" Length	
NEATLINKS — SMALL 24"		\$33
	NL1S24B (Black) NL1S24G (Gray) Small 2.6" Diameter, 24" Length	
NEATLINKS — LARGE 24"		\$36
	NL1L24B (Black) NL1L24G (Gray) Large 3.6" Diameter, 24" Length	






		LIST
NEATUP for FLOAT		\$450
	NU1NAFTW (White Finish) NU1NAFTB (Black Finish) NU1NAFTG (Gray Finish) Available with Classic Foot only. Available for Standard Range tables only.	
NEATUP for eFLOAT LITE		\$450
	NU1NAELW (White Finish) NU1NAELB (Black Finish) NU1NAELG (Gray Finish) Available with Classic Foot only. Available for Standard Range tables only.	
NEATUP for eFLOAT FLEX		\$450
	NU1NAEFW (White Finish) NU1NAEFB (Black Finish) NU1NAEFG (Gray Finish) Available with Classic Foot only. Available for Standard Range tables only.	
NEATLINKS SLIM		\$40
	NL1SL21W (White) NL1SL21B (Black) NL1SL21G (Gray) 2.75" Diameter, 20.6" Length	



Ergonomic Accessories

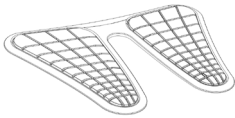
LAPTOP HOLDERS & ACCESSORIES

LIST

Notebook Manager		
	L6 Maximum Dimensions: 13.5" W x 10.9" D x 10.1" H 7.3" height adjustability (Accommodates notebook computers at least 10" wide and 6" deep, and up to 1.5" thick)	\$234
Tech Tray		
	TT 12" W x 14" D Comes standard with 22" track. Sits 3.5" below track.	\$154
Tech Tray Short		
	TT-SHORT 10" W x 14" Comes standard with 22" track. Sits 3.5" below track.	\$137
Pro Click Mouse		
	PROCLICK-NA Highly functional, the tilt-click scroll wheel and each secondary button are easily accessible. Wireless.	\$250
NeatHub		
	NH1NAPPCAB (black)	\$343
	NH1NAPPCAW (white)	\$343
	Includes 2 AC power outlets, 1 USB-C outlet and 1 USB-A outlet 5.6" W x 4.2" D x 3.6" H 1.84 lbs	
NeatCharge		
	NC2NAGSE Wirelessly charges Qi-compatible devices up to 10W. 5.14" W x 0.58" H 7.94 oz	\$321




FLOOR MAT

LIST

Monarch Floor Mat		
	MONARCH-G (Grey) 20" H x 29" W x 0.8" D	\$427

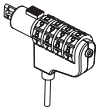

FOOT RESTS

LIST

Foot Rocker 500		
	FR500C (Cherry)	\$195
	FR500K (Black) 12.25" D x 16.75" W x 4.5" H	\$195
Foot Rocker 300		
	FR300 (Natural) 11.875" D x 16" W Height Range: 3.75" to 6.75"	\$195
Foot Rocker 100		
	FR100 (Natural) 11.75" D x 19" W x 3.375" H	\$195

SECURITY LOCK

LIST

Security Lock		
	SECLOCK For CPUs, laptops, flat panels, etc. Combination lock with 3' cord. Fits all units with standard security keyhole	\$44
Keyed Security Lock		
	TT1 For CPUs, laptops, flat panels, etc. Keyed lock with 2' cord. Fits all units with standard security keyhole	\$44

